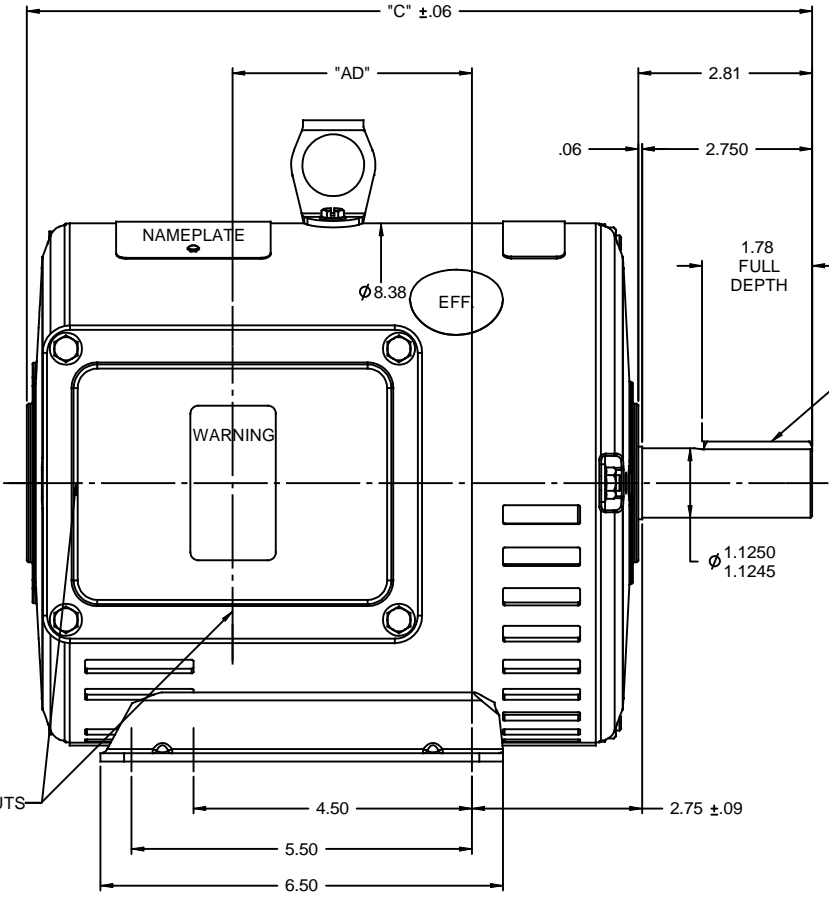


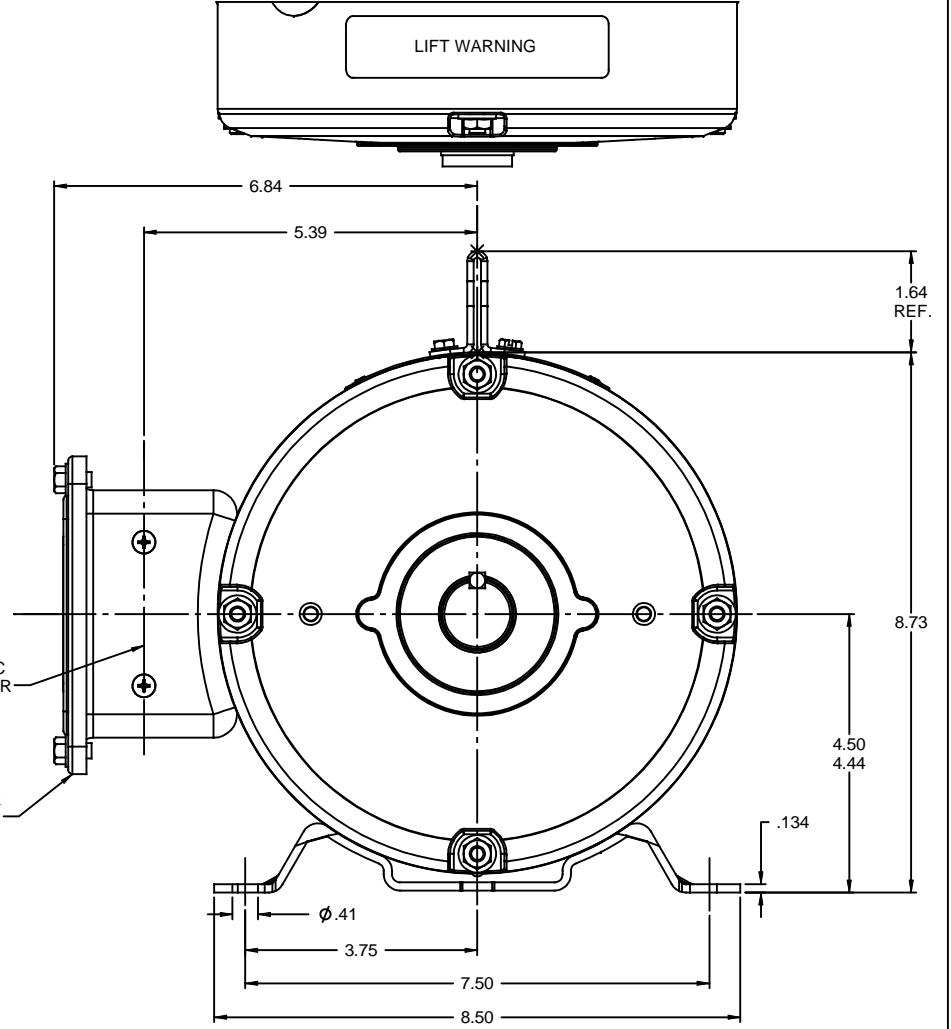
RBC PROPRIETARY AND CONFIDENTIAL INFORMATION  
 This document is the property of REGAL BELOIT CORPORATION ("RBC") including its subsidiaries and divisions and contains proprietary information of RBC. This document is loaned on the express condition that neither it nor the information contained therein shall be disclosed to others without the express written consent of RBC, and that the information shall be used by the recipient only as approved expressly by RBC. This document shall be returned to RBC upon its request. This document may be subject to certain restrictions under U.S. export control laws and regulations.



25 SQ. X 1.75 KEY

AUTOMATIC PROTECTOR  
 DECAL-CONNECTION UNDER COVER WHEN REQ'D.

GASKETS THROUGHOUT



DASH NO.	"C"	"AD"
850	12.69	3.88
900	13.19	4.38
950	13.69	4.88
1000	14.19	5.38
1050	14.69	5.88
1100	15.19	6.38
1150	15.69	6.88

		TOLERANCES UNLESS SPECIFIED:		DRAWN RDW 2/28/03	
		DEC INCHES		CHK	
		X ±.1		APPR SW 2/28/03	
		XX ±.03		SCALE 1:2	
		XXX ±.005		REF 035464	
- UPDATED & REDRAWN IN SOLIDWORKS		LST 12/23/2009		FMF	
NO		REVISION		PAGE OF	
		BY & DATE		REV	
		CHK ANG ±1/2°		FINISH	
		RFP		PREV	
		THIRD ANGLE PROJECTION		SIZE DRAWING NO	
		NETWORK FILE NAME		B 035468	



TITLE OUTLINE - 180T FRAME  
 DRIP PROOF - RIGID  
 MATL GENERAL PURPOSE