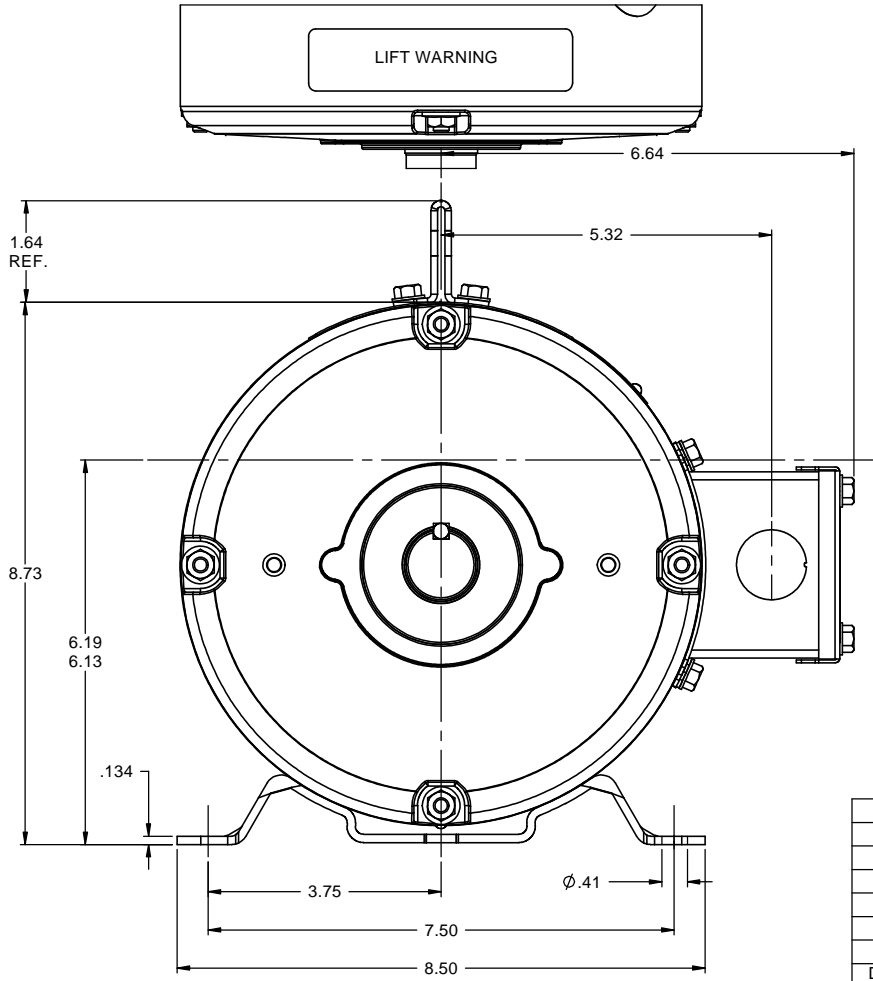
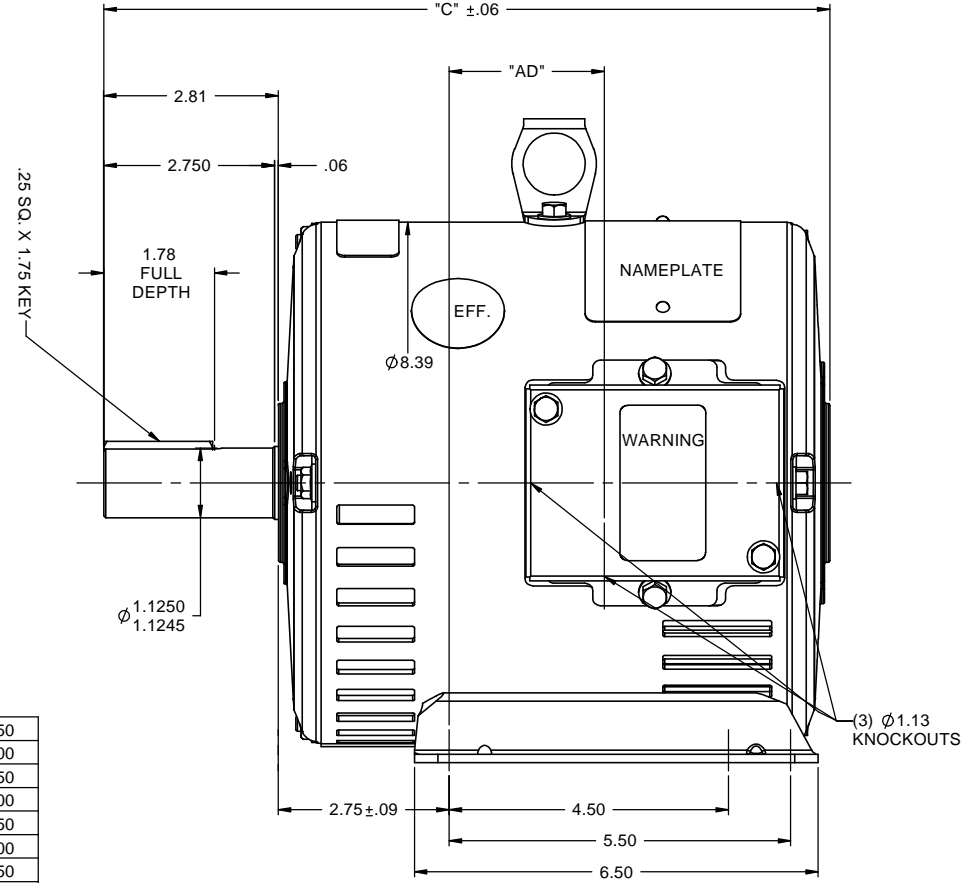



RBC PROPRIETARY AND CONFIDENTIAL INFORMATION  
 This document is the property of REGAL BELOIT CORPORATION ("RBC") including its subsidiaries and divisions and contains proprietary information of RBC. This document is loaned on the express condition that neither it nor the information contained therein shall be disclosed to others without the express written consent of RBC, and that the information shall be used by the recipient only as approved expressly by RBC. This document shall be returned to RBC upon its request. This document may be subject to certain restrictions under U.S. export control laws and regulations.



1150	15.69	6.50
1100	15.19	6.00
1050	14.69	5.50
1000	14.19	5.00
950	13.69	4.50
900	13.19	4.00
850	12.69	3.50
DASH NO	"C"	"AD"



GASKETS THROUGHOUT

		TOLERANCES UNLESS SPECIFIED		 <b>REGAL-BELOIT CORPORATION</b>		DRAWN RDW 2/26/03	
		DEC	INCHES			CHK	APPR SW 2/26/03
		X	±.1	TITLE OUTLINE - 180T FRAME		REF 035488	FMF
		XX	±.03	DRIP PROOF - RIGID		PAGE	OF
		XXX	±.005	MATL GENERAL PURPOSE - F2 MOUNT		REV	
- UPDATED & REDRAWN IN SOLIDWORKS		LST 12/23/2009	XX	XXXX	±.0005	FINISH	
NO	REVISION	BY & DATE	CHK	ANG	±1/2°	PREV	SIZE DRAWING NO
		THIRD ANGLE PROJECTION		NETWORK FILE NAME		SIZE <b>B</b>	DRAWING NO <b>035466</b>
						REV	-