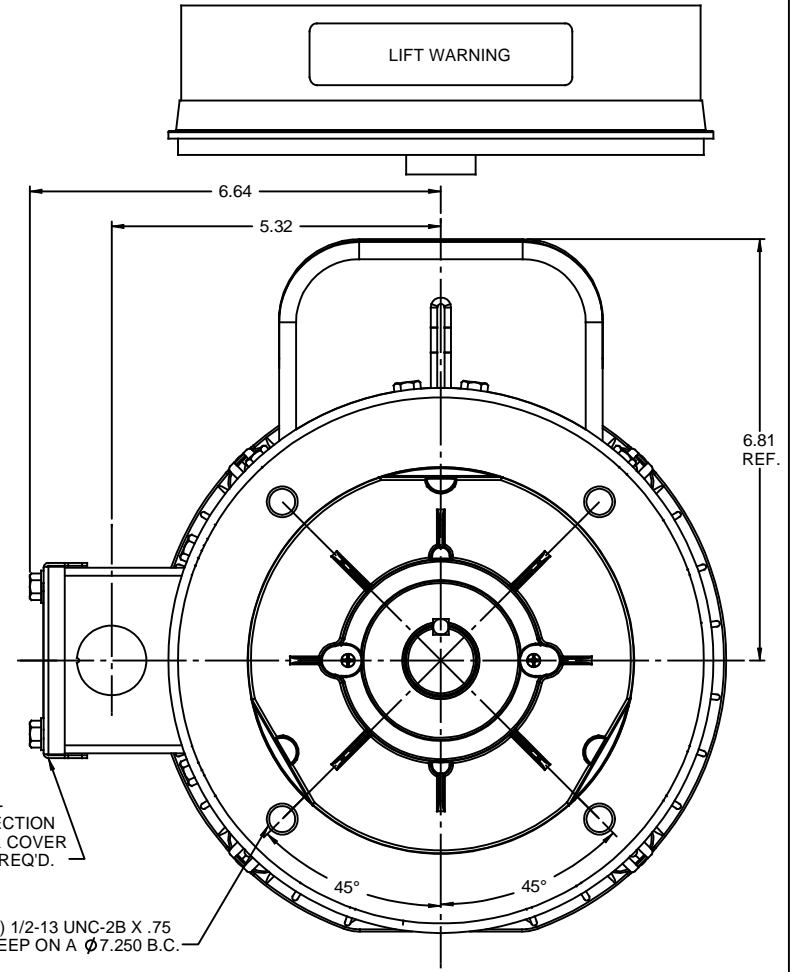
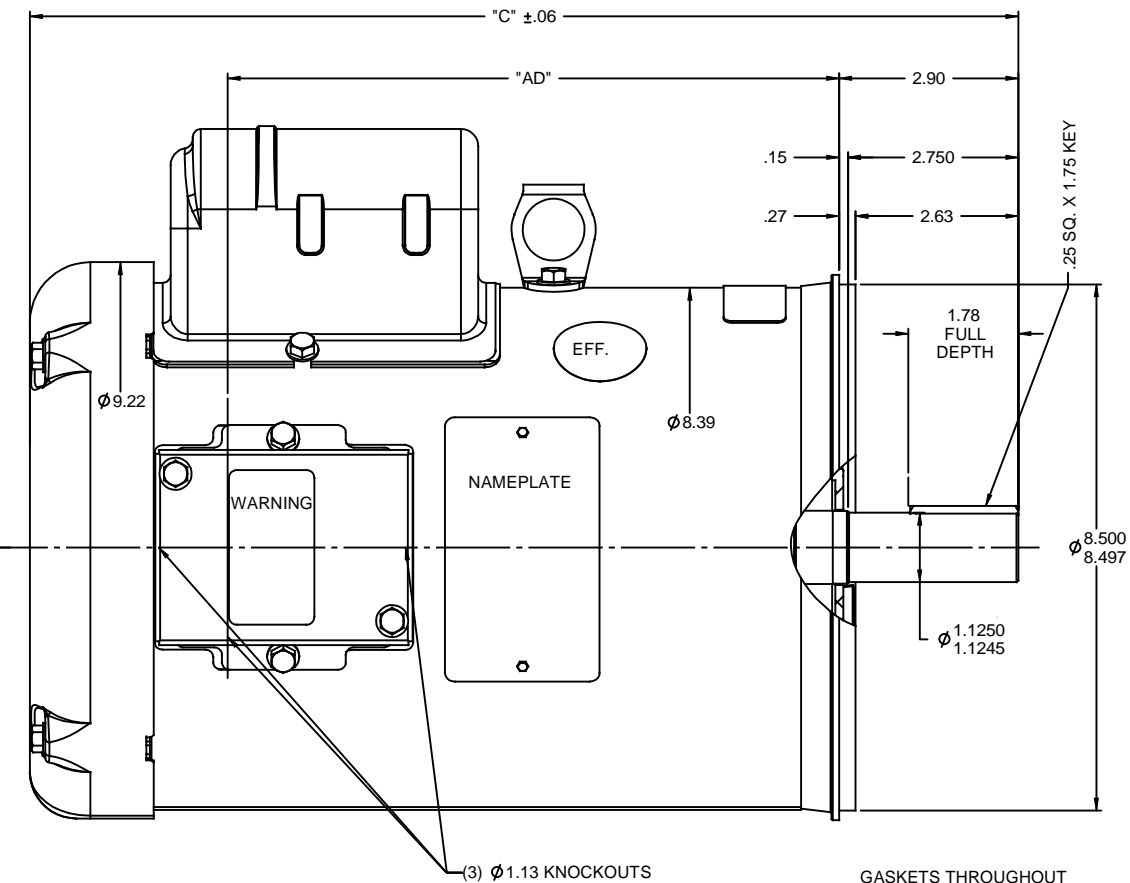


RBC PROPRIETARY AND CONFIDENTIAL INFORMATION  
 This document is the property of REGAL BELOIT CORPORATION ("RBC") including its subsidiaries and divisions and contains proprietary information of RBC. This document is loaned on the express condition that neither it nor the information contained therein shall be disclosed to others without the express written consent of RBC, and that the information shall be used by the recipient only as approved expressly by RBC. This document shall be returned to RBC upon its request. This document may be subject to certain restrictions under U.S. export control laws and regulations.



DASH NO.	"C"	"AD"
800	13.47	7.38
850	13.97	7.88
900	14.47	8.38
950	14.97	8.88
1000	15.47	9.38
1050	15.97	9.88
1100	16.47	10.38
1150	16.97	10.88
1200	17.47	11.38

GASKETS THROUGHOUT  
 MAXIMUM FACE RUNOUT TO BE .004 T.I.R.  
 MAXIMUM PILOT ECCENTRICITY TO BE .004 T.I.R.  
 PERMISSIBLE SHAFT RUNOUT TO BE .002 T.I.R.

NO.		REVISION	BY & DATE	CHK	ANG	FINISH	SIZE	DRAWING NO	REV
				RFP		PREV	B	035746	

TOLERANCES UNLESS SPECIFIED		REGAL BELOIT CORPORATION		DRAWN
DEC	INCHES	REGAL BELOIT CORPORATION		LST 1/9/10
X	±.1			CHK
.XX	±.03	TITLE OUTLINE - 184TC FRAME		APPR
.XXX	±.005	TEFC - "C" FACE		SCALE 1:2
.XXX	±.0005	MAT'L		REF
				FMF
				PAGE OF
				REV