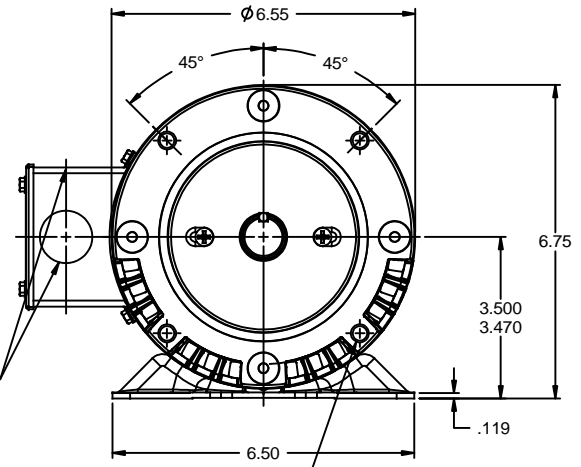
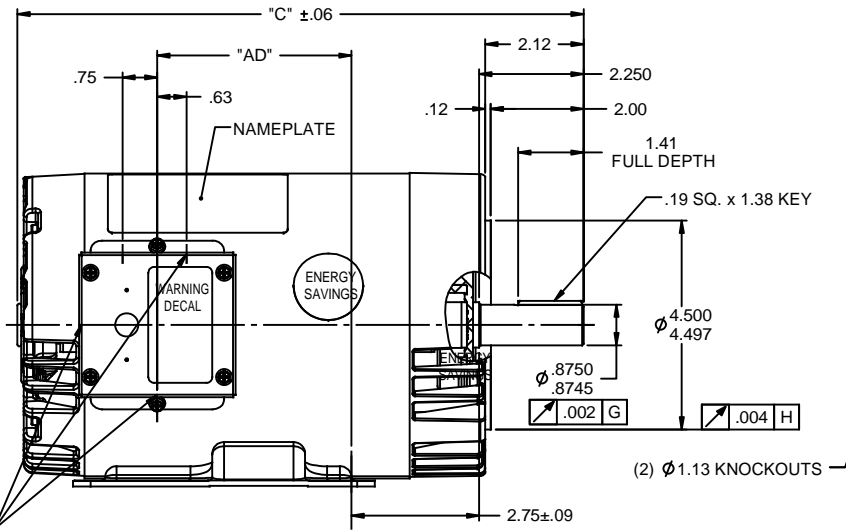
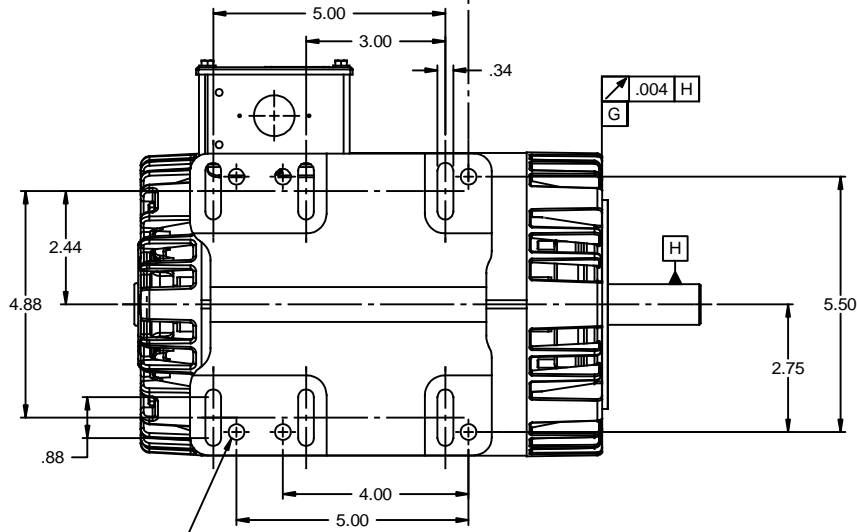


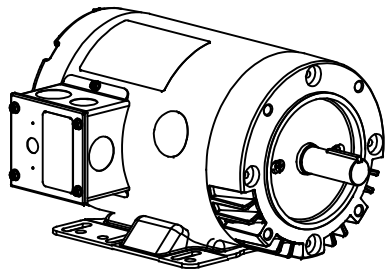
(3) ϕ .88 KNOCKOUTS



3/8-16 UNC - 2B x .56 DEEP
(4) REQ'D. ON A ϕ 5.875 B.C.



(6) ϕ .34 HOLES



DASH NO.	"C"	"AD"
650	11.69	3.69
700	12.19	4.19
750	12.69	4.69
800	13.19	5.19
850	13.69	5.69
900	14.19	6.19

REVISION		BY & DATE	CHK	ANG	±1/2"	FINISH	SIZE	DRAWING NO	REV
NO							B	028992	

TOLERANCES UNLESS SPECIFIED		LEESON		ELECTRIC MOTORS GEARMOTORS AND DRIVES		DRAWN PG 5/17/10	
DEC	INCHES	TITLE OUTLINE - 140TC/56HCZ FRAME OPEN DRIP PROOF - "C" FACE		SCALE 3:8 REF 028669		PAGE OF	
X	±.1						
.XX	±.03						
.XXX	±.005						
.XXXX	±.0005	MAT'L					
THIRD ANGLE PROJECTION		RFP		PREV		NETWORK FILE NAME 028992	