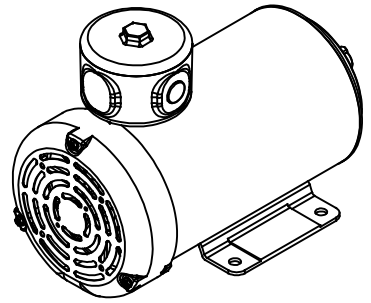


| DASH NO | "C" | "AD" |
|---------|-------|------|
| 625 | 10.23 | 3.74 |
| 650 | 10.48 | 3.99 |
| 675 | 10.73 | 4.24 |
| 700 | 10.98 | 4.49 |
| 725 | 11.23 | 4.74 |
| 750 | 11.48 | 4.99 |
| 775 | 11.73 | 5.24 |
| 800 | 11.98 | 5.49 |
| 825 | 12.23 | 5.74 |
| 850 | 12.48 | 5.99 |



| | | TOLERANCES UNLESS SPECIFIED | | LEESON ELECTRIC MOTORS GEARMOTORS AND DRIVES | | DRAWN VV 10/14/09 | |
|----|--|-----------------------------|-------------------|--|---------------------------------|-------------------|------------|
| | | DEC | INCHES | | | CHK | |
| | | x | ±.1 | | | APPR | |
| 03 | RELOCATE NAMEPLATE ISAAC 11-3874 | LST 9/15/2011 | XX .xx ±.03 | TITLE | OUTLINE - 48 FR STAINLESS STEEL | SCALE 1:2 | |
| 02 | ADD FRAME WELD & NAMEPLATE ISAAC 11-2475 | LST 5/31/2011 | XX .xxx ±.005 | | IEC-80 B14 FRAME | REF | |
| 01 | LEAD EXIT WAS AT 9 O'CLOCK ISAAC 10-4197 | SAD 10/13/2010 | GWS .xxx ±.0005 | MATL | | FMF 103402.00 | |
| NO | REVISION | BY & DATE | CHK ANG ±1/2° | FINISH | | PAGE | OF |
| | | | RFP | PREV | | SIZE | DRAWING NO |
| | | | NETWORK FILE NAME | 032000 | | B | 032000 |
| | | | | | | | REV |
| | | | | | | | 03 |