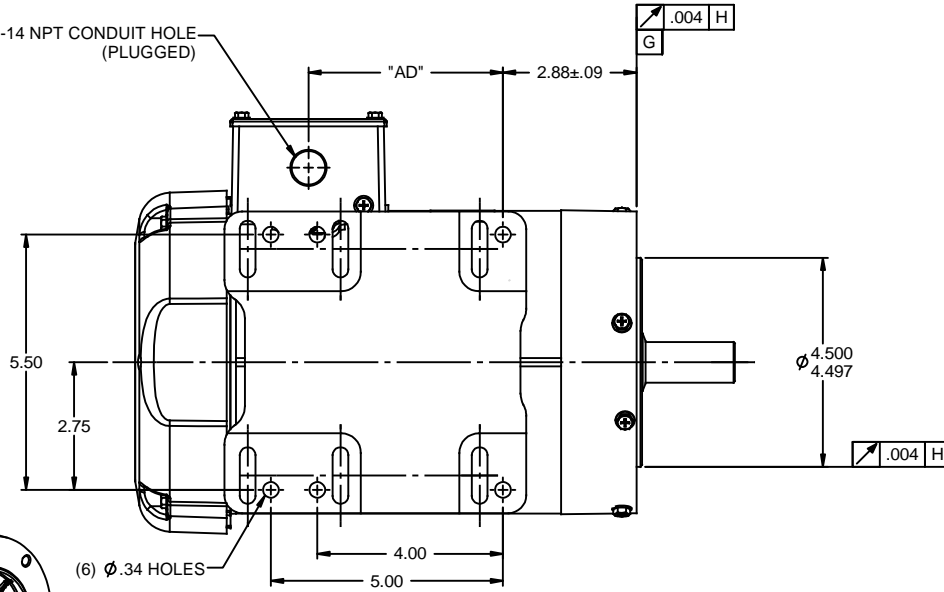


(1) 1/2-14 NPT CONDUIT HOLE (PLUGGED)

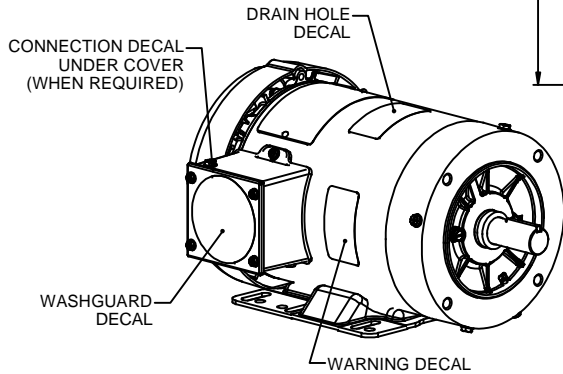


3/8-16 UNC-2B x .56 DEEP  
(4) REQ'D. ON A Ø5.875 B.C.

### WASHGUARD MOTOR

- SPECIAL FEATURES:
1. SHAFT SEALS & V-RING.
  2. PLUGGED DRAIN HOLES IN ENDBELLS & CONDUIT BOX.
  3. BUNA-N GASKETS THROUGHOUT.
  4. STAINLESS STEEL SHAFT, HARDWARE & NAMEPLATE.

DASH NO.	"C"	"AD"
700	12.93	4.19
750	13.43	4.69
775	13.68	4.94
800	13.93	5.19
850	14.43	5.69



TOLERANCES UNLESS SPECIFIED		LEESON	ELECTRIC MOTORS GEARMOTORS AND DRIVES	DRAWN PG 02/01/11
DEC	INCHES			
x	±.1			APPR
.xx	±.03		TITLE OUTLINE - 140TC FRAME	SCALE 3:8
.xxx	±.005		TEFC - RIGID "C" FACE	REF 028811
.xxxx	±.0005		MATL WASHGUARD	FMF 121867.00
NO	REVISION	BY & DATE	CHK ANG ±1/2"	FINISH
	THIRD ANGLE PROJECTION		RFP	PREV
			NETWORK FILE NAME 607-0003	SIZE B
				DRAWING NO 607-0003
				PAGE OF
				REV