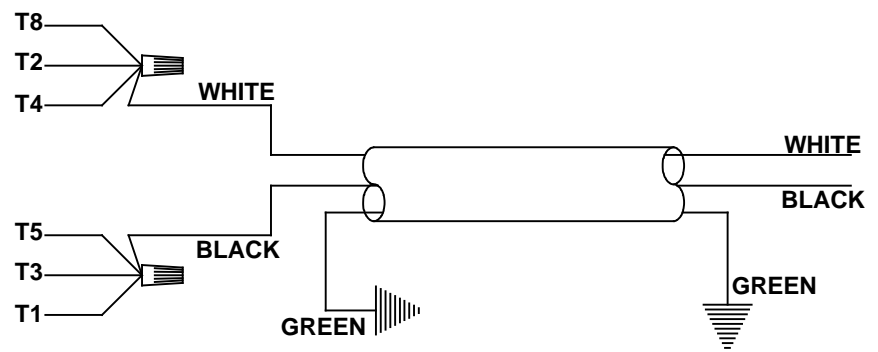
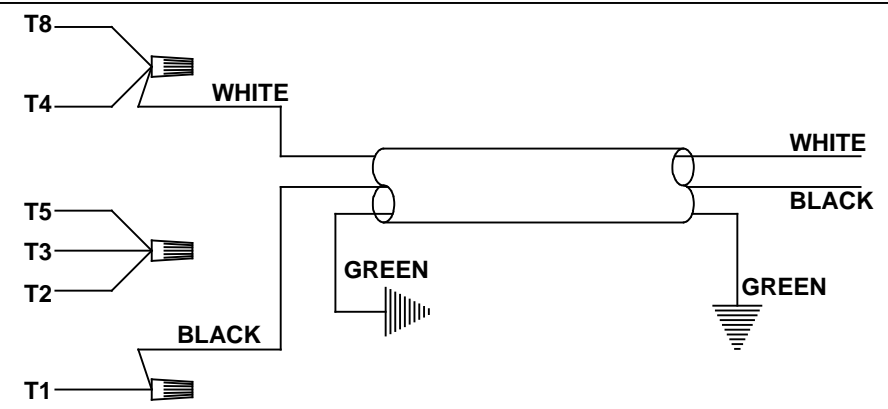


FIG. 1



LOW VOLTAGE - CW ROTATION FACING LEADS

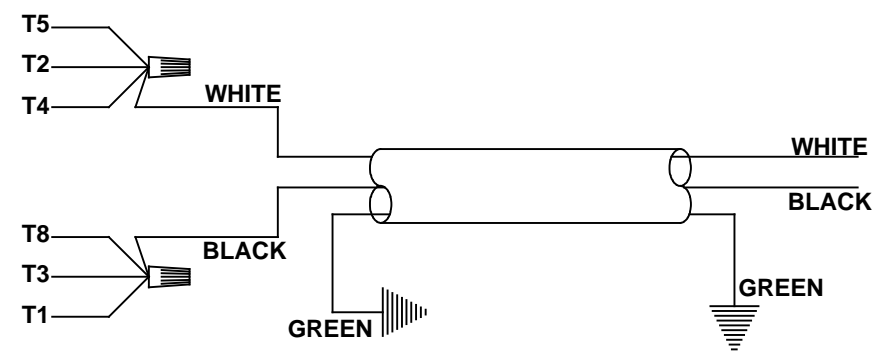
FIG 2



HIGH VOLTAGE - CW ROTATION FACING LEADS

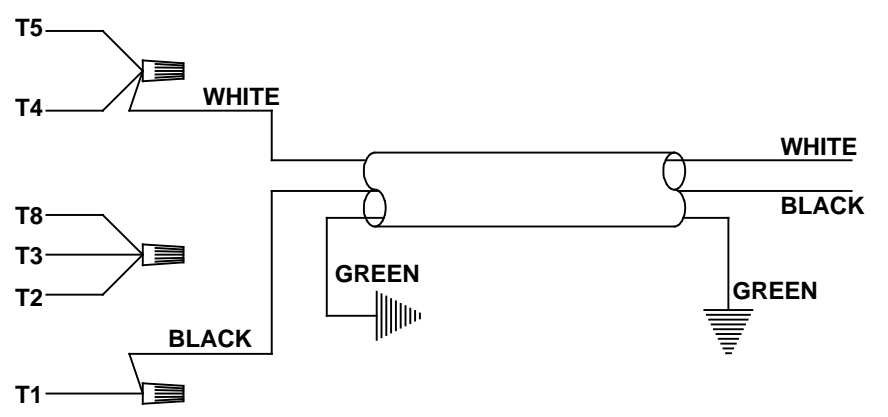
**WIRE NUT
AND TAPE
(006050-04)**

FIG 3




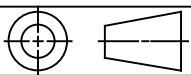
LOW VOLTAGE - CCW ROTATION FACING LEADS

FIG 4



HIGH VOLTAGE - CCW ROTATION FACING LEADS

RBC PROPRIETARY AND CONFIDENTIAL INFORMATION
 This document is the property of REGAL BELOIT CORPORATION ("RBC") including its subsidiaries and divisions and contains proprietary information of RBC. This document is loaned on the express condition that neither it nor the information contained therein shall be disclosed to others without the express written consent of RBC, and that the information shall be used by the recipient only as approved expressly by RBC. This document shall be returned to RBC upon its request. This document may be subject to certain restrictions under U.S. export control laws and regulations.

				TOLERANCES UNLESS SPECIFIED		 ELECTRIC MOTORS GEARMOTORS AND DRIVES	DRAWN WLW 09/03/76 CHK APPR WRK 09/15/76	
--	REDRAWN IN SOLIDWORKS	VJB 02/17/11	X	DEC	±.1		TITLE EXTERNAL WIRING DIAGRAM W/CORD MAT'L FINISH	SCALE 1:1
03	CREATED NEW VIEWS	EPB 02/28/01	.XX		±.01			REF
02	DRAWN FOR CCW ROTATION WAS CW ROTATION	EPB 09/20/00	.XXX		±.005		FMF	
01	REDRAWN TO CAD	BJB 05/17/00	DWF	.XXXX	±.0005		PAGE OF	
NO	REVISION	BY & DATE	CHK	ANG	±1/2°	PREV		
THIRD ANGLE PROJECTION 			RFP	NETWORK FILE NAME 00500505		SIZE A	DRAWING NO 005005-05	REV --