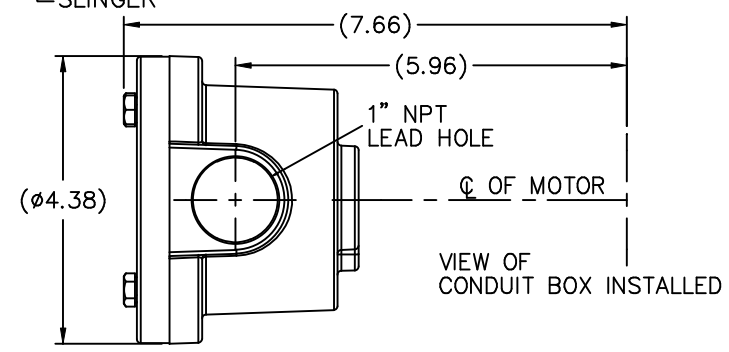
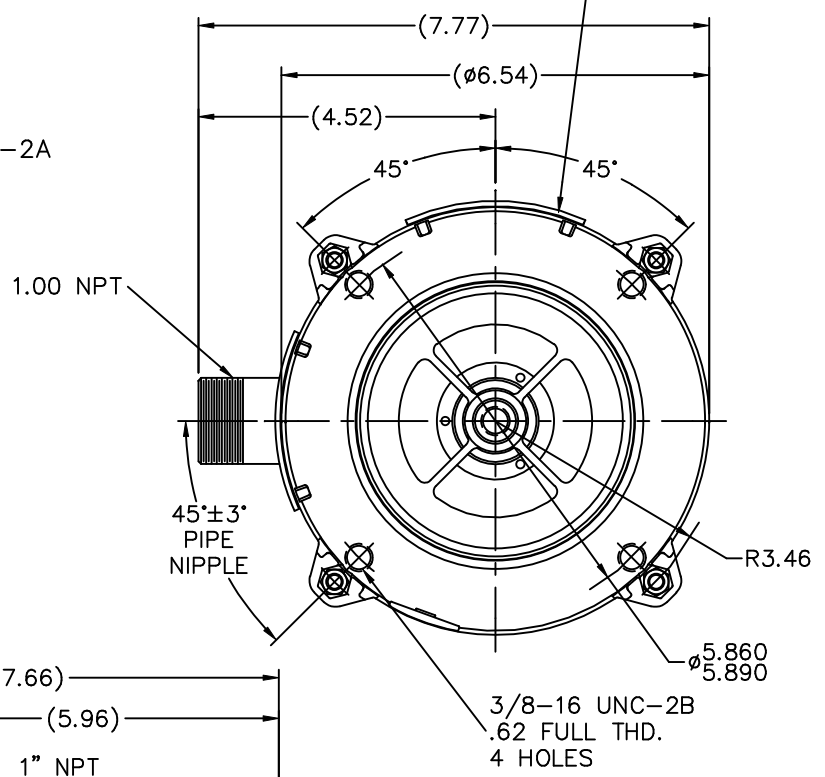
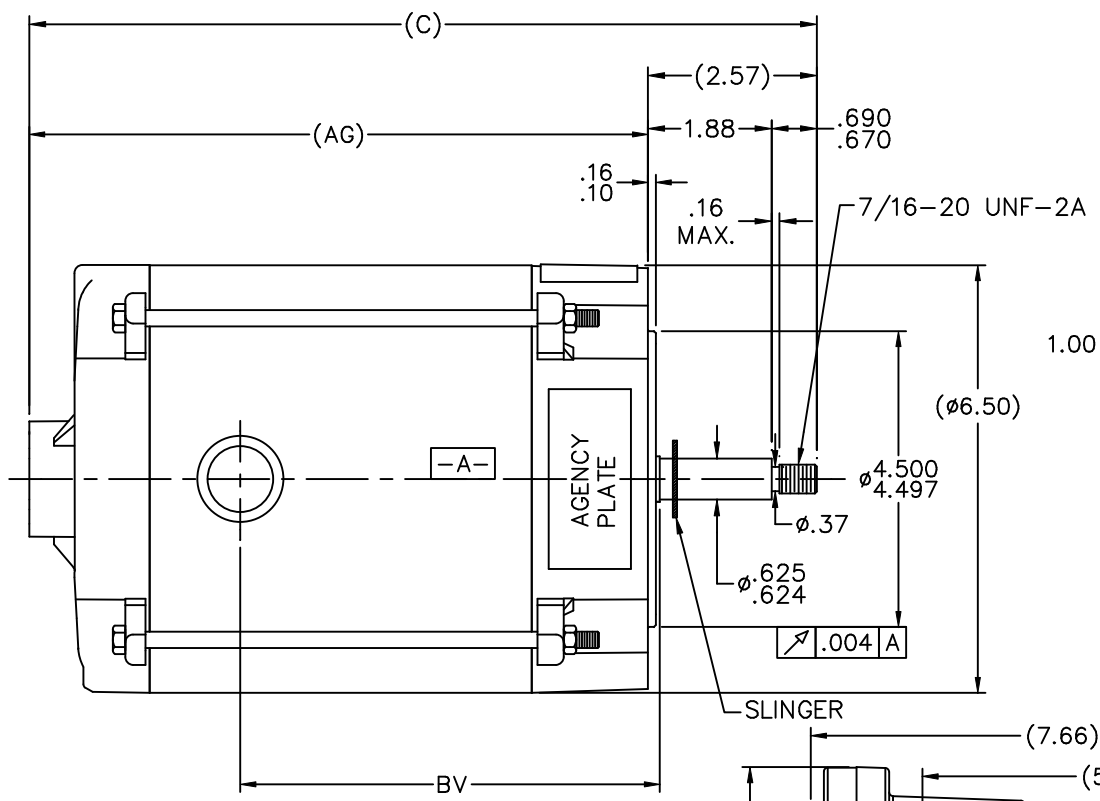


107322LE

PLATES TO BE READ FROM SHAFT EXT. END.



DASH	(C)	(AG)	BV		
631	12.48	9.91	6.90		
681	12.98	10.41	7.40		
731	13.48	10.91	7.90		
781	13.98	11.41	8.40		
831	14.48	11.91	8.90		
881	14.98	12.41	9.40		
931	15.48	12.91	9.90		
981	15.98	13.41	10.40		

TOLERANCES UNLESS SPECIFIED		DEC.		INCHES			ELECTRIC MOTORS GEARMOTORS AND DRIVES		DRAWN RAD 12/24/2007	
.X	±.1						CHK	RAD 12/24/2007	APPD VL 12/24/2007	
.XX	±.03						TITLE OUTLINE - 'C' FACE		SCALE 17-32	
.XXX	±.005						56 FR. - EXP. PR. NONVENT-JET PUMP		REF	
.XXXX	±.0005					MAT'L		FMF 116187.00		
NO.	REVISION	BY & DATE	CHK	ANG	±7'30"	FINISH		PREV		
THIS DRAWING IN DESIGN AND DETAIL IS OUR PROPERTY AND MUST NOT BE USED EXCEPT IN CONNECTION WITH OUR WORK ALL RIGHTS OF DESIGN AND INVENTION ARE RESERVED THIS IS AN ELECTRONICALLY GENERATED DOCUMENT - DO NOT SCALE THIS PRINT			RFP	12/24/2007	CAD FILE 107322LE		SIZE	DRAWING NO.	PAGE	OF
			DIST	WP			B	107322LE		REV.