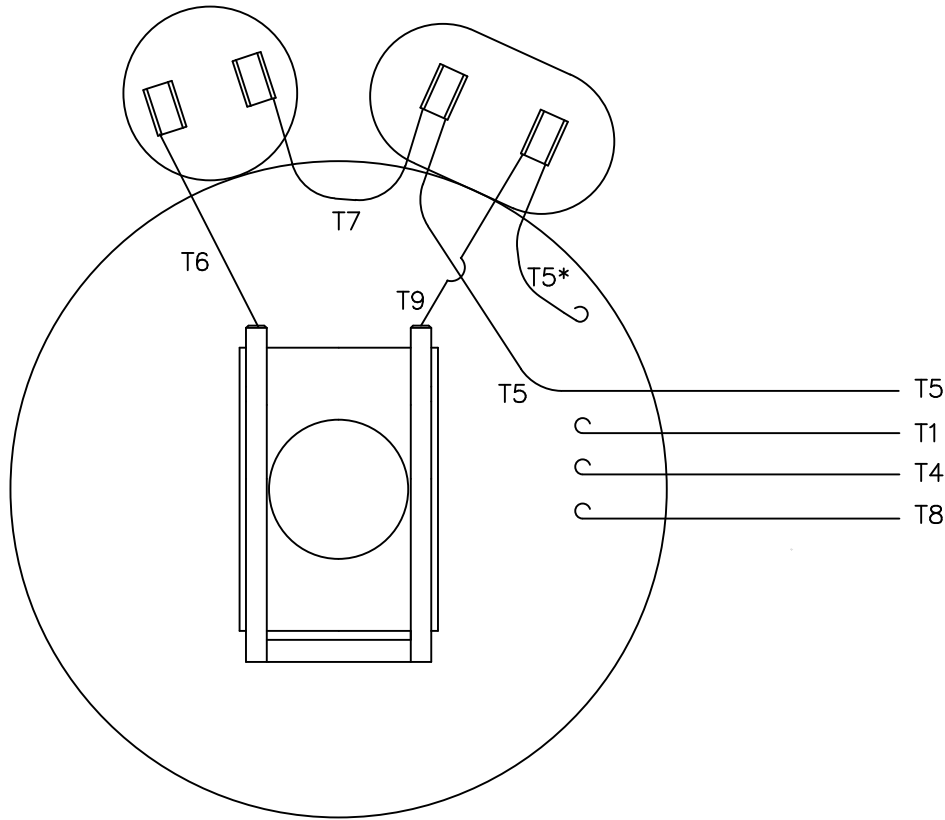
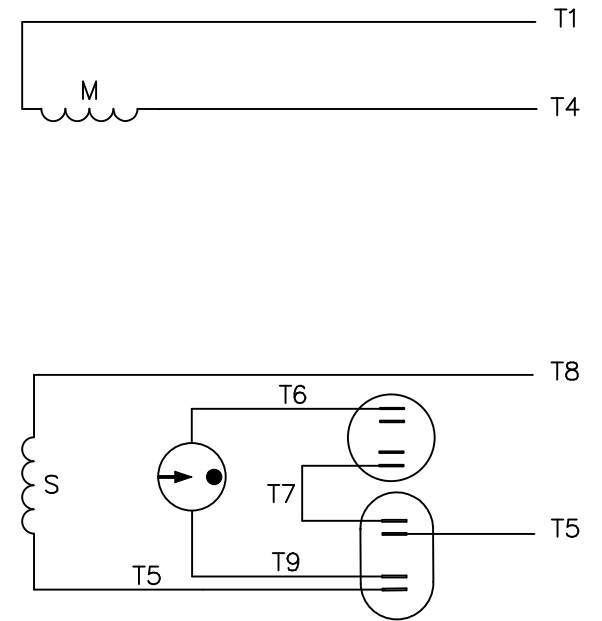


VIEW FROM OUTSIDE OF MOTOR AT SWITCH END.




LINE LEADS



ROTATION FACING LEAD END	L1	L2
C.C.W.	T1, T8	T4, T5
C.W.	T1, T5	T4, T8

* THIS LEAD MAY BE WHITE

		TOLERANCES UNLESS SPECIFIED				DRAWN AK 08/28/09	
		DEC.	INCHES			CHK KVN 08/28/09	
		.X	±.1			APPD AK 08/28/09	
		.XX	±.01			SCALE 1=1	
		.XXX	±.005			REF	
		.XXXX	±.0005	MAT'L.	DECAL - 004018	FMF	LM24718
NO.	REVISION	BY & DATE	CHK	ANG	±1/2'	FINISH	PREV
THIS DRAWING IN DESIGN AND DETAIL IS OUR PROPERTY AND MUST NOT BE USED EXCEPT IN CONNECTION WITH OUR WORK ALL RIGHTS OF DESIGN AND INVENTION ARE RESERVED THIS IS AN ELECTRONICALLY GENERATED DOCUMENT - DO NOT SCALE THIS PRINT			RFP	CAD FILE 00501801LN		SIZE A	DRAWING NO. 005018-01LN
			DIST	BRF-NLV			REV.