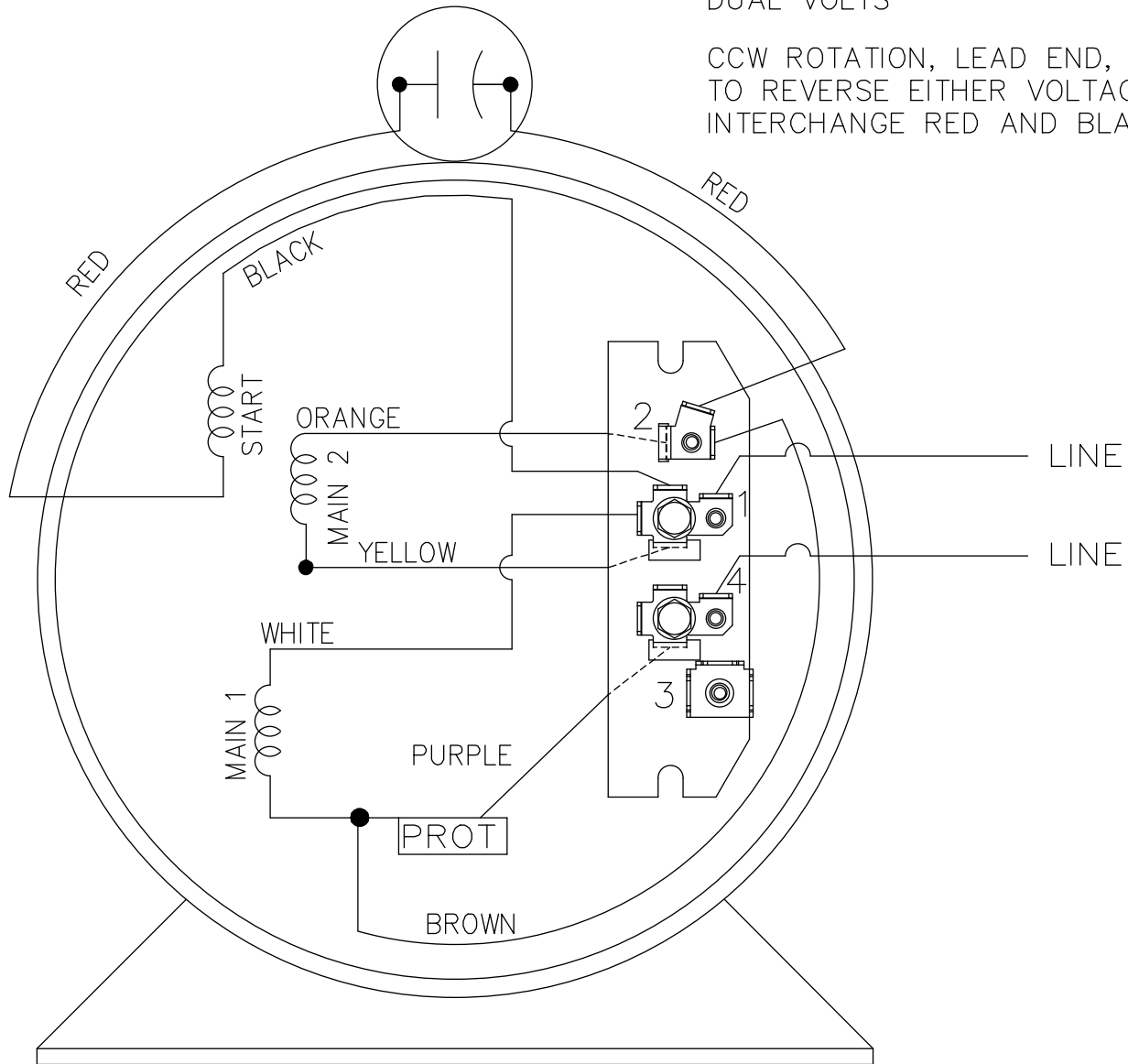
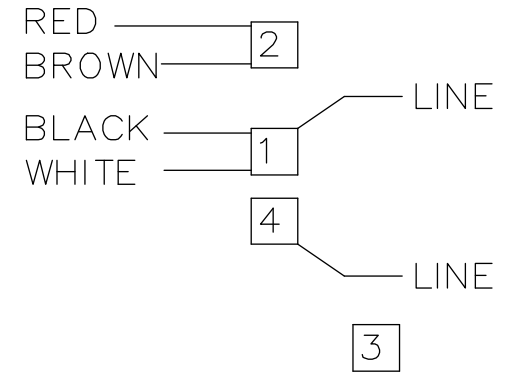


DUAL VOLTS

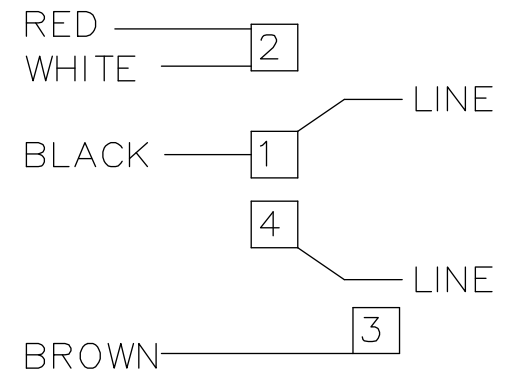
CCW ROTATION, LEAD END, SHOWN  
TO REVERSE EITHER VOLTAGE  
INTERCHANGE RED AND BLACK LEADS.




LOW VOLTAGE



HIGH VOLTAGE



VIEW OF TERMINAL END

			TOLERANCES UNLESS SPECIFIED			ELECTRIC MOTORS GEARMOTORS AND DRIVES	DRAWN	PVR 11/16/12			
			DEC.	INCHES			CHK	RD 11/16/12			
			.X	± -	TITLE CONNECTION DIAGRAM	APPD	SCALE	1=1			
			.XX	± -		REF	EE9057T				
			.XXX	± -		FMF	MU110993				
			.XXXX	± -		PREV	PR121931				
NO.	REVISION	BY & DATE	CHK	ANG	± -	FINISH					
THIS DRAWING IN DESIGN AND DETAIL IS OUR PROPERTY AND MUST NOT BE USED EXCEPT IN CONNECTION WITH OUR WORK ALL RIGHTS OF DESIGN AND INVENTION ARE RESERVED THIS IS AN ELECTRONICALLY GENERATED DOCUMENT - DO NOT SCALE THIS PRINT			RFP	CAD FILE		EE9057BA-LE	SIZE	DRAWING NO.	PAGE	OF	REV.
			DIST	WP			A	EE9057BA-LE			