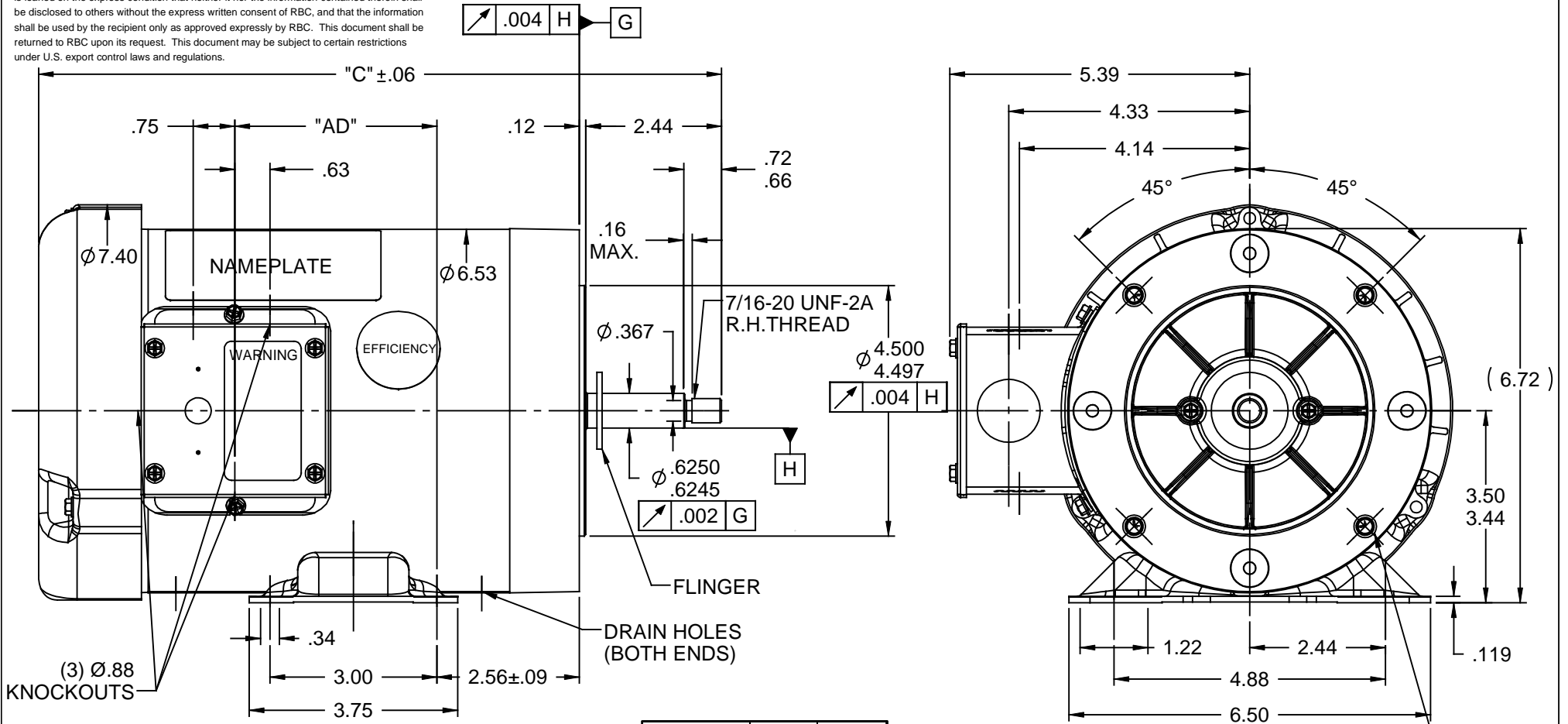


RBC PROPRIETARY AND CONFIDENTIAL INFORMATION

This document is the property of REGAL BELOIT CORPORATION ("RBC") including its subsidiaries and divisions and contains proprietary information of RBC. This document is loaned on the express condition that neither it nor the information contained therein shall be disclosed to others without the express written consent of RBC, and that the information shall be used by the recipient only as approved expressly by RBC. This document shall be returned to RBC upon its request. This document may be subject to certain restrictions under U.S. export control laws and regulations.



- NOTES:**
 1) GASKETS THROUGHOUT
 2) FLINGER ON SHAFT
 3) STAINLESS STEEL SHAFT EXTENSION

DASH NO.	"C"	"AD"
700	12.78	4.13
650	12.28	3.63
600	11.78	3.13
550	11.28	2.63
500	10.78	2.13

		TOLERANCES UNLESS SPECIFIED		ELECTRIC MOTORS GEARMOTORS AND DRIVES	DRAWN GRB 07/01/2008 CHK DJ 07/01/2008 APPR SCALE 3:8 REF 028545 FMF 113028.00 PAGE OF
		DEC	INCHES		TITLE OUTLINE - 56 FRAME T.E.F.C. - RIGID "C"
		.X	±.1		MAT'L JET PUMP
		.XX	±.03		FINISH
		.XXX	±.005		PREV
01	DRAIN HOLES WERE PLUGGED	DJ	8/8/2008	.XXXX ±.0005	SIZE A
NO	REVISION	BY & DATE	CHK ANG ±1/2°	NETWORK FILE NAME	DRAWING NO 028840
THIRD ANGLE PROJECTION					REV 01