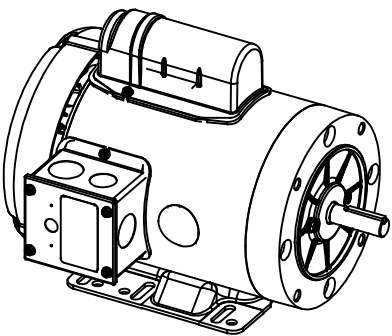
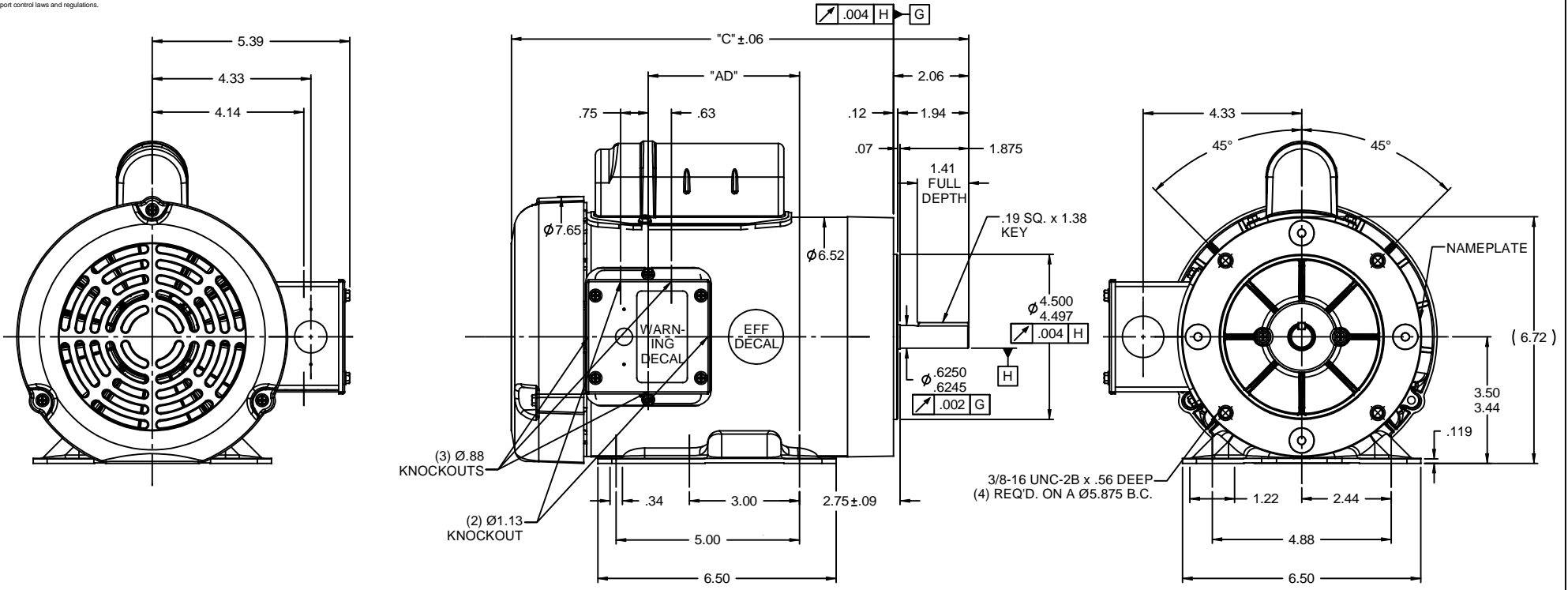


RBC PROPRIETARY AND CONFIDENTIAL INFORMATION  
 This document is the property of REGAL BELOIT CORPORATION ("RBC") including its subsidiaries and divisions and contains proprietary information of RBC. This document is loaned on the express condition that neither it nor the information contained therein shall be disclosed to others without the express written consent of RBC, and that the information shall be used by the recipient only as approved expressly by RBC. This document shall be returned to RBC upon its request. This document may be subject to certain restrictions under U.S. export control laws and regulations.



DASH NO.	"C"	"AD"
650	11.98	3.62
700	12.48	4.12
750	12.98	4.62
800	13.48	5.12
850	13.98	5.62

NOTES:  
 1) GASKETS THROUGHOUT

REVISION		BY & DATE	CHK	ANG	±1/2"	FINISH	PAGE OF	
THIRD ANGLE PROJECTION			RFP	07/16/2008	PREV		SIZE	DRAWING NO
			NETWORK FILE NAME		028852		B	028852

TOLERANCES UNLESS SPECIFIED		<b>ELECTRIC MOTORS GERMOTORS AND DRIVES</b>	DRAWN GRB 07/16/2008	
DEC	INCHES		CHK	DJ 07/16/2008
X	±.1		APPR	
.XX	±.03		SCALE	3:8
.XXX	±.005	TITLE	OUTLINE - 56C FRAME	
.XXXX	±.0005	REF	TEFC - "C" FACE	
		REF	028851	
		FMF	113931.00	