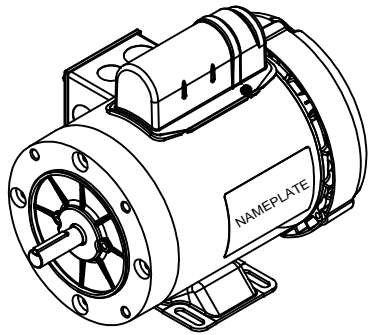
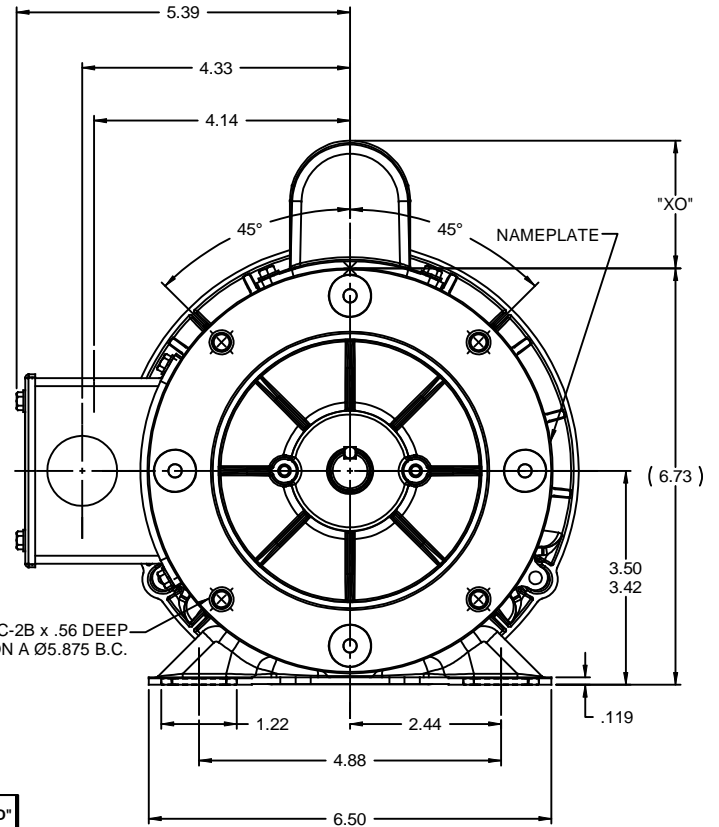
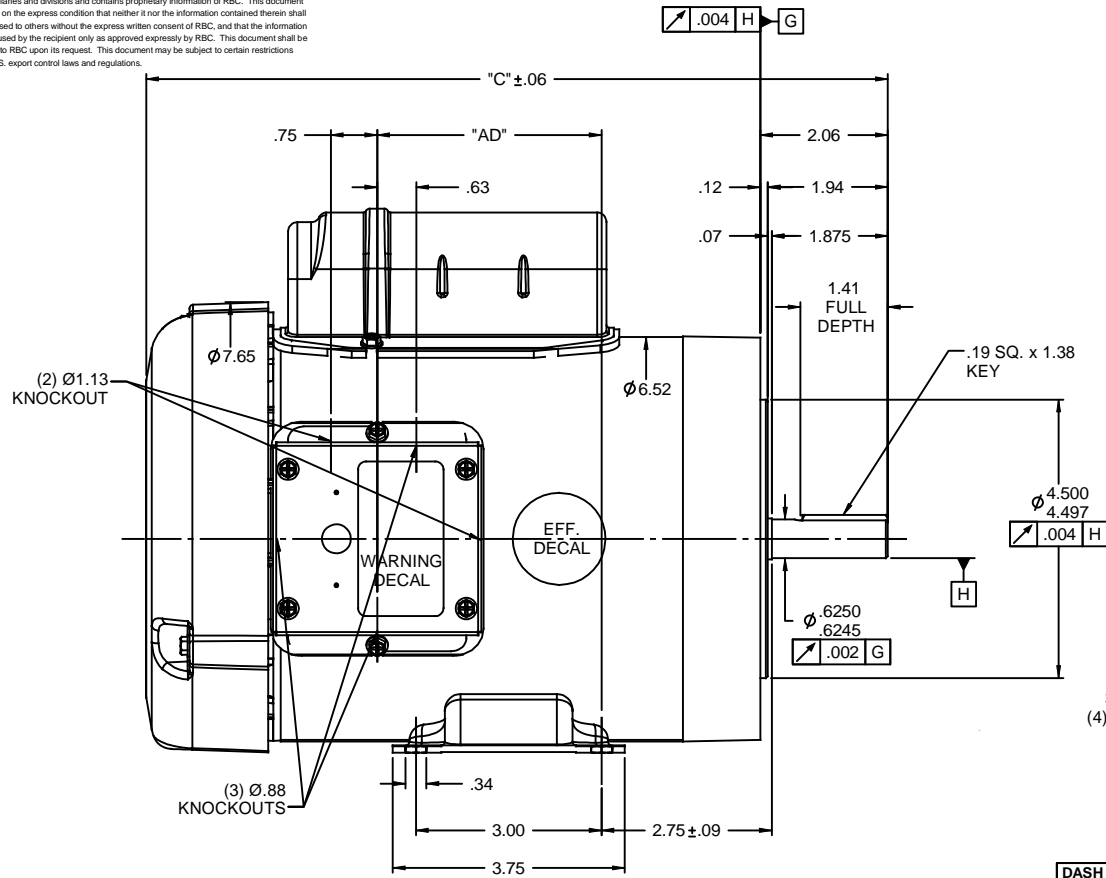


RBC PROPRIETARY AND CONFIDENTIAL INFORMATION
 This document is the property of REGAL BELOIT CORPORATION ("RBC") including its subsidiaries and divisions and contains proprietary information of RBC. This document is loaned on the express condition that neither it nor the information contained therein shall be disclosed to others without the express written consent of RBC, and that the information shall be used by the recipient only as approved expressly by RBC. This document shall be returned to RBC upon its request. This document may be subject to certain restrictions under U.S. export control laws and regulations.



DASH NO.	"C"	"AD"
500	10.48	2.12
550	10.98	2.62
600	11.48	3.12
650	11.98	3.62
700	12.48	4.12
750	12.98	4.62
800	13.48	5.12
850	13.98	5.62

CAP. DASH	"XO"
A	1.61
B	2.08
C	2.32

NOTES:
 1) GASKETS THROUGHOUT

				TOLERANCES UNLESS SPECIFIED		LEESON ELECTRIC MOTORS GEARMOTORS AND DRIVES		DRAWN GRB 07/22/08	
				DEC	INCHES			CHK DJ 07/22/08	
				x	±.1			APPR	
				.xx	±.03	TITLE OUTLINE - 56C FRAME		SCALE 1:2	
				.xxx	±.005	TEFC - "C" FACE		REF 028851	
01	ADDED FRAMES 500, 550 & 600	MBR 9/3/08	GWS	.xxx	±.005	MATL		FMF 110180.00	
NO	REVISION	BY & DATE	CHK	ANG	±1/2"	FINISH		PAGE 1 OF 1	REV
			RFP	07/22/08		PREV		SIZE B	DRAWING NO 028857
							NETWORK FILE NAME		01