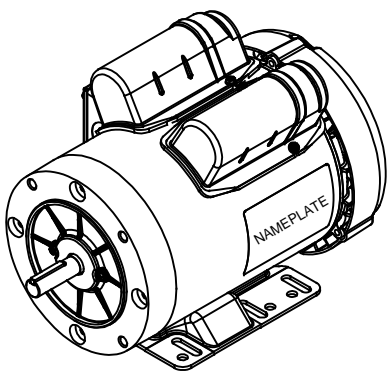
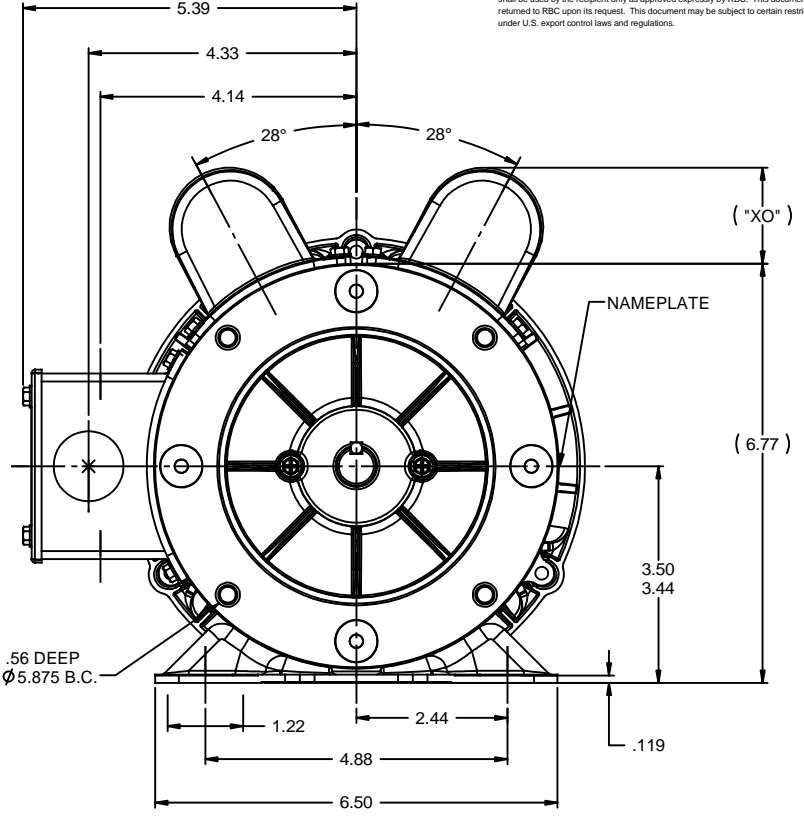
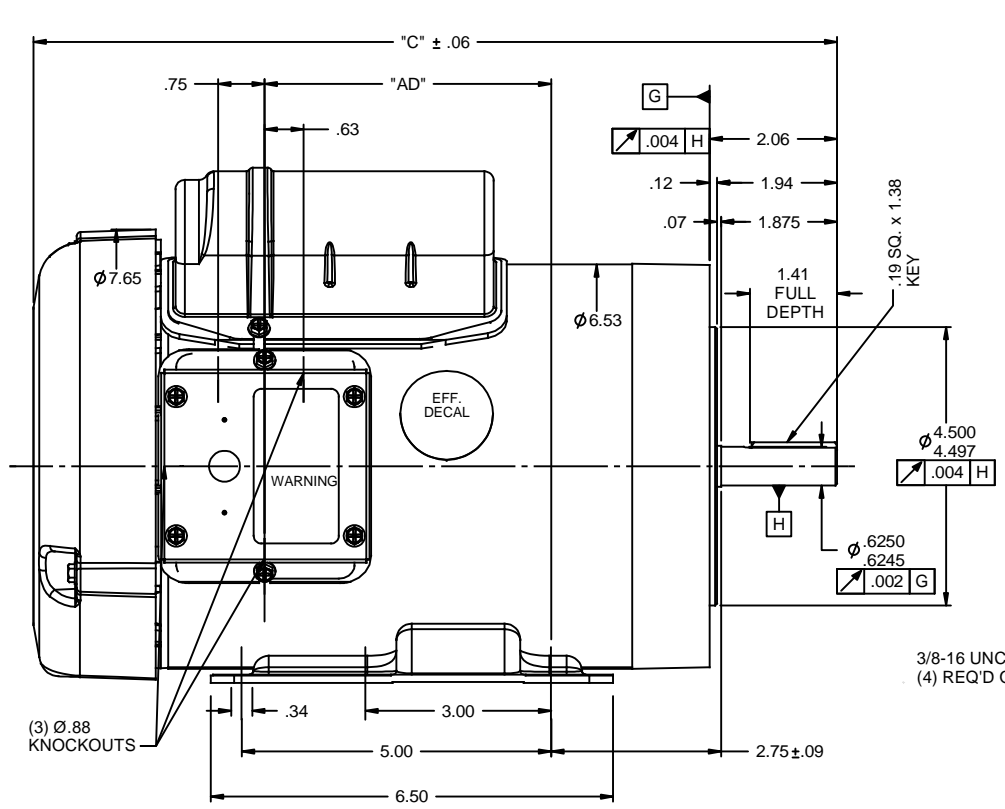


RBC PROPRIETARY AND CONFIDENTIAL INFORMATION  
 This document is the property of REGAL BELOIT CORPORATION ("RBC") including its subsidiaries and divisions and contains proprietary information of RBC. This document is loaned on the express condition that neither it nor the information contained therein shall be disclosed to others without the express written consent of RBC, and that the information shall be used by the recipient only as approved expressly by RBC. This document shall be returned to RBC upon its request. This document may be subject to certain restrictions under U.S. export control laws and regulations.



DASH NO.	"C"	"AD"	CAP. DASH	"XO"
700	12.48	4.13	A	1.06
750	12.98	4.63	B	1.51
800	13.48	5.13	C	1.73
850	13.98	5.63		

NOTES:  
 1) GASKETS THROUGHOUT.

REVISION		BY & DATE	CHK	ANG	±1/2°	FINISH	PREV	SIZE	DRAWING NO	REV
THIRD ANGLE PROJECTION			RFP	08/04/08				B	028861	

TOLERANCES UNLESS SPECIFIED		TITLE	
DEC	INCHES	OUTLINE - G56HC FRAME	
X	±.1	T.E.F.C. - RIGID "C"	
.XX	±.03	MAT'L	
.XXX	±.005	PAGE 1 OF 1	
.XXX	±.0005	REF 028802	
		FMF 110910.00	

DRAWN	GRB 08/04/08
CHK	DJ 08/04/08
APPR	
SCALE	1:2
REF	028802
FMF	110910.00



**ELECTRIC MOTORS  
 GEARMOTORS  
 AND DRIVES**