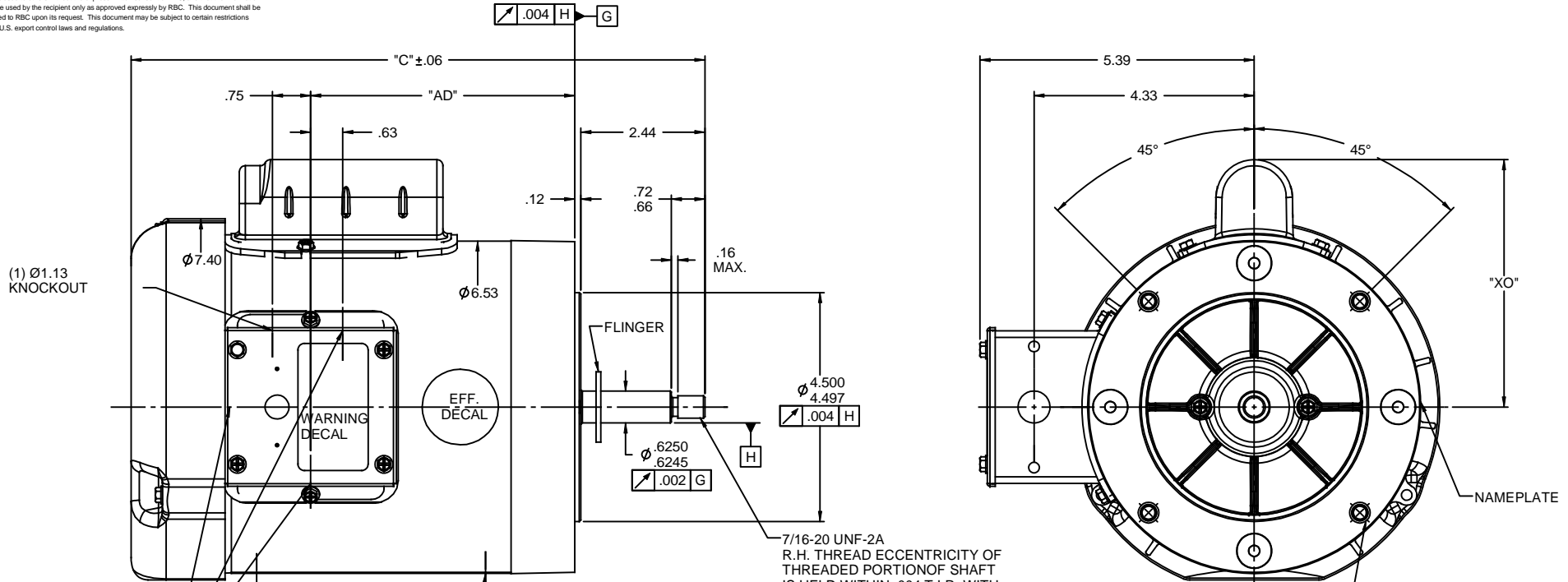
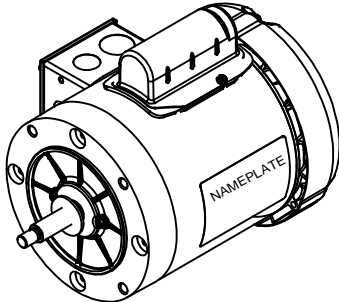


RBC PROPRIETARY AND CONFIDENTIAL INFORMATION  
 This document is the property of REGAL BELOIT CORPORATION ("RBC") including its subsidiaries and divisions and contains proprietary information of RBC. This document is loaned on the express condition that neither it nor the information contained therein shall be disclosed to others without the express written consent of RBC, and that the information shall be used by the recipient only as approved expressly by RBC. This document shall be returned to RBC upon its request. This document may be subject to certain restrictions under U.S. export control laws and regulations.



DASH NO.	"C"	"AD"	CAP.	"XO"
500	10.78	4.69	A	4.87
550	11.28	5.19	B	5.34
600	11.78	5.69	C	5.57
650	12.28	6.19		
700	12.78	6.69		
750	13.28	7.19		
800	13.78	7.69		
850	14.28	8.19		



NOTES:  
GASKETS THROUGHOUT

TOLERANCES UNLESS SPECIFIED		LEESON	ELECTRIC MOTORS GEARMOTORS AND DRIVES	DRAWN
DEC	INCHES			GRB_08/18/2008
x	±.1			CHK DJ 08/18/2008
.xx	±.03		TITLE OUTLINE - 56J FRAME	APPR
.xxx	±.005		TEFC - "C" FACE	SCALE 1:2
.xxxx	±.0005		MATL JET PUMP	REF 028607
NO	REVISION	BY & DATE	CHK ANG ±7'30"	FINISH
			RFP 08/18/2008	PREV
			THIRD ANGLE PROJECTION	SIZE
			NETWORK FILE NAME	DRAWING NO
				<b>B</b>
				<b>028869</b>
				PAGE 1 OF 1
				REV