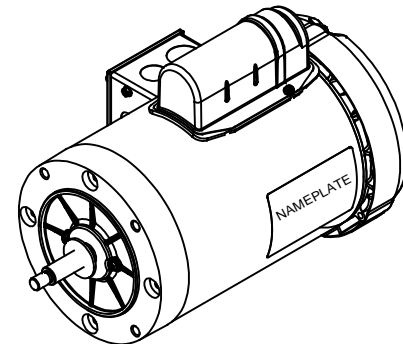
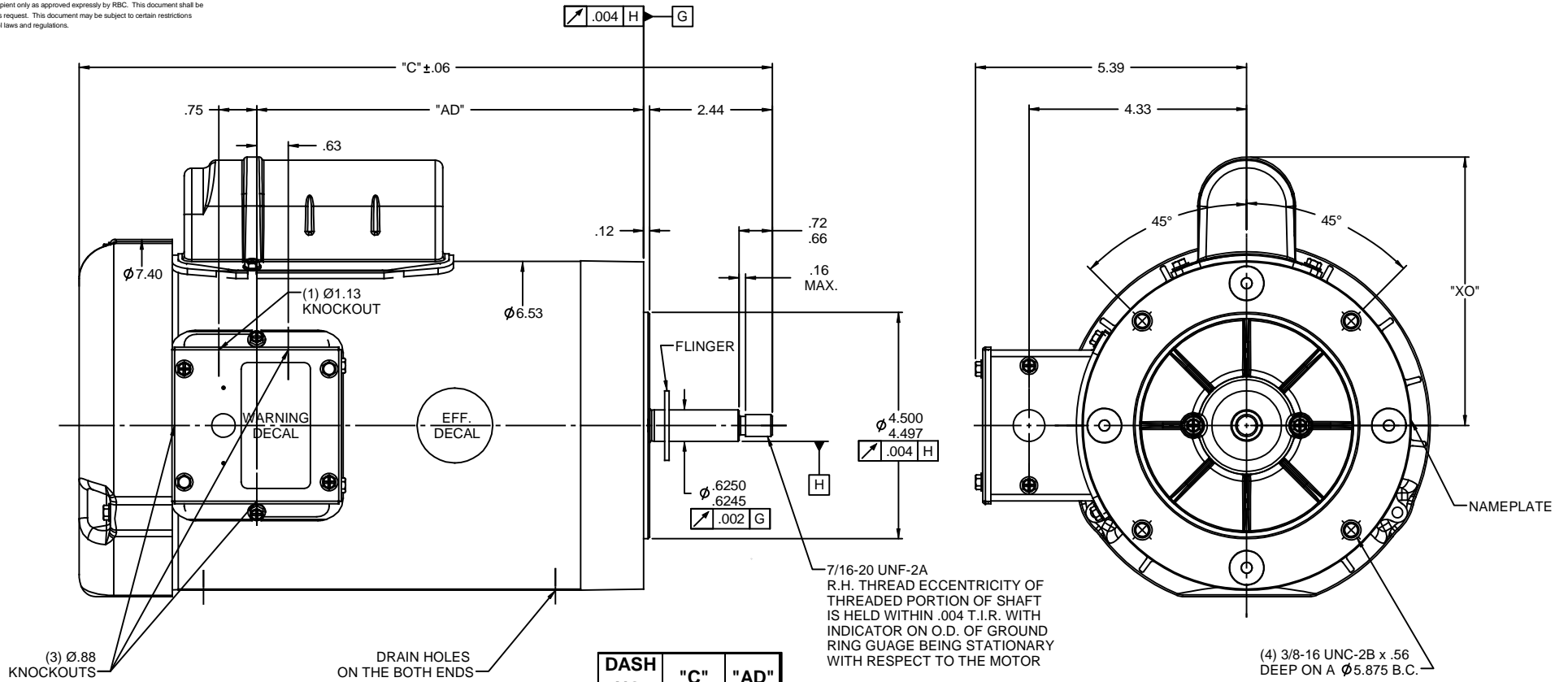


RBC PROPRIETARY AND CONFIDENTIAL INFORMATION
 This document is the property of REGAL BELOIT CORPORATION ("RBC") including its subsidiaries and divisions and contains proprietary information of RBC. This document is loaned on the express condition that neither it nor the information contained therein shall be disclosed to others without the express written consent of RBC, and that the information shall be used by the recipient only as approved expressly by RBC. This document shall be returned to RBC upon its request. This document may be subject to certain restrictions under U.S. export control laws and regulations.



DASH NO.	"C"	"AD"		
650	12.28	6.19	CAP.	"XO"
700	12.78	6.69	DASH	"XO"
750	13.28	7.19	A	4.80
800	13.78	7.69	B	5.27
850	14.28	8.19	C	5.51

NOTES:
GASKETS THROUGHOUT

TOLERANCES UNLESS SPECIFIED		ELECTRIC MOTORS GEARMOTORS AND DRIVES		DRAWN GRB_08/18/2008					
DEC	INCHES			CHK	DJ_08/18/2008				
X	±.1			APPR					
.XX	±.03			SCALE	1:2				
.XXX	±.005	TITLE	OUTLINE - 56J FRAME	REF	028617				
.01	DRAWING WAS SHOWING MANUAL PROTECTOR	GRB_10/22/2008	DJ	xxxxx	±.0005	MATL	JET PUMP	FMF	113641.00
NO	REVISION	BY & DATE	CHK	ANG	±7'30"	FINISH		PAGE	1 OF 1
			RFP	08/18/2008	PREV			DRAWING NO	
	THIRD ANGLE PROJECTION		NETWORK FILE NAME	028860		SIZE	B	DRAWING NO	028860
						REV			01