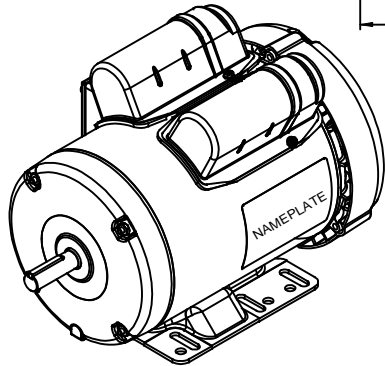
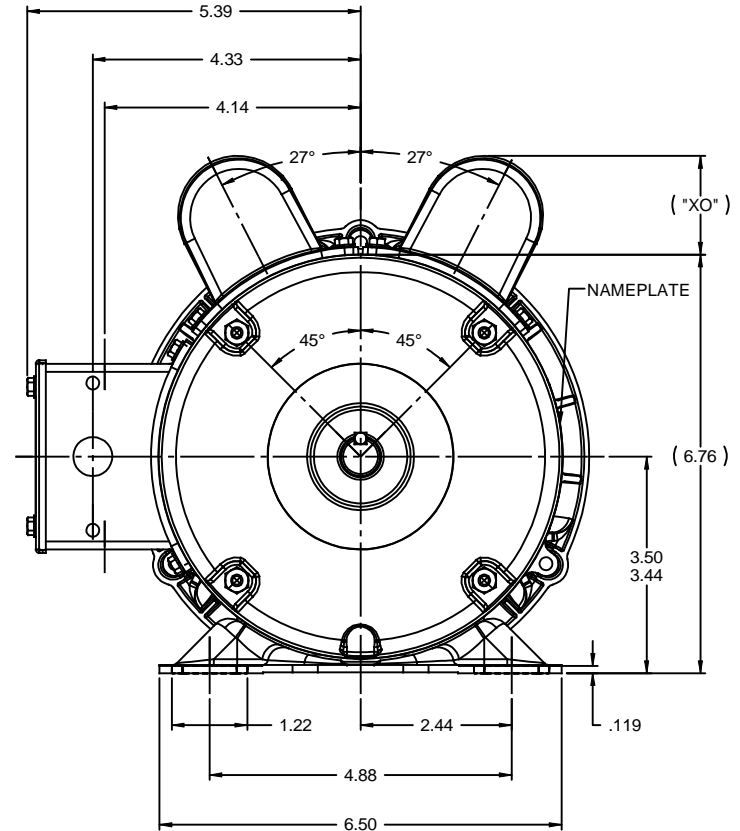
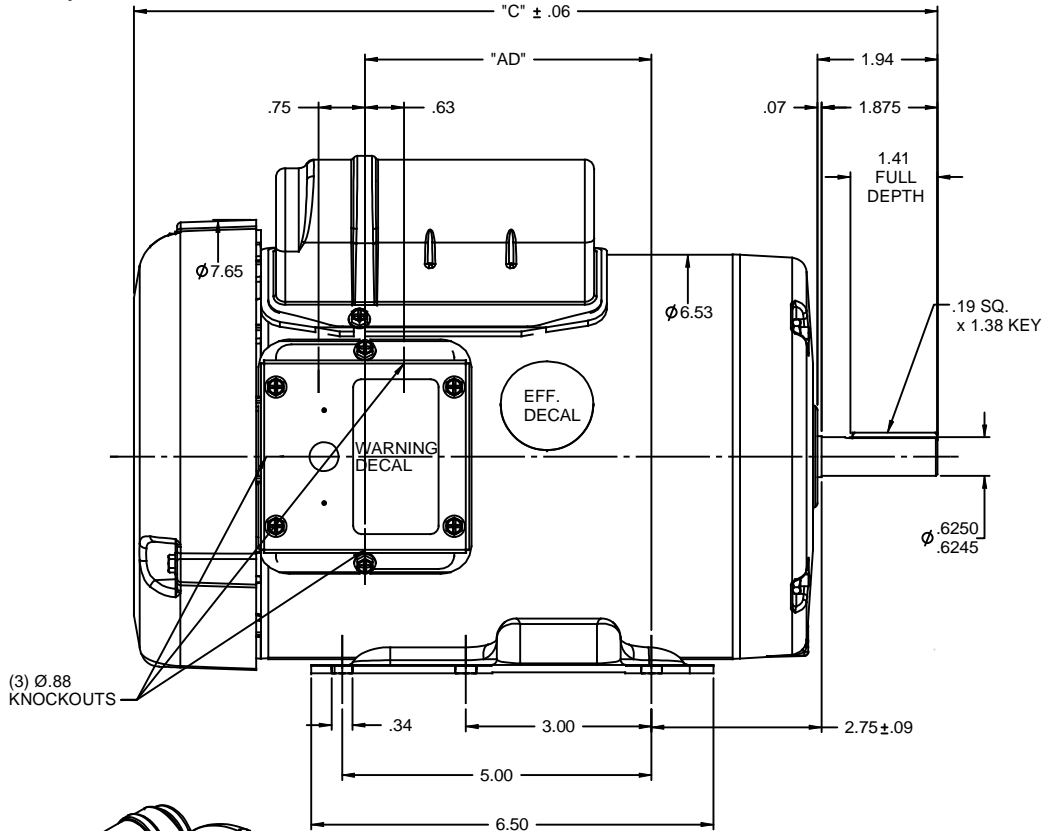


RBC PROPRIETARY AND CONFIDENTIAL INFORMATION
 This document is the property of REGAL BELOIT CORPORATION ("RBC") including its subsidiaries and divisions and contains proprietary information of RBC. This document is loaned on the express condition that neither it nor the information contained therein shall be disclosed to others without the express written consent of RBC, and that the information shall be used by the recipient only as approved expressly by RBC. This document shall be returned to RBC upon its request. This document may be subject to certain restrictions under U.S. export control laws and regulations.



DASH NO.	"C"	"AD"	CAP DASH	"XO"
700	12.49	4.13	A	1.15
750	12.99	4.63	B	1.60
800	13.49	5.13	C	1.82
850	13.99	5.63		

NOTES:
 1) GASKETS THROUGHOUT.

REVISION		BY & DATE	CHK	ANG	±1/2°	FINISH	PREV	SIZE	DRAWING NO	REV
NO			RFP	08/21/08				B	028863	

TOLERANCES UNLESS SPECIFIED		TITLE	
DEC	INCHES	OUTLINE - G56H FRAME	
X	±.1	TEFC - RIGID	
.XX	±.03	MATERIAL	
.XXX	±.005		
.XXX	±.0005		

LEESON	ELECTRIC MOTORS GEARMOTORS AND DRIVES	DRAWN GRB 08/21/08
		CHK DJ 08/21/08
		APPR
		SCALE 1:2
		REF OL110019
		FMF 110019.00
		PAGE 1 OF 1