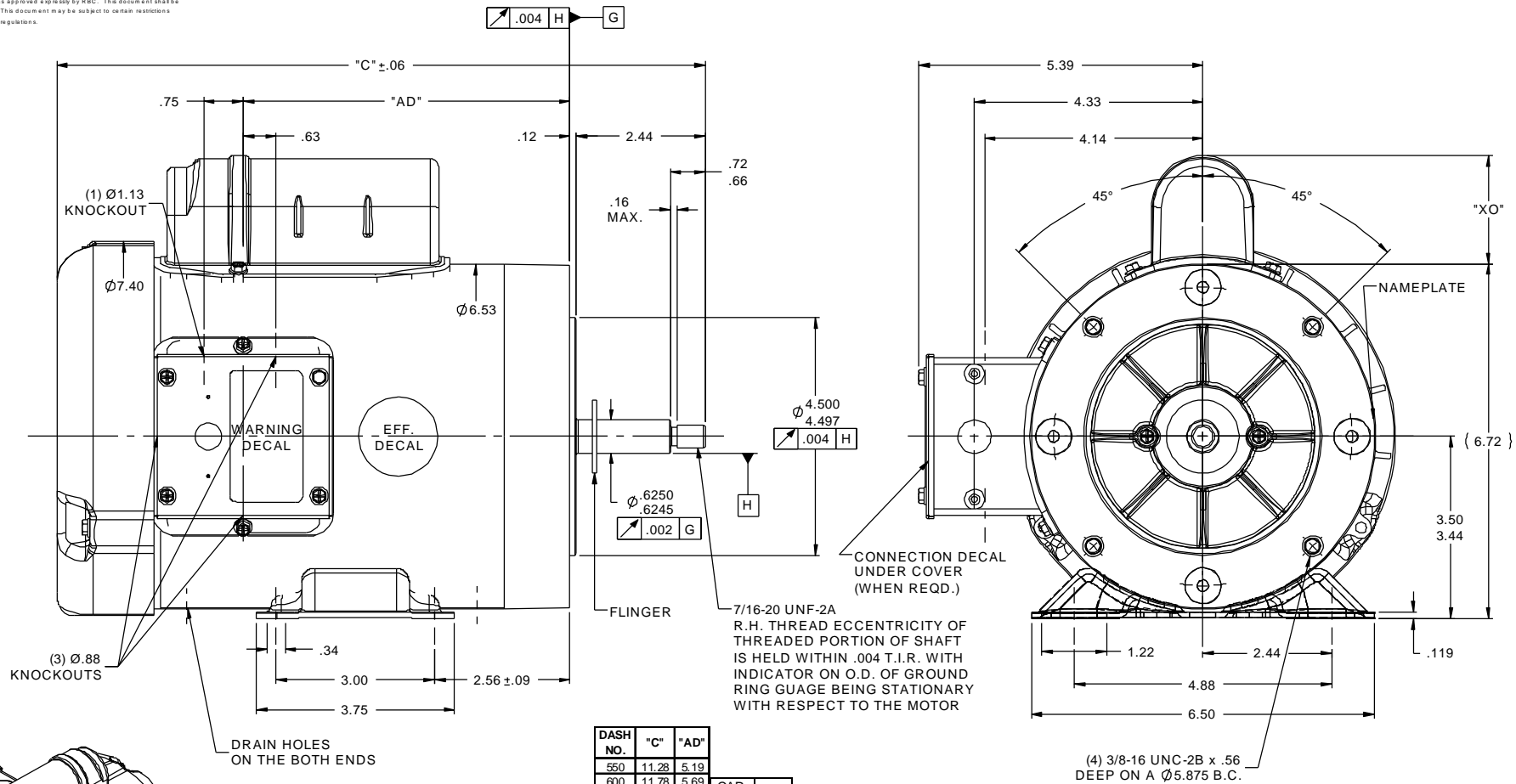
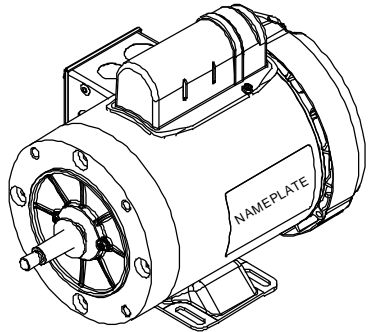


RBC PROPRIETARY AND CONFIDENTIAL INFORMATION
 This document is the property of REGAL BELLOIT CORPORATION (RBC) including its subsidiaries and divisions and contains proprietary information of RBC. This document is loaned on the express condition that neither the information contained therein shall be disclosed to others without the express written consent of RBC, and that the information shall be used by the recipient only as approved expressly by RBC. This document shall be returned to RBC upon its request. This document may be subject to certain restrictions under U.S. export controls and regulations.



DASH NO.	"C"	"AD"	CAP. DASH	"XO"
550	11.28	5.19		
600	11.78	5.69		
650	12.28	6.19	A	1.54
700	12.78	6.69	B	2.01
750	13.28	7.19	C	2.25
800	13.78	7.69		
850	14.28	8.19		



NOTES:
 GASKETS THROUGHOUT

				TOLERANCES UNLESS SPECIFIED		LEESON ELECTRIC MOTORS GEARMOTORS AND DRIVES		DRAWN GRB 08/19/2008	
				DEC	INCHES			CHK	DJ 08/19/2008
				X	$\pm .1$			APPR	
				XX	$\pm .03$	TITLE OUTLINE - 56J FRAME		SCALE	1:2
02	ADDED CONNECTION DECAL NOTE PER MU115132(117989.00)	UD	9/18/2013	GRB	XXX	$\pm .005$	TEFC - RIGID "C"	REF	028608
01	ADDED ITEM #550 (113637.00)	GRB	12/16/2008	DJ	XXXX	$\pm .0005$	MAT'L JET PUMP	FMF	113957.00
NO	REVISION	BY & DATE	CHK	ANG	$\pm 7'30"$	FINISH		PAGE	OF
				RFP	08/19/2008	PREV		SIZE	DRAWING NO
				THIRD ANGLE PROJECTION	NETWORK FILE NAME	028870		B	028870
								REV	02