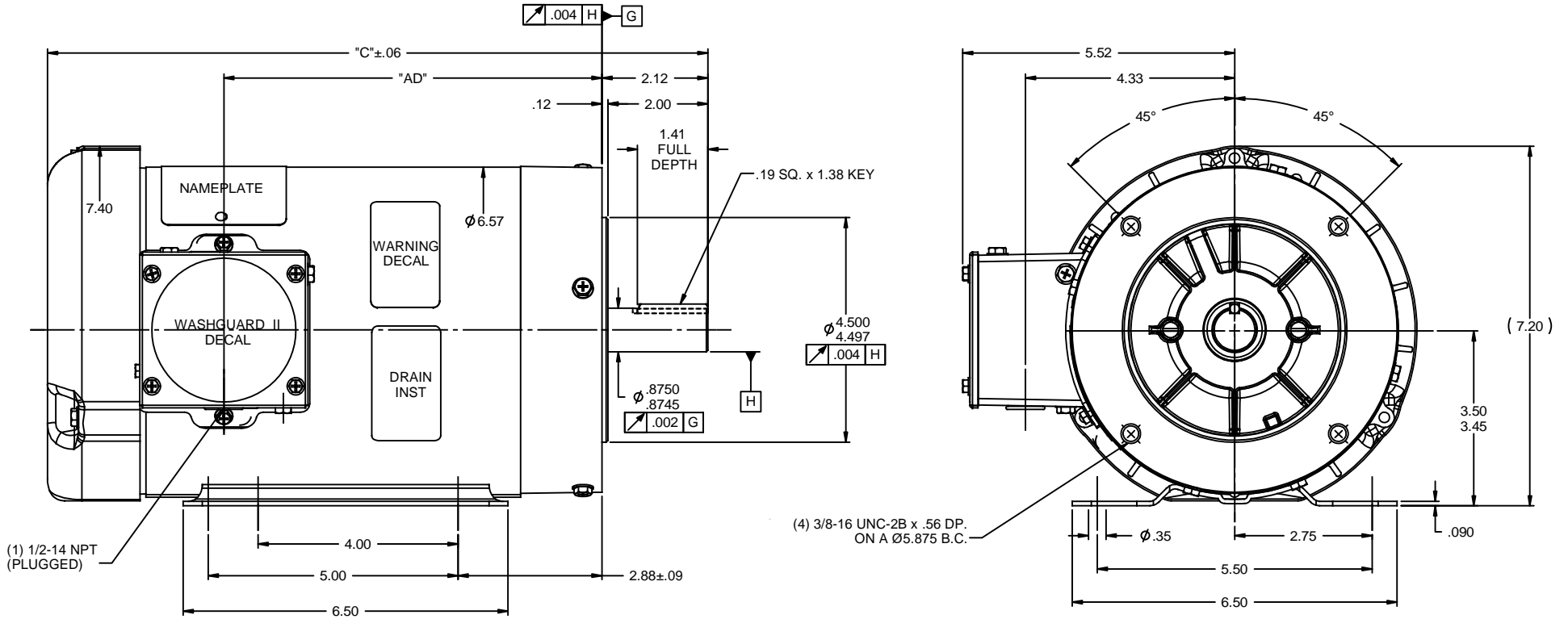
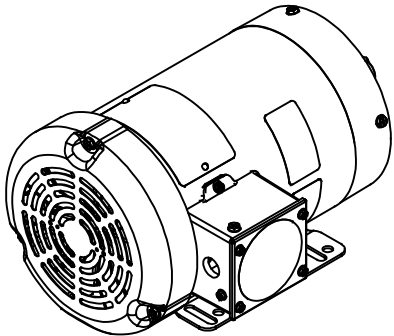



RBC PROPRIETARY AND CONFIDENTIAL INFORMATION
 This document is the property of REGAL BELCOIT CORPORATION ("RBC") including its subsidiaries and divisions and contains proprietary information of RBC. This document is loaned on the express condition that neither it nor the information contained therein shall be disclosed to others without the express written consent of RBC, and that the information shall be used by the recipient only as approved expressly by RBC. This document shall be returned to RBC upon its request. This document may be subject to certain restrictions under U.S. export control laws and regulations.



DASH NO.	"C"	"AD"
650	12.22	6.57
700	12.72	7.07
750	13.22	7.57
800	13.72	8.07

- WASHGUARD FEATURES
- 1) SHAFT SEALS & V-RING.
 - 2) PLUGGED DRAIN HOLES IN ENDBELLS & CONDUIT BOX.
 - 3) BUNA - N GASKETS THROUGHOUT.
 - 4) STAINLESS STEEL SHAFT, HARDWARE, FRAME & NAMEPLATE
 - 5) CORROSION RESISTANT FINISH ON ENDBELLS AND CONDUIT BOX



TOLERANCES UNLESS SPECIFIED		ELECTRIC MOTORS GEARMOTORS AND DRIVES		DRAWN GRB 07/09/08	
DEC	INCHES			CHK DJ 07/09/08	
X	±.1			APPR	
XX	±.03	TITLE OUTLINE - 140TC FRAME		SCALE 1:2	
XXX	±.005	TEFC - "C" FACE		REF 028749	
01	ADDED DASH NO. 800 (121913.00)	PG 9/16/2010	XXXL ±.0005	MATL	FMF G121167.00
NO	REVISION	BY & DATE	CHK ANG ±1/2°	FINISH WASHGUARD	PAGE OF
	THIRD ANGLE PROJECTION		RFP 07/09/08	PREV	
			NETWORK FILE NAME 028847	SIZE B	DRAWING NO 028847
					REV 01