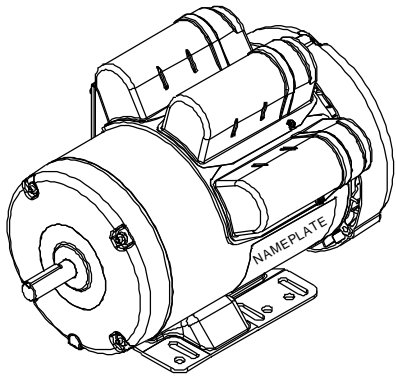
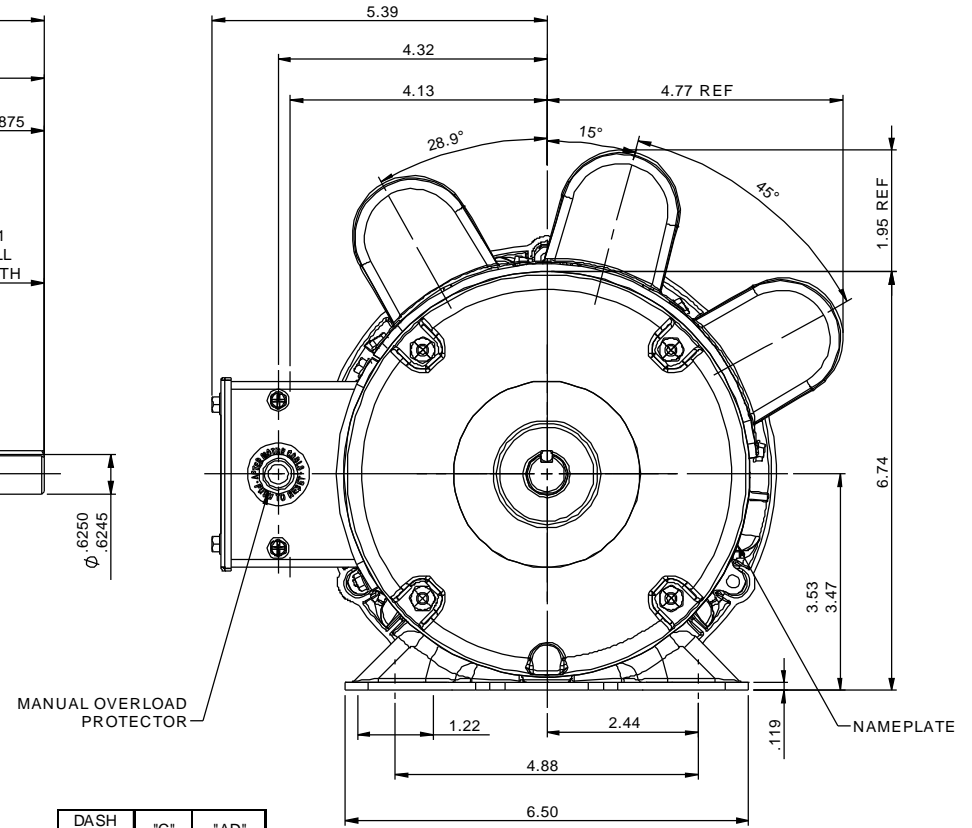
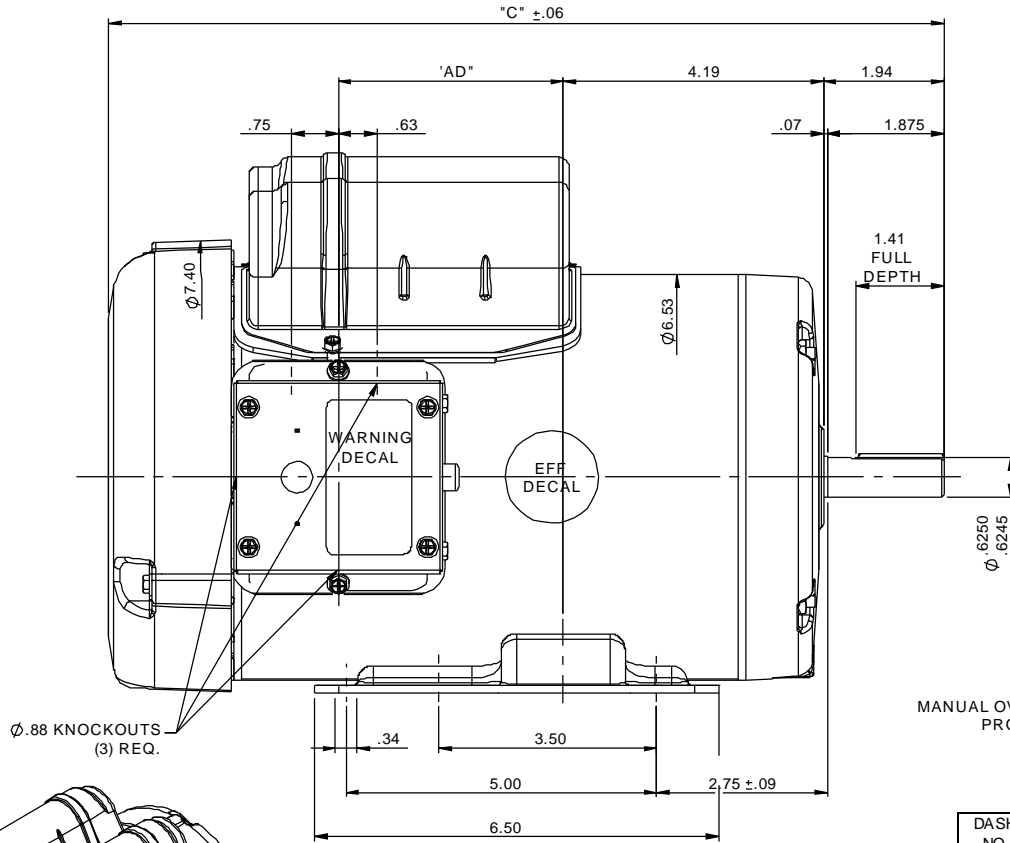


RBC PROPRIETARY AND CONFIDENTIAL INFORMATION  
 This document is the property of REGAL BELOIT CORPORATION ("RBC") including its subsidiaries and divisions and contains proprietary information of RBC. This document is loaned on the express condition that neither it nor the information contained therein shall be disclosed to others without the express written consent of RBC, and that the information shall be used by the recipient only as approved expressly by RBC. This document shall be returned to RBC upon its request. This document may be subject to certain restrictions under U.S. export control laws and regulations.



Ø.88 KNOCKOUTS  
(3) REQ.

DASH NO.	"C"	"AD"
600	11.48	1.62
650	11.98	2.12
700	12.48	2.62
750	12.98	3.12
800	13.48	3.62
850	13.98	4.12

NOTES:  
 GASKETS THROUGHOUT  
 DRAIN HOLES IN FRAME

REVISION		BY & DATE	CHK	ANG	±	FINISH	ELECTRIC MOTORS GEARMOTORS AND DRIVES		DRAWN	GRB 09/10/08
02	ADDED DECAL 004005.01 ECR 0035455	GS 3/20/13			±.03	TITLE OUTLINE - 56 FRAME	<b>LEESON</b>	TEFC	CHK	DJ 09/10/08
01	REMOVED FUNGER FROM DRAWING	DJ 5/7/09			±.005	MAT'L			APPR	SCALE
NO					±.0005			REF	034071	
					±.0005			FMF	113929.00	
					±.0005			PAGE	OF	
THIRD ANGLE PROJECTION							RFP	09/10/08	SIZE	B
							PREV		DRAWING NO	028878
							NETWORK FILE NAME	028878	REV	02