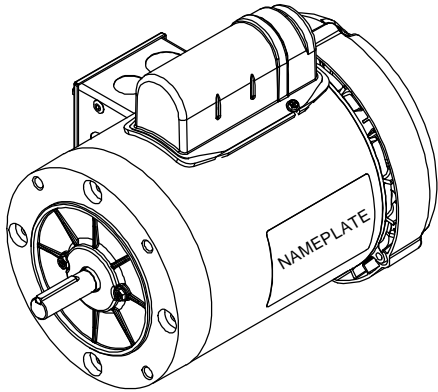
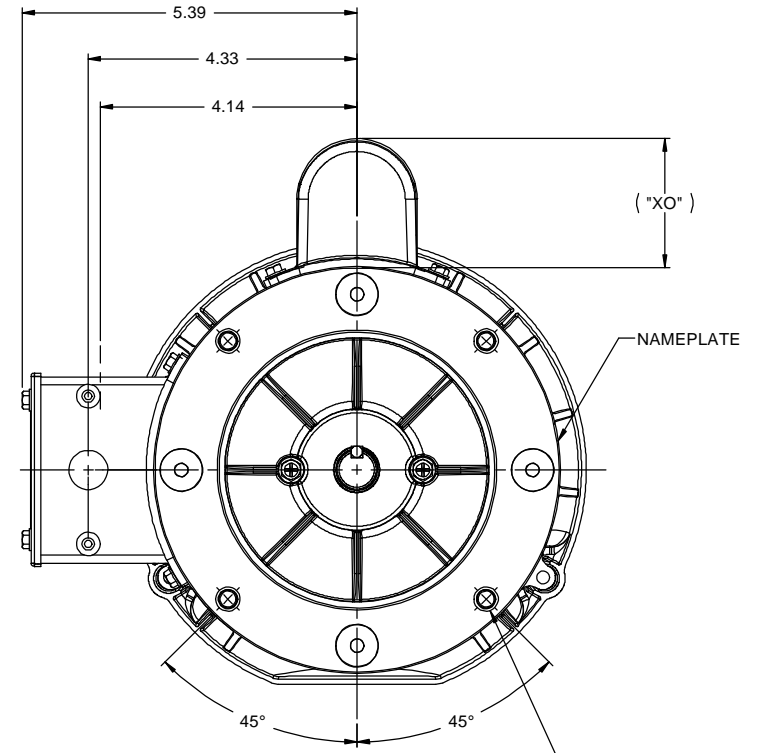
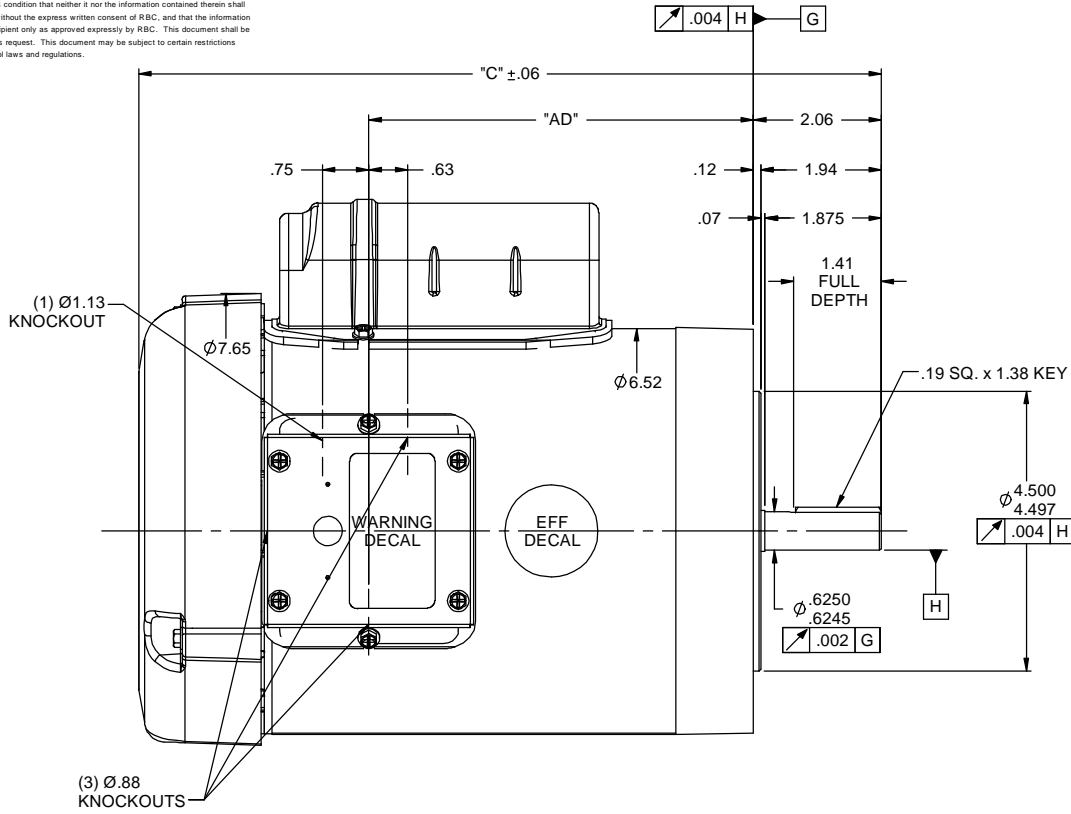


RBC PROPRIETARY AND CONFIDENTIAL INFORMATION
 This document is the property of REGAL BELOIT CORPORATION ("RBC") including its subsidiaries and divisions and contains proprietary information of RBC. This document is loaned on the express condition that neither it nor the information contained therein shall be disclosed to others without the express written consent of RBC, and that the information shall be used by the recipient only as approved expressly by RBC. This document shall be returned to RBC upon its request. This document may be subject to certain restrictions under U.S. export control laws and regulations.



DASH NO.	"C"	"AD"	CAP DASH	"XO"
600	11.46	5.69	A	2.32
650	11.96	6.19	B	2.08
700	12.46	6.69	C	1.61
750	12.96	7.19		
800	13.46	7.69		
850	13.96	8.19		

NOTES:
 1) GASKETS THROUGHOUT

TOLERANCES UNLESS SPECIFIED		LEESON	ELECTRIC MOTORS GEARMOTORS AND DRIVES	DRAWN GRB 10/23/08		
DEC	INCHES				CHK DJ 10/23/08	
X	±.1	TITLE OUTLINE - 56 FRAME TEFC - "C" FACE	SCALE 1:2	APPR		
XX	±.03					
XXX	±.005				REF 033098	
XXXX	±.0005				FMF 110308.00	
NO	REVISION	BY & DATE	CHK LANG ±1/2°	FINISH	PAGE OF	
THIRD ANGLE PROJECTION		RFPP	PREV	SIZE B	DRAWING NO 028895	REV
NETWORK FILE NAME 028895						