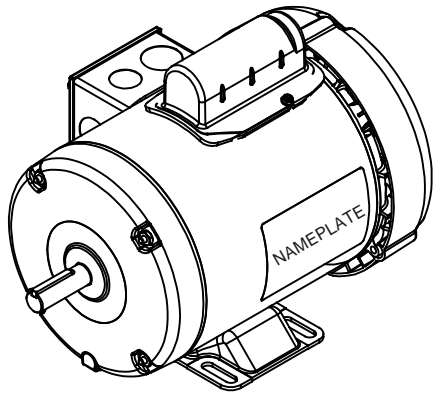
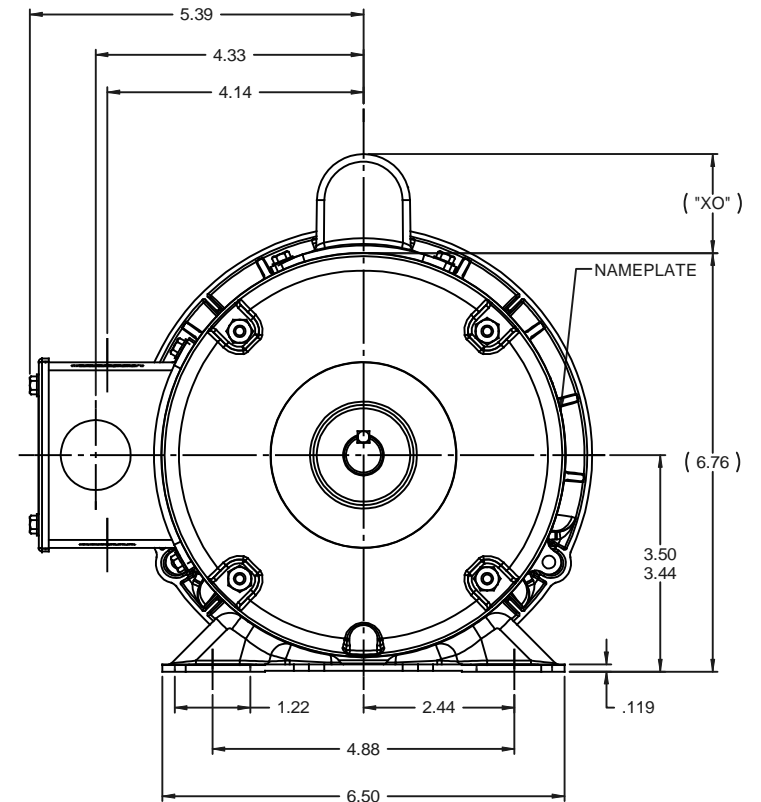
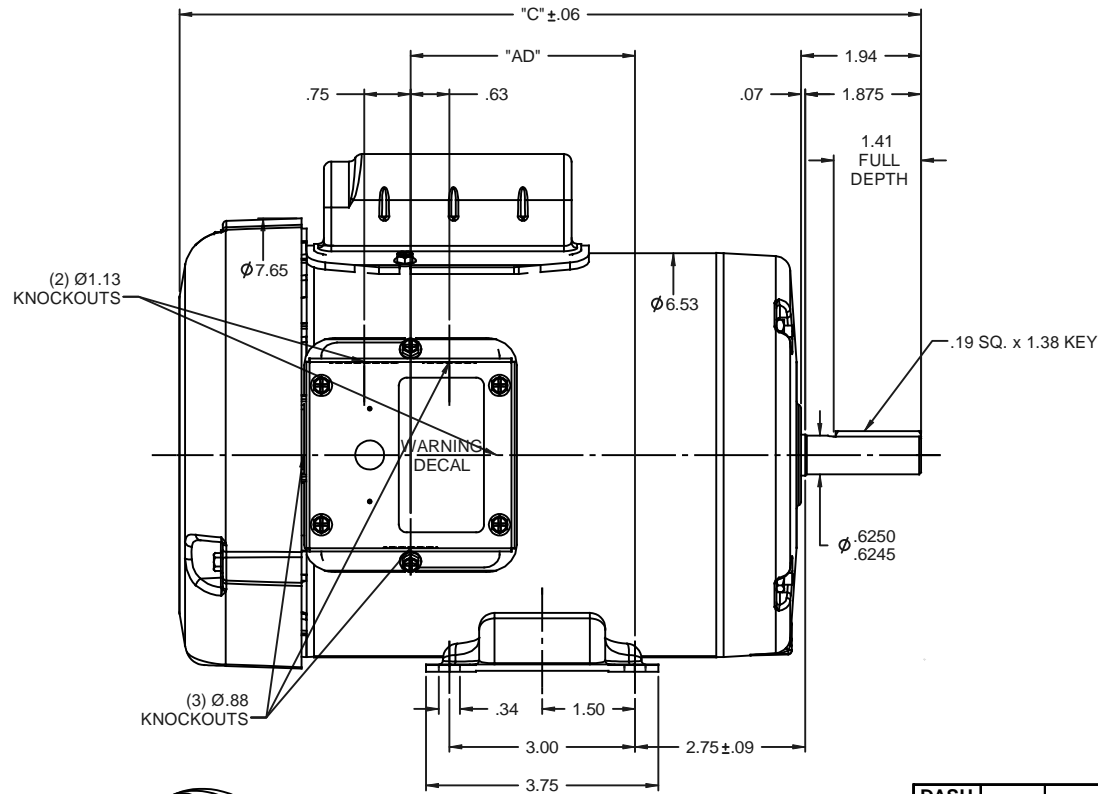


RBC PROPRIETARY AND CONFIDENTIAL INFORMATION
 This document is the property of REGAL BELOIT CORPORATION ("RBC") including its subsidiaries and divisions and contains proprietary information of RBC. This document is loaned on the express condition that neither it nor the information contained therein shall be disclosed to others without the express written consent of RBC, and that the information shall be used by the recipient only as approved expressly by RBC. This document shall be returned to RBC upon its request. This document may be subject to certain restrictions under U.S. export control laws and regulations.



DASH NO.	"C"	"AD"	CAP DASH	"XO"
500	10.49	2.13	A	1.61
550	10.99	2.63	B	2.08
600	11.49	3.13	C	2.32
650	11.99	3.63		
700	12.49	4.13		
750	12.99	4.63		

NOTES:
 GASKETS THROUGHOUT
 MAXIMUM FACE RUNOUT .004 T.I.R.
 MAXIMUM PILOT ECCENTRICITY .004 T.I.R.
 PERMISSIBLE SHAFT RUNOUT .002 T.I.R.

REVISION		BY & DATE	CHK	ANG	±1/2"	FINISH	GENERAL PURPOSE	SCALE	1:2
NO			RFP	11/05/08	PREV			REF	OL114617
								FMF	114617.00
								PAGE	1 OF 1
								DRAWING NO	028902
								REV	

THIRD ANGLE PROJECTION

TOLERANCES UNLESS SPECIFIED:

DEC	INCHES
x	±.1
.XX	±.03
.XXX	±.005
.XXXX	±.0005



**ELECTRIC MOTORS
 GEARMOTORS
 AND DRIVES**

DRAWN GRB 11/05/08
 CHK DJ 11/05/08
 APPR

TITLE OUTLINE - 56 FRAME
 TEFC - RIGID
 MATL

SIZE **B**
 DRAWING NO **028902**
 REV