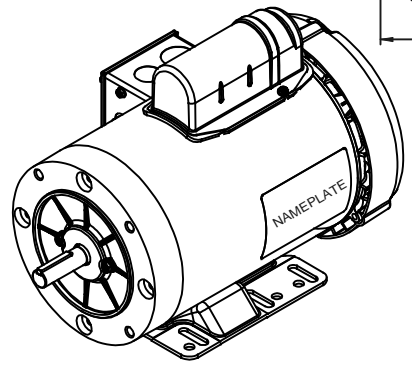
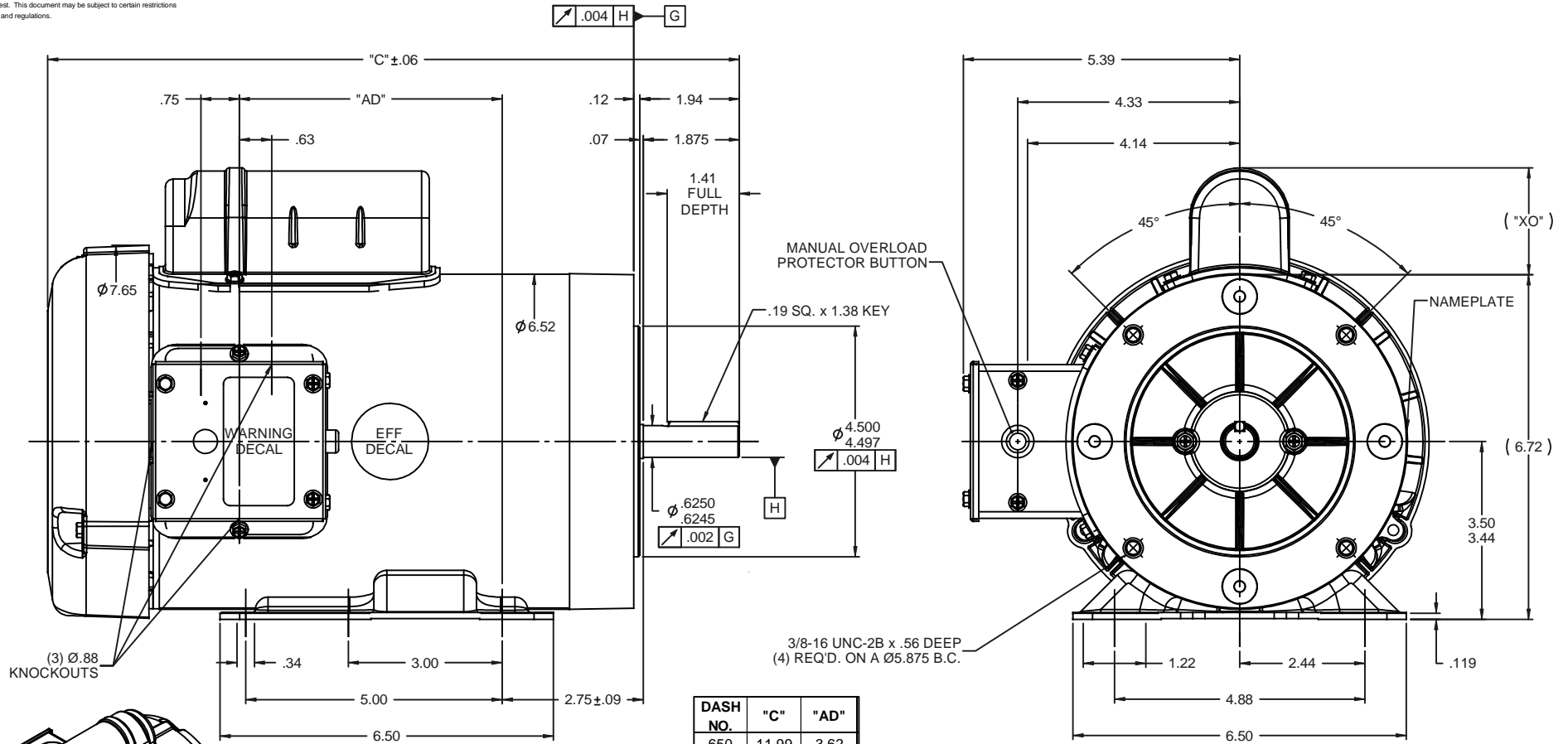


RBC PROPRIETARY AND CONFIDENTIAL INFORMATION
 This document is the property of REGAL BELOIT CORPORATION ("RBC") including its subsidiaries and divisions and contains proprietary information of RBC. This document is loaned on the express condition that neither it nor the information contained therein shall be disclosed to others without the express written consent of RBC, and that the information shall be used by the recipient only as approved expressly by RBC. This document shall be returned to RBC upon its request. This document may be subject to certain restrictions under U.S. export control laws and regulations.



DASH NO.	"C"	"AD"	CAP. DASH	"XO"
650	11.99	3.62	A	1.54
700	12.49	4.12	B	2.01
750	12.99	4.62	C	2.25
800	13.49	5.12		
850	13.99	5.62		

NOTES:
 1) GASKETS THROUGHOUT

REVISION		BY & DATE	CHK	ANG	±1/2"	FINISH	ELECTRIC MOTORS GEARMOTORS AND DRIVES		DRAWN	GRB 11/06/08
THIRD ANGLE PROJECTION			RFP	11/06/08	PREV		LEESON		CHK	DJ 11/06/08
							TITLE OUTLINE - 56HC FRAME		APPR	DJ 11/06/08
							TEFC - RIGID "C" FACE		SCALE	1:2
							MATL		REF	028746
									FMF	115878.00
									PAGE	1 OF 1
									SIZE	DRAWING NO
									B	028901
									REV	