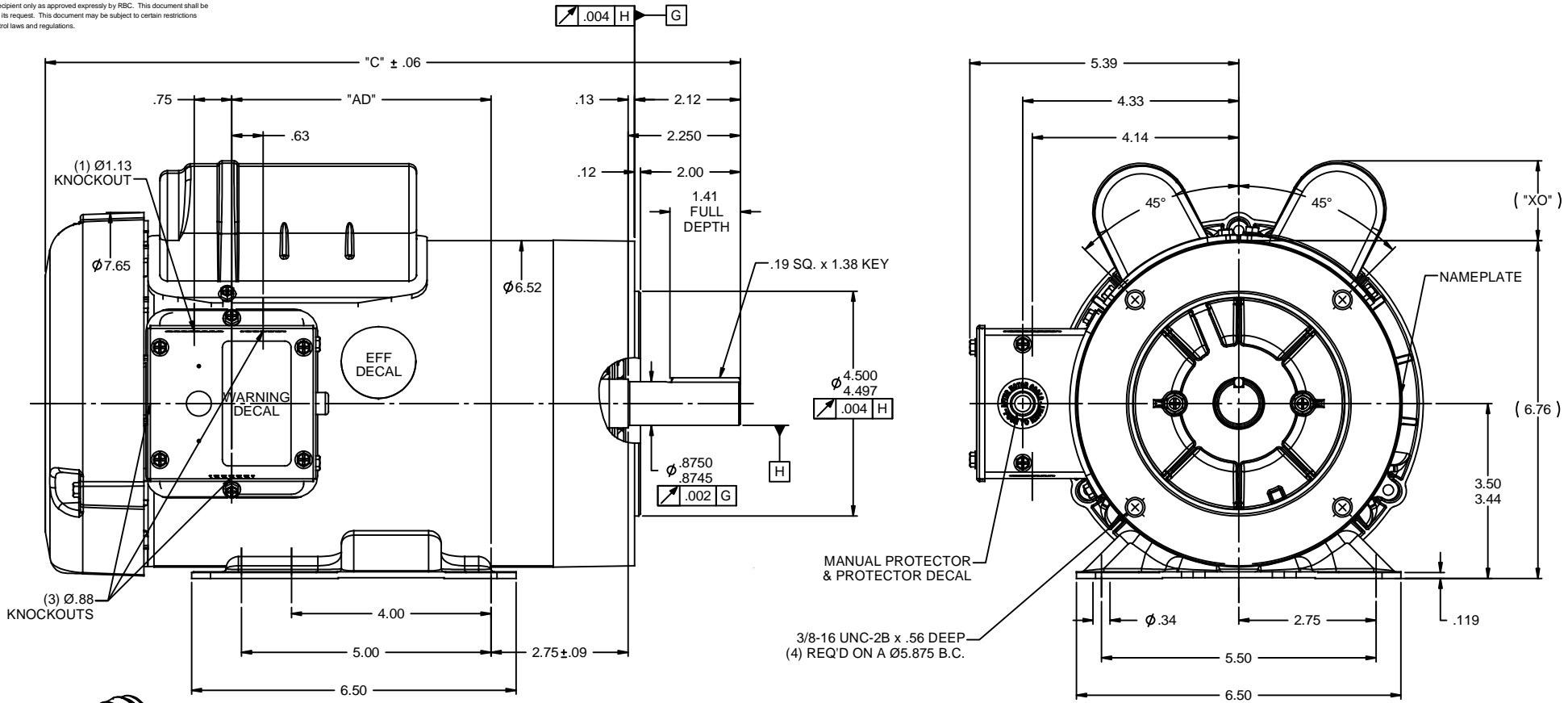
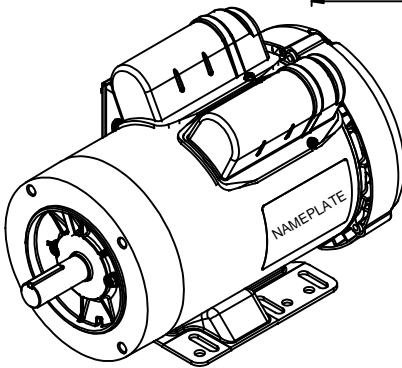


RBC PROPRIETARY AND CONFIDENTIAL INFORMATION
 This document is the property of REGAL BELOIT CORPORATION ("RBC") including its subsidiaries and divisions and contains proprietary information of RBC. This document is loaned on the express condition that neither it nor the information contained therein shall be disclosed to others without the express written consent of RBC, and that the information shall be used by the recipient only as approved expressly by RBC. This document shall be returned to RBC upon its request. This document may be subject to certain restrictions under U.S. export control laws and regulations.



MANUAL PROTECTOR & PROTECTOR DECAL
 3/8-16 UNC-2B x .56 DEEP
 (4) REQ'D ON A Ø5.875 B.C.



DASH NO.	"C"	"AD"	CAP DASH	"XO"
700	12.93	4.19	A	1.15
750	13.43	4.69	B	1.60
800	13.93	5.19	C	1.60
850	14.43	5.69	C	1.82

NOTE:
 1) GASKETS THROUGHOUT

REVISION		BY & DATE	CHK	ANG	±1/2°	FINISH	PAGE OF	
THIRD ANGLE PROJECTION			RFP	11/24/08	PREV		SIZE	DRAWING NO
							B	028905
								REV



ELECTRIC MOTORS
 GEARMOTORS
 AND DRIVES

DRAWN GRB 11/24/08
 CHK DJ 11/24/08
 APPR DJ 11/24/08
 SCALE 1:2
 REF OL121465
 FMF 121465.00
 PAGE OF