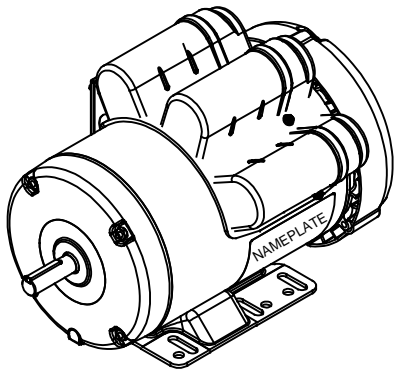
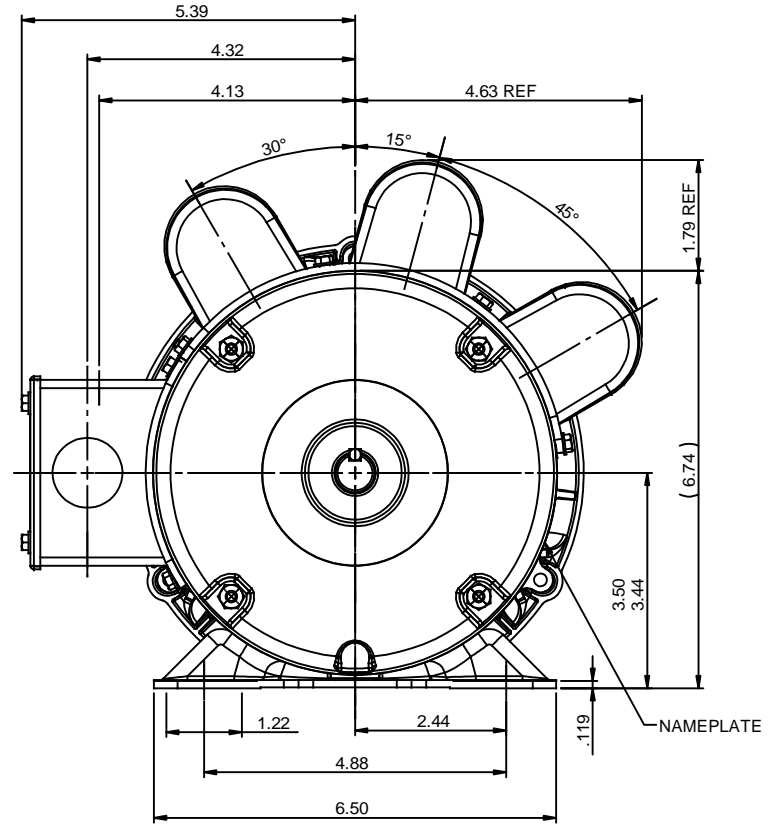
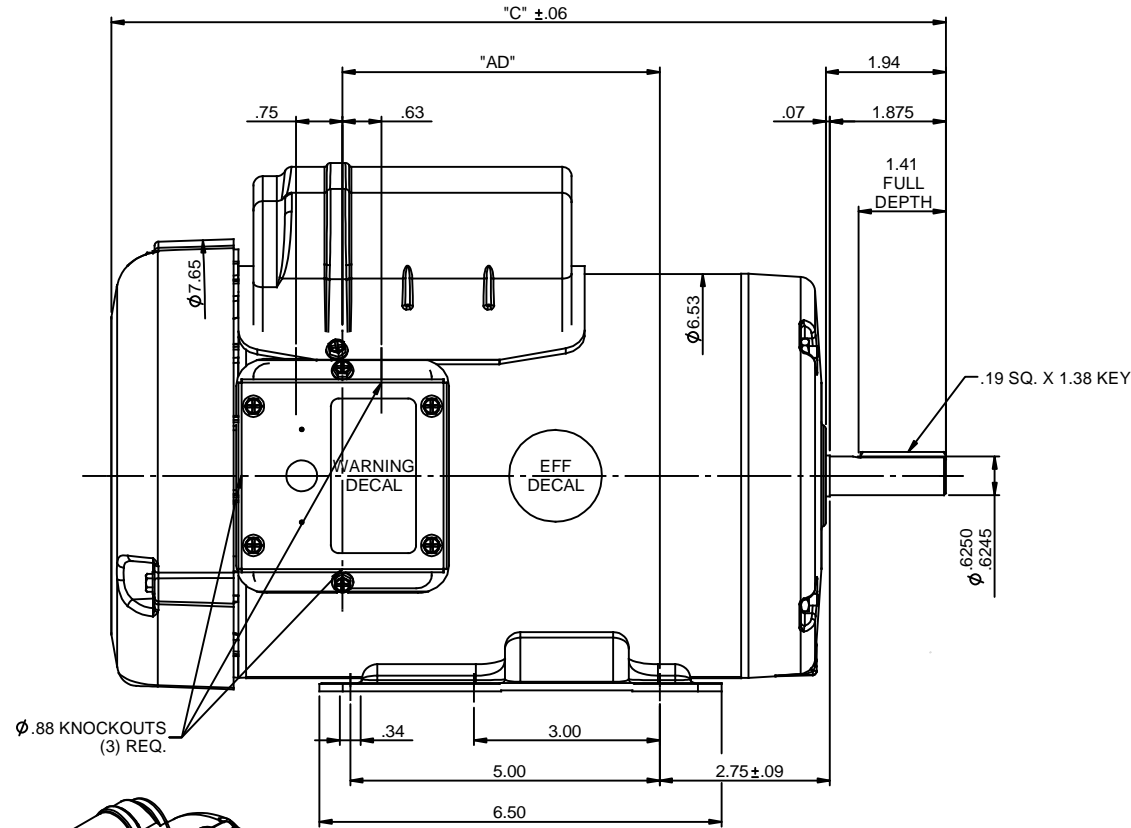


RBC PROPRIETARY AND CONFIDENTIAL INFORMATION
 This document is the property of REGAL BELOIT CORPORATION ("RBC") including its subsidiaries and divisions and contains proprietary information of RBC. This document is loaned on the express condition that neither it nor the information contained therein shall be disclosed to others without the express written consent of RBC, and that the information shall be used by the recipient only as approved expressly by RBC. This document shall be returned to RBC upon its request. This document may be subject to certain restrictions under U.S. export control laws and regulations.



DASH NO.	"C"	"AD"
650	11.99	3.63
700	12.49	4.13
750	12.99	4.63
800	13.49	5.13
850	13.99	5.63

NOTES:
 GASKETS THROUGHOUT

REVISION		BY & DATE	CHK	ANG	FINISH	SIZE	DRAWING NO	REV
THIRD ANGLE PROJECTION			RFP	12/02/08	PREV	B	028909	

TOLERANCES UNLESS SPECIFIED		LEESON ELECTRIC MOTORS GEARMOTORS AND DRIVES		DRAWN
DEC	INCHES	TITLE OUTLINE - H56H FRAME		GRB 12/02/08
X	±.1	TEFC - RIGID		CHK DJ 12/02/08
.XX	±.03	MATL		APPR DJ 12/02/08
.XXX	±.005	PAGE		SCALE 1:2
.XXX	±.0005	OF		REF OL110424
		NETWORK FILE NAME		FMF 110424.00