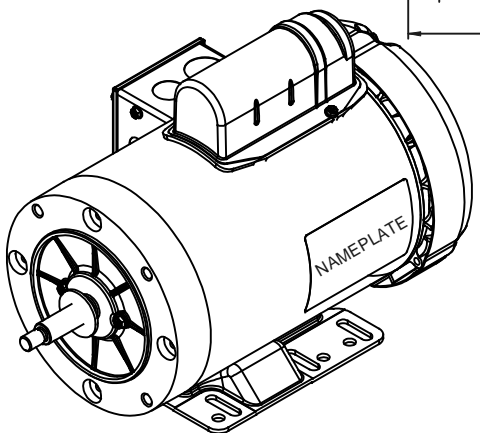
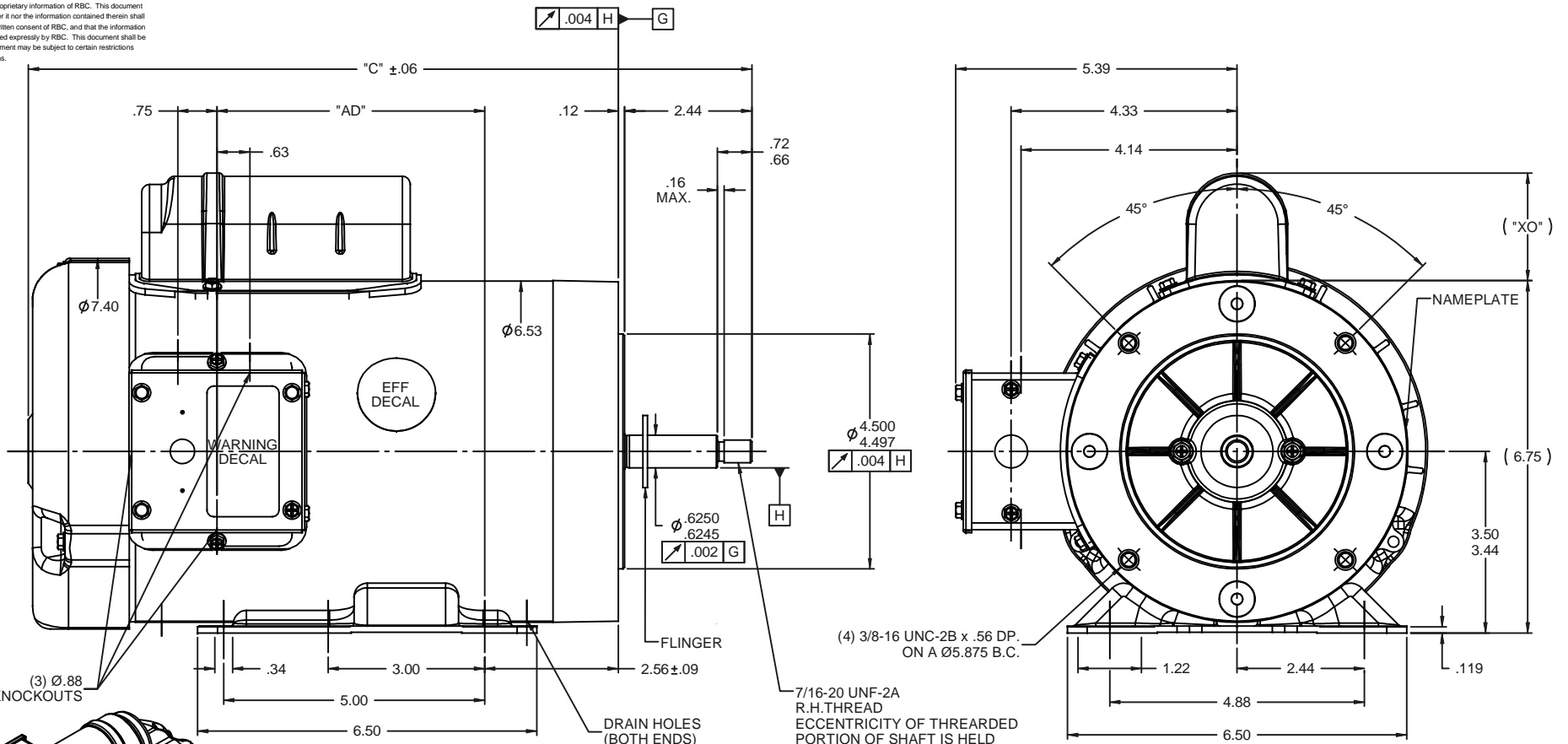


RBC PROPRIETARY AND CONFIDENTIAL INFORMATION
 This document is the property of REGAL BELOIT CORPORATION ("RBC") including its subsidiaries and divisions and contains proprietary information of RBC. This document is loaned on the express condition that neither it nor the information contained therein shall be disclosed to others without the express written consent of RBC, and that the information shall be used by the recipient only as approved expressly by RBC. This document shall be returned to RBC upon its request. This document may be subject to certain restrictions under U.S. export control laws and regulations.



DASH NO.	"C"	"AD"	CAP. DASH	"XO"
650	12.36	3.63		
700	12.86	4.13		
750	13.36	4.63	A	1.54
800	13.86	5.13	B	2.01
850	14.36	5.63	C	2.25

NOTES:
 1) GASKETS THROUGHOUT

TOLERANCES UNLESS SPECIFIED		LEESON ELECTRIC MOTORS GEARMOTORS AND DRIVES	DRAWN GRB 12/15/08
DEC	INCHES		
x	±.1	APPR DJ 12/15/08	
.xx	±.03	TITLE OUTLINE - 56J FRAME	SCALE 1:2
.xxx	±.005	TEFC - RIGID "C"	REF 028651
.xxxx	±.0005	MATL JET PUMP	FMF 113959.00
NO	REVISION	BY & DATE	PAGE 1 OF 1
	THIRD ANGLE PROJECTION	CHK ANG ±1/2°	REV
		RFP 12/15/08	SIZE B
		PREV	DRAWING NO 028923
		NETWORK FILE NAME	