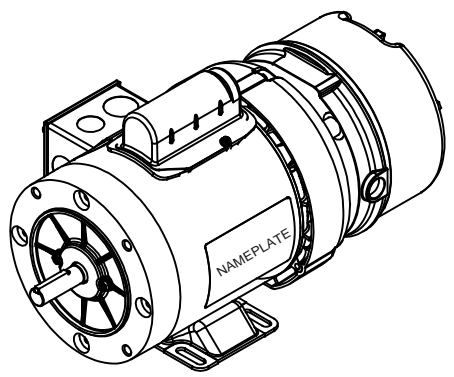
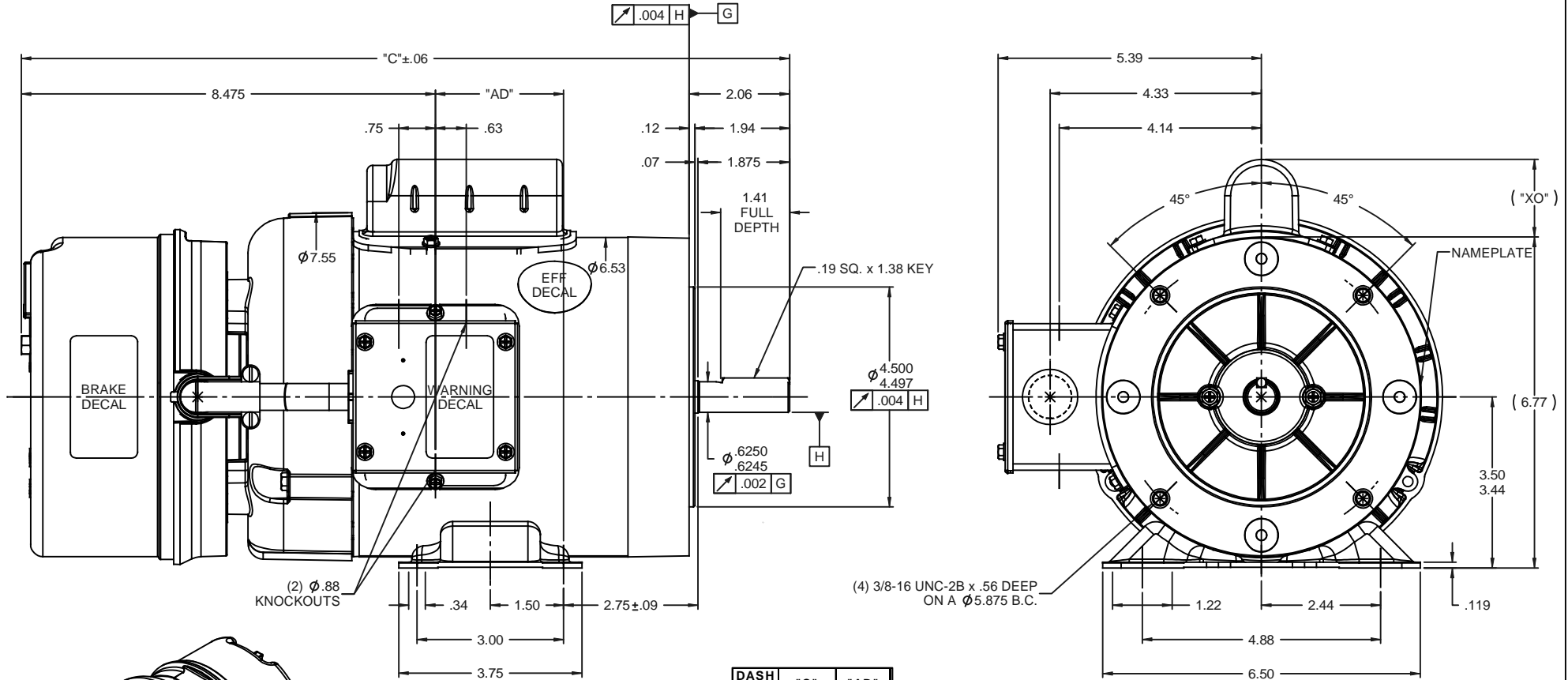


RBC PROPRIETARY AND CONFIDENTIAL INFORMATION  
 This document is the property of REGAL BELOIT CORPORATION ("RBC") including its subsidiaries and divisions and contains proprietary information of RBC. This document is loaned on the express condition that neither it nor the information contained therein shall be disclosed to others without the express written consent of RBC, and that the information shall be used by the recipient only as approved expressly by RBC. This document shall be returned to RBC upon its request. This document may be subject to certain restrictions under U.S. export control laws and regulations.



DASH NO.	"C"	"AD"	CAP DASH	"XO"
550	15.73	2.73	A	1.61
600	16.23	3.23	B	2.08
650	16.73	3.73	C	2.32
700	17.23	4.23		
750	17.73	4.73		

NOTE:  
1) GASKETS THROUGHOUT

REVISION		BY & DATE	CHK	ANG	±1/2°	FINISH	SIZE	DRAWING NO	REV
THIRD ANGLE PROJECTION			RFP	12/18/08	PREV		B	028933	

TOLERANCES UNLESS SPECIFIED		LEESON ELECTRIC MOTORS GEARMOTORS AND DRIVES		DRAWN
DEC	INCHES			GRB 12/18/08
x	±.1			CHK DJ 12/18/08
xx	±.03	TITLE OUTLINE - 56 FRAME		APPR DJ 12/18/08
xxx	±.005	TEFC - BRAKEMOTOR		SCALE 1:2
xxxx	±.0005	MATL		REF 033097
				FMF 111950.00
				PAGE 1 OF 1
		NETWORK FILE NAME		