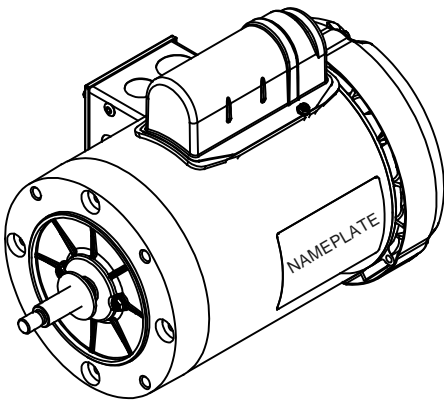
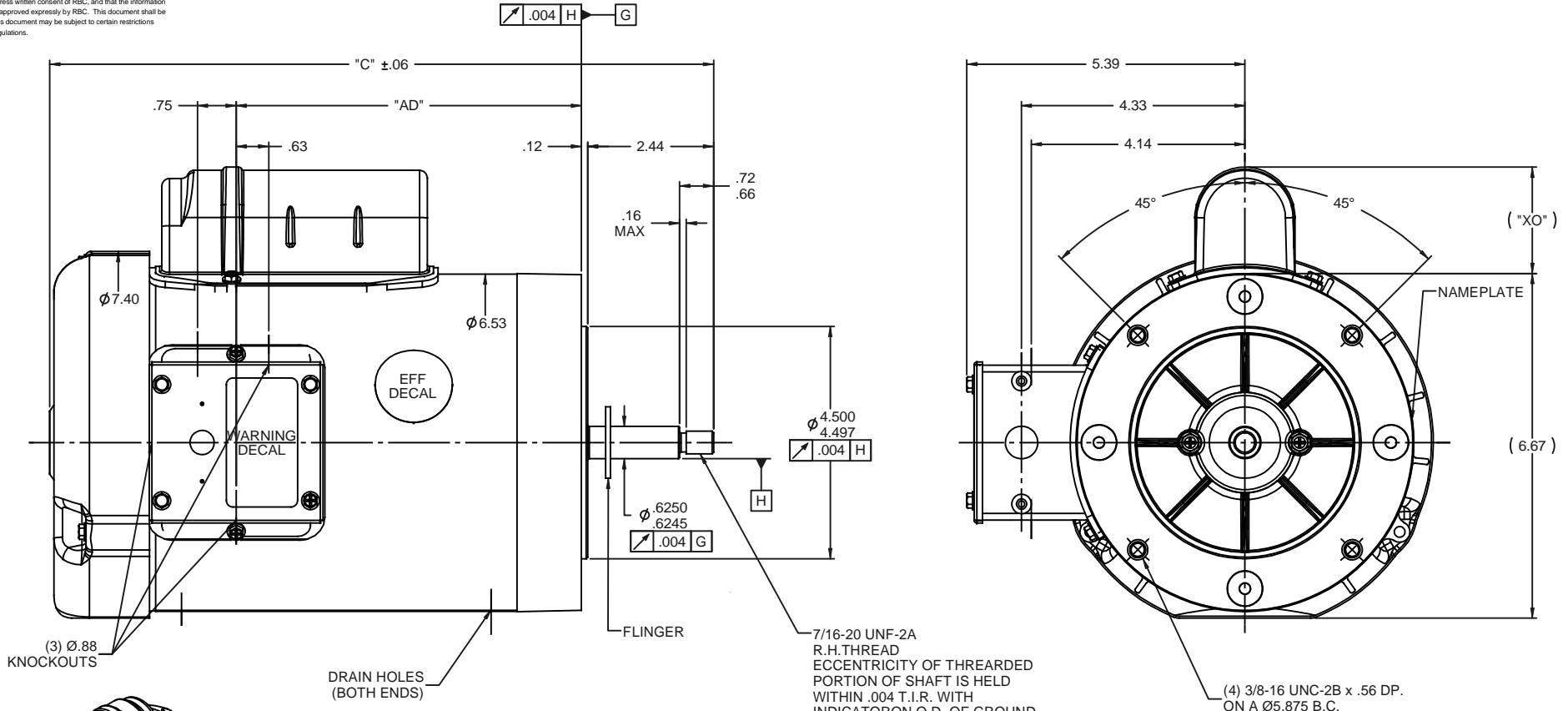


RBC PROPRIETARY AND CONFIDENTIAL INFORMATION
 This document is the property of REGAL BELOIT CORPORATION ("RBC") including its subsidiaries and divisions and contains proprietary information of RBC. This document is loaned on the express condition that neither it nor the information contained therein shall be disclosed to others without the express written consent of RBC, and that the information shall be used by the recipient only as approved expressly by RBC. This document shall be returned to RBC upon its request. This document may be subject to certain restrictions under U.S. export control laws and regulations.



DASH NO.	"C"	"AD"	CAP. DASH	"XO"
600	11.86	5.69	A	1.54
650	12.36	6.19	B	2.01
700	12.86	6.69	C	2.25
750	13.36	7.19		
800	13.86	7.69		

NOTES:
 1) GASKETS THROUGHOUT

				TOLERANCES UNLESS SPECIFIED			ELECTRIC MOTORS GEARMOTORS AND DRIVES	DRAWN GRB 12/19/08	
				DEC INCHES				CHK DJ 12/19/08	
				x ±.1				APPR DJ 12/19/08	
				.xx ±.03		TITLE OUTLINE - 56J FRAME		SCALE 1:2	
				.xxx ±.005		TEFC - "C" FACE		REF 028617	
				.xxx ±.005		MATL JET PUMP		FMF 113640.00	
NO				REVISION		BY & DATE		PAGE OF	
				THIRD ANGLE PROJECTION		CHK ANG ±1/2"		FINISH	
						RFP 12/19/08		PREV	
						NETWORK FILE NAME		SIZE DRAWING NO	
						B		028927	
								REV	