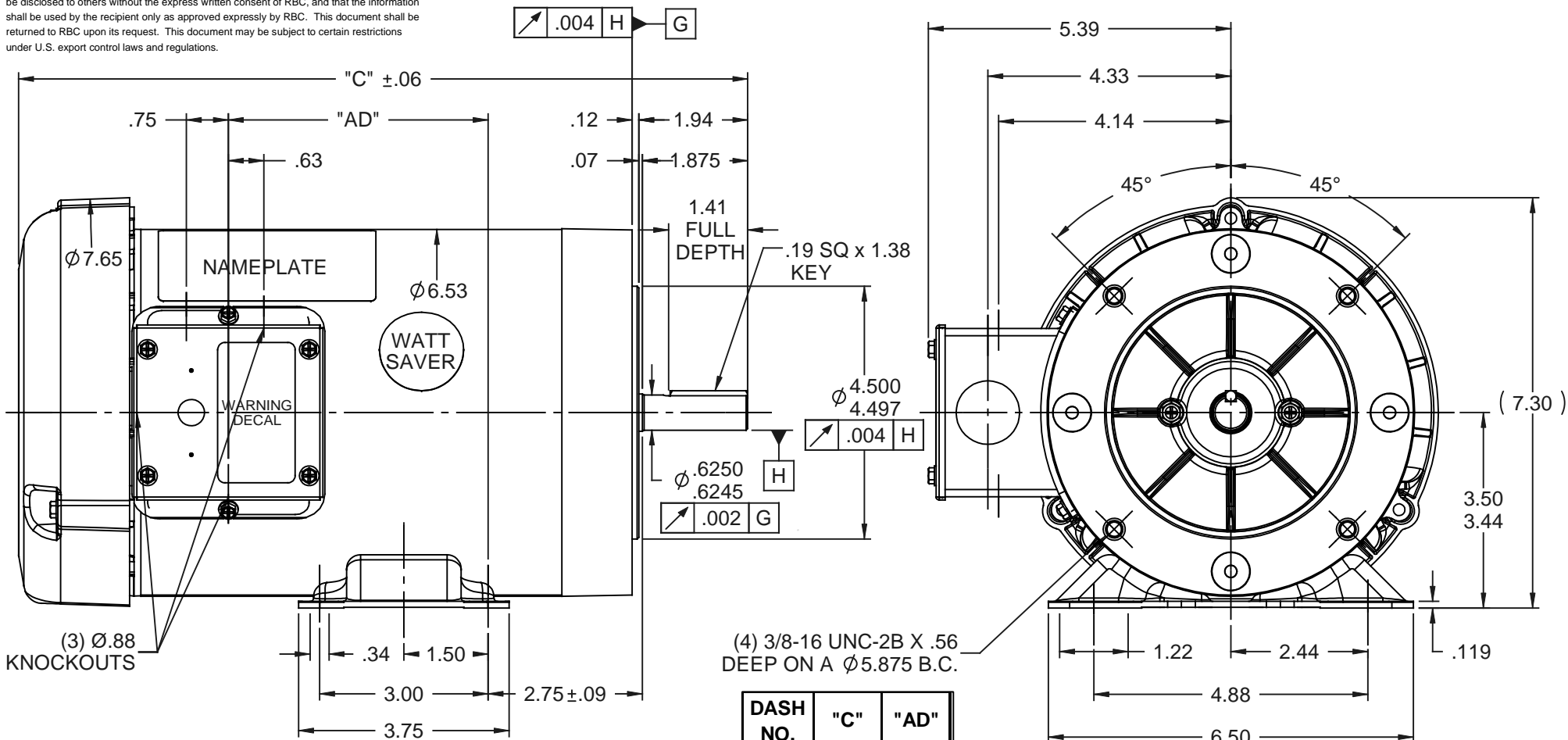



This document is the property of REGAL BELOIT CORPORATION ("RBC") including its subsidiaries and divisions and contains proprietary information of RBC. This document is loaned on the express condition that neither it nor the information contained therein shall be disclosed to others without the express written consent of RBC, and that the information shall be used by the recipient only as approved expressly by RBC. This document shall be returned to RBC upon its request. This document may be subject to certain restrictions under U.S. export control laws and regulations.



(4) 3/8-16 UNC-2B X .56 DEEP ON A Ø 5.875 B.C.

DASH NO.	"C"	"AD"
750	12.99	4.63
700	12.49	4.13
650	11.99	3.63
600	11.49	3.13
550	10.99	2.63

NOTES:  
1) GASKETS THROUGHOUT

				TOLERANCES UNLESS SPECIFIED		 ELECTRIC MOTORS GEARMOTORS AND DRIVES	DRAWN GRB 12/17/08	
				DEC	INCHES		CHK	DJ 12/17/08
				.X	±.1		APPR	DJ 12/17/08
				.XX	±.03		SCALE	3:8
				.XXX	±.005		REF	028703
				.XXXX	±.0005	FMF	116746.00	
NO	REVISION	BY & DATE	CHK	ANG	±1/2°	FINISH	PAGE 1 OF 1	
				RFP	12/17/08	PREV		
				NETWORK FILE NAME		SIZE	DRAWING NO	REV
						A	028931	

THIRD ANGLE PROJECTION

