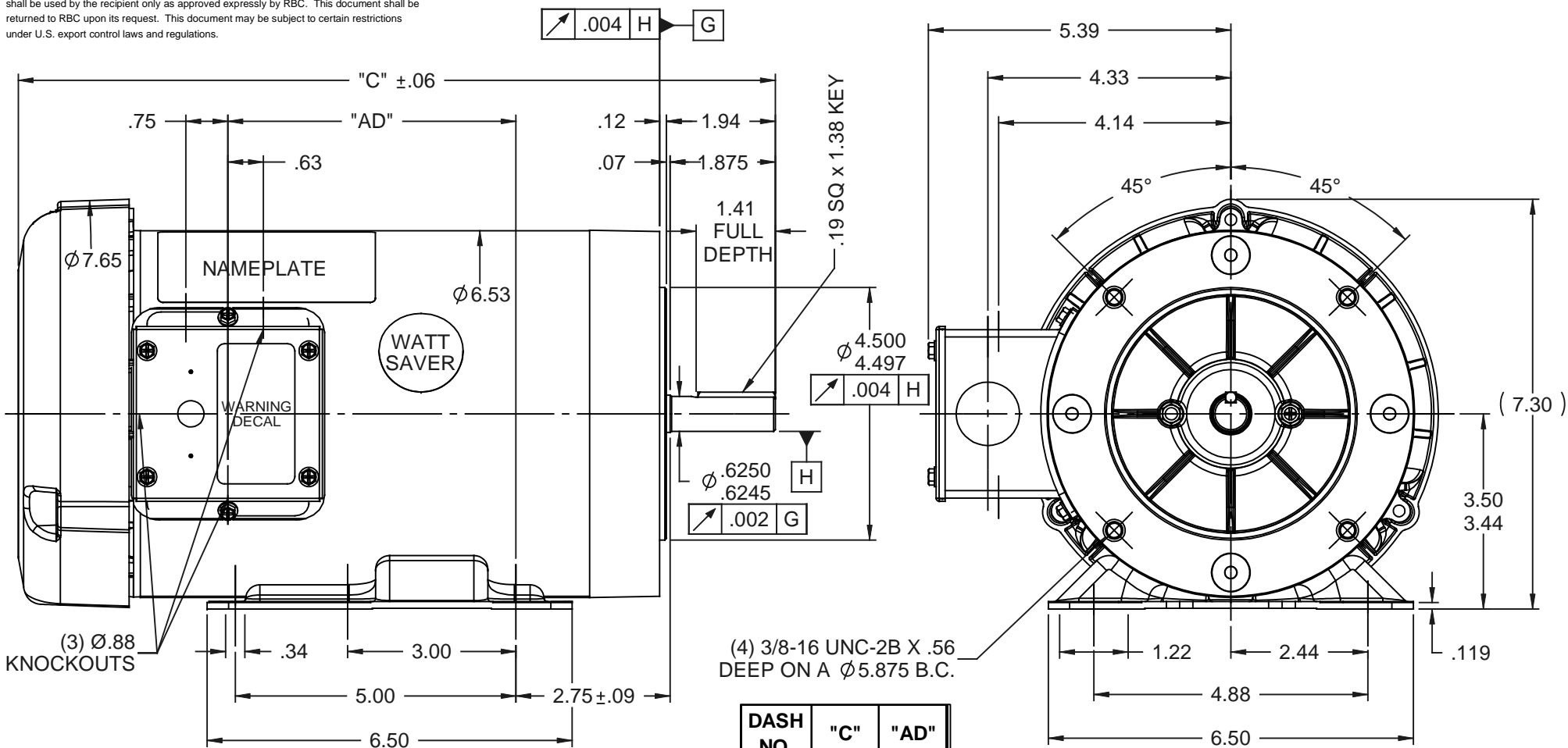


RBC PROPRIETARY AND CONFIDENTIAL INFORMATION

This document is the property of REGAL BELOIT CORPORATION ("RBC") including its subsidiaries and divisions and contains proprietary information of RBC. This document is loaned on the express condition that neither it nor the information contained therein shall be disclosed to others without the express written consent of RBC, and that the information shall be used by the recipient only as approved expressly by RBC. This document shall be returned to RBC upon its request. This document may be subject to certain restrictions under U.S. export control laws and regulations.



| DASH NO. | "C" | "AD" |
|----------|-------|------|
| 800 | 13.49 | 5.13 |
| 750 | 12.99 | 4.63 |
| 700 | 12.49 | 4.13 |
| 650 | 11.99 | 3.63 |

NOTES:
1) GASKETS THROUGHOUT

| | | | | | | | | |
|----|----------|-----------|-----|-----------------------------|----------|--|--------------------|---------------|
| | | | | TOLERANCES UNLESS SPECIFIED | | <p>ELECTRIC MOTORS GEARMOTORS AND DRIVES</p> | DRAWN GRB 12/18/08 | |
| | | | | DEC | INCHES | | CHK | DJ 12/18/08 |
| | | | | .X | ±.1 | | APPR | DJ 12/18/08 |
| | | | | .XX | ±.03 | | SCALE | 3:8 |
| | | | | .XXX | ±.005 | | REF | 028704 |
| | | | | .XXXX | ±.0005 | TITLE OUTLINE - 56HC FRAME TEFC - RIGID "C" | | FMF 116747.00 |
| | | | | MAT'L WATT SAVER | | PAGE 1 OF 1 | | |
| NO | REVISION | BY & DATE | CHK | ANG | ±1/2° | FINISH | | |
| | | | | RFP | 12/18/08 | PREV | SIZE | DRAWING NO |
| | | | | NETWORK FILE NAME | | A | | 028932 |
| | | | | | | | | REV |