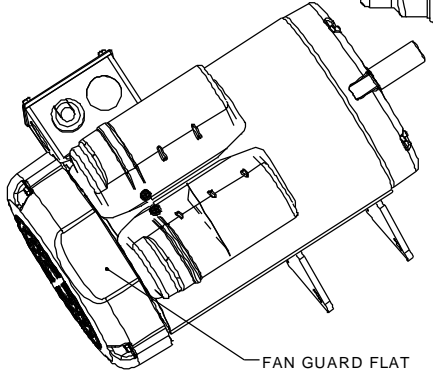
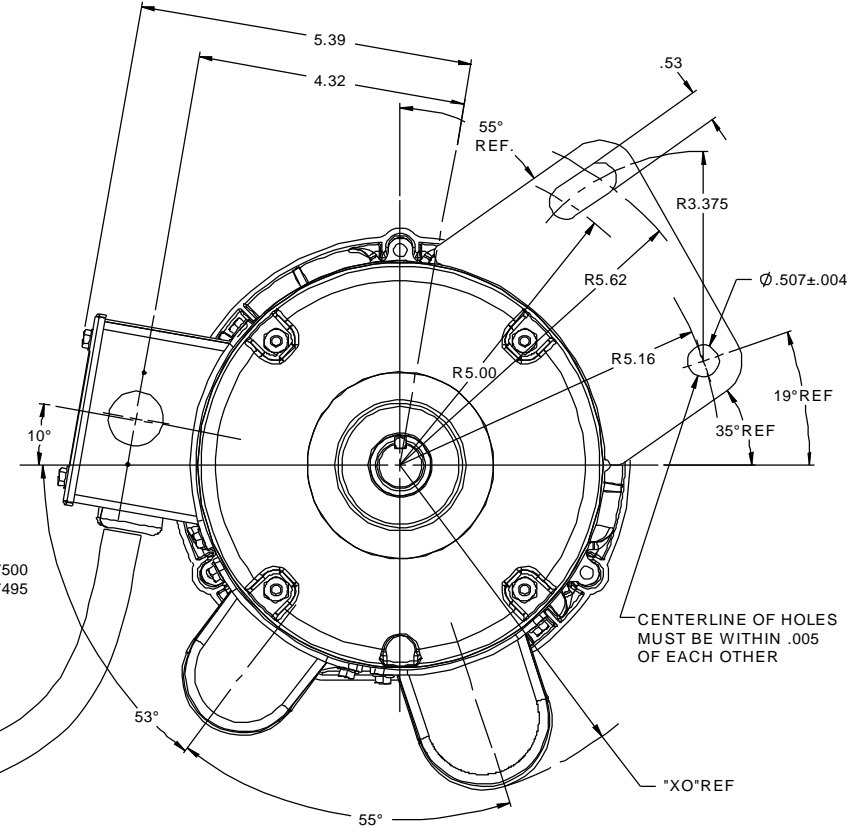
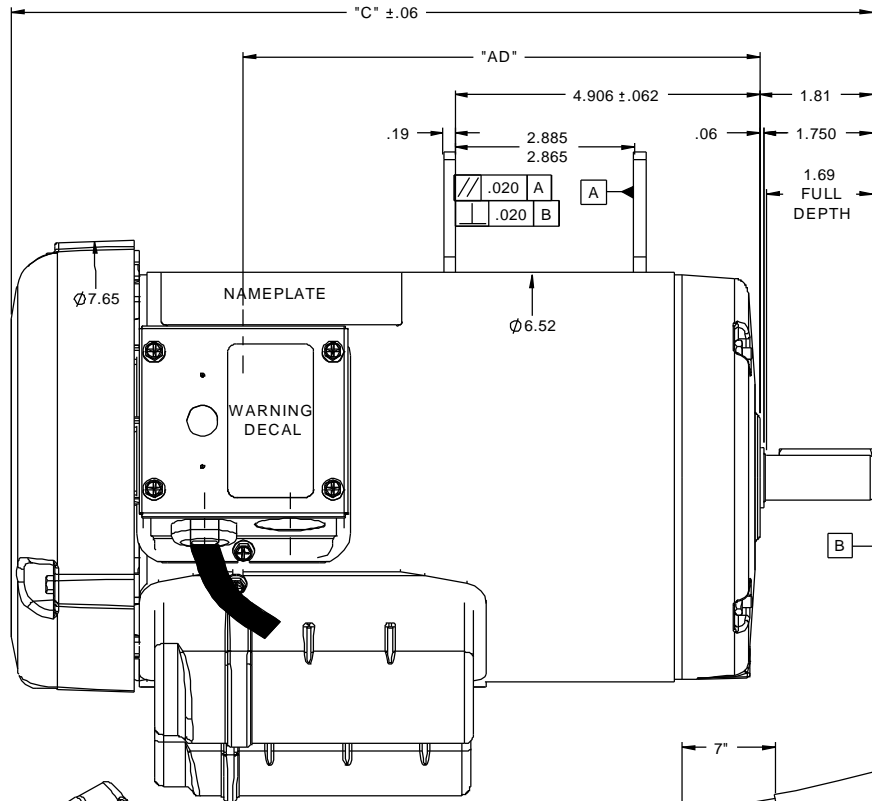


RBC PROPRIETARY AND CONFIDENTIAL INFORMATION
 This document is the property of REGAL BELOIT CORPORATION ("RBC") including its subsidiaries and divisions and contains proprietary information of RBC. This document is loaned on the express condition that neither it nor the information contained therein shall be disclosed to others without the express written consent of RBC, and that the information shall be used by the recipient only as approved expressly by RBC. This document shall be returned to RBC upon its request. This document may be subject to certain restrictions under U.S. export control laws and regulations.



#14-3 TYPE SJOW/SJOOW
 300 VOLT CORD
 50" LONG MIN

DASH NO.	"C"	"AD"	CAP DASH.	"XO"
800	12.36	6.74	A	5.17
850	12.86	7.24	B	5.55
			C	5.81

NOTES:
 GASKETS THROUGHOUT

TOLERANCES UNLESS SPECIFIED		DEC INCHES		TITLE	ELECTRIC MOTORS GEARMOTORS AND DRIVES	DRAWN DJ 12/22/08
XX	±.03	XXX	±.005			
XXX	±.005 <td>XXXX</td> <td>±.0005 <td>TEFC - SPECIAL MOUNT <td></td> <td>APPR VS 12/22/08</td> </td></td>	XXXX	±.0005 <td>TEFC - SPECIAL MOUNT <td></td> <td>APPR VS 12/22/08</td> </td>	TEFC - SPECIAL MOUNT <td></td> <td>APPR VS 12/22/08</td>		APPR VS 12/22/08
				MAT'L CONTRACTOR'S SAW <td></td> <td>SCALE 1:2</td>		SCALE 1:2
01	DIMENSIONED BASE HOLE ECR 0041996	GS	8/26/13	FINISH		REF 028587
	REVISION	BY & DATE	CHK ANG ±7.30°	PREV		FMF 120728.00
	THIRD ANGLE PROJECTION	RFP 12/08/08	NETWORK FILE NAME 028937	SIZE B	DRAWING NO 028937	PAGE 1 OF 1
						REV 01