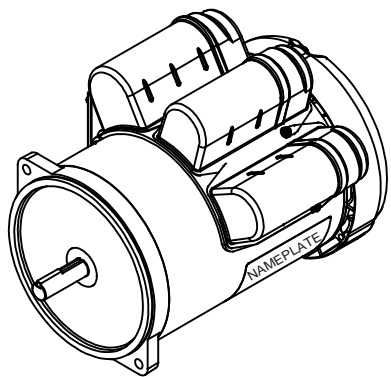
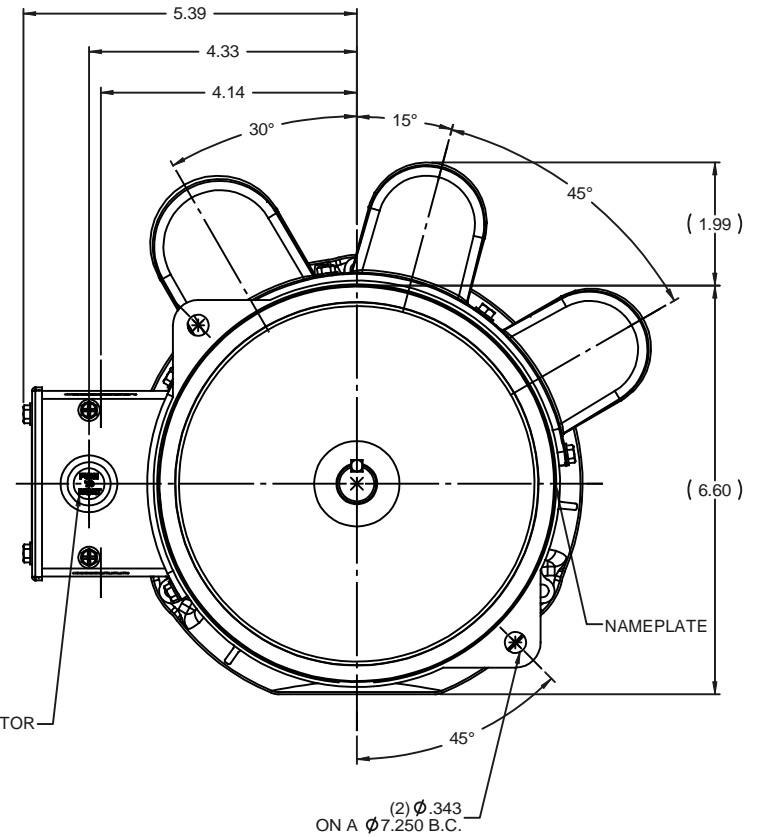
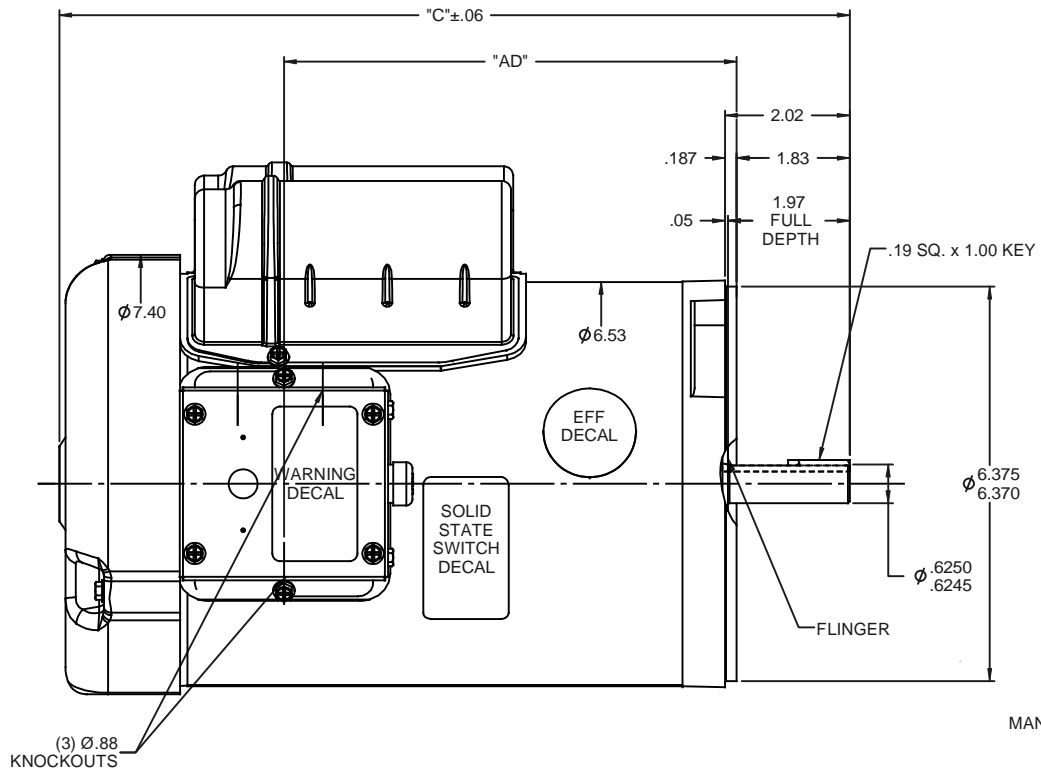


RBC PROPRIETARY AND CONFIDENTIAL INFORMATION  
 This document is the property of REGAL BELOIT CORPORATION ("RBC") including its subsidiaries and divisions and contains proprietary information of RBC. This document is loaned on the express condition that neither it nor the information contained therein shall be disclosed to others without the express written consent of RBC, and that the information shall be used by the recipient only as approved expressly by RBC. This document shall be returned to RBC upon its request. This document may be subject to certain restrictions under U.S. export control laws and regulations.



DASH NO.	"C"	"AD"
700	11.77	6.32
750	12.27	6.82
800	12.77	7.32
850	13.27	7.82

NOTE:  
 1) GASKETS THROUGHOUT

		TOLERANCES UNLESS SPECIFIED			ELECTRIC MOTORS GEARMOTORS AND DRIVES	DRAWN	DJ 01/06/09
		DEC	INCHES			CHK	RVD 01/06/09
		x	±.1	TITLE		APPR	RVD 01/06/09
		.xx	±.03	OUTLINE - J56NZ FRAME		SCALE	1:2
		.xxx	±.005	TEFC - OIL BURNER FLANGE		REF	OL113280
		.xxxX	±.0005	MATL		FMF	113280.00
NO	REVISION	CHK	ANG ±1/2°	FINISH	STANDARD	PAGE	1 OF 1
		BY & DATE		RFP	PREV	SIZE	DRAWING NO
		THIRD ANGLE PROJECTION		NETWORK FILE NAME	028939	<b>B</b>	<b>028939</b>
							REV