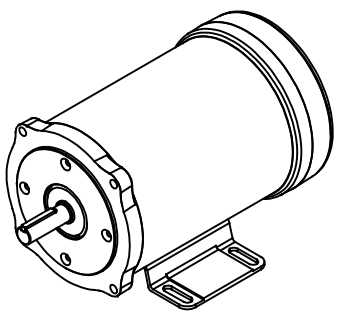


DASH NO.	"C"	"AD"
525	9.99	3.98
550	10.24	4.23
575	10.49	4.48
600	10.74	4.73
625	10.99	4.98
650	11.24	5.23
675	11.49	5.48
700	11.74	5.73



		TOLERANCES UNLESS SPECIFIED:		ELECTRIC MOTORS GEARMOTORS AND DRIVES	DRAWN VV 12/25/09
		DEC	INCHES		CHK JJK 12/25/09
		X	±.1		APPR
		.XX	±.03		SCALE 1:4
		.XXX	±.005	TITLE OUTLINE - 48 FRAME EXTREME DUCK	REF PR090327
		.XXXX	±.0005	S56 FRAME - C-FACE	FMF 103411.00
				MATL	PAGE OF
NO	REVISION	BY & DATE	CHK ANG ±1/2°	FINISH	REV
	THIRD ANGLE PROJECTION		RFP	PREV	SIZE DRAWING NO
			NETWORK FILE NAME	B	031979