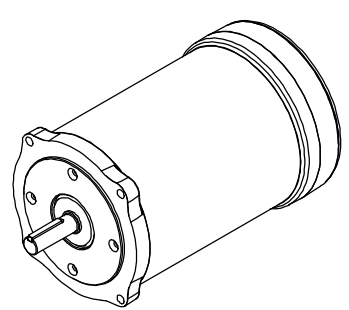


3/4" HEX DRIVER FOR COVER REMOVAL



DASH NO.	"C"	"AD"
525	9.99	6.55
550	10.24	6.80
575	10.49	7.05
600	10.74	7.30
625	10.99	7.55
650	11.24	7.80
675	11.49	8.05
700	11.74	8.30

		TOLERANCES UNLESS SPECIFIED		LEESON ELECTRIC MOTORS GEARMOTORS AND DRIVES		DRAWN VV 12/25/09	
		DEC INCHES				CHK JJK 12/25/09	
		X ±.1		TITLE OUTLINE - 48 FRAME EXTREME DUCK S56 FRAME - C-FACE		APPR	
		XX ±.03				SCALE 1:4	
		XXX ±.005				REF 103411.00	
01 NAME PLATE ADDED AS PER ECN#21615		JD 10/11/2011		XXXX ±.0005		MATL FMF 103413.00	
NO REVISION		BY & DATE		CHK LANG ±1/2"		PAGE 1 OF 1	
THIRD ANGLE PROJECTION		RFP		FINISH		SIZE DRAWING NO	
		NETWORK FILE NAME 031980		PREV		REV	
				SIZE B		DRAWING NO 031980	
						REV 01	