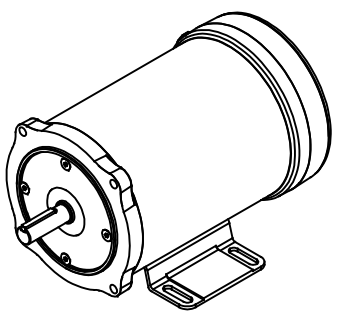


DASH NO.	"C"	"AD"
525	9.99	3.98
550	10.24	4.23
575	10.49	4.48
600	10.74	4.73
625	10.99	4.98
650	11.24	5.23
675	11.49	5.48
700	11.74	5.73



		TOLERANCES UNLESS SPECIFIED		LEESON ELECTRIC MOTORS GEARMOTORS AND DRIVES	DRAWN VV 12/25/09
		DEC	INCHES		CHK JJK 12/25/09
		X	±.1		APPR
		.XX	±.03	TITLE OUTLINE - 48 FRAME PREMIUM DUCK	SCALE 1:4
		.XXX	±.005	S56 FRAME - C-FACE	REF PR090327
		.XXX	±.0005	MATL	FMF 103387.00
NO	REVISION	BY & DATE	CHK ANG ±1/2°	FINISH	PAGE OF
	THIRD ANGLE PROJECTION		RFP	PREV	SIZE DRAWING NO
			NETWORK FILE NAME 031985		B 031985
					REV