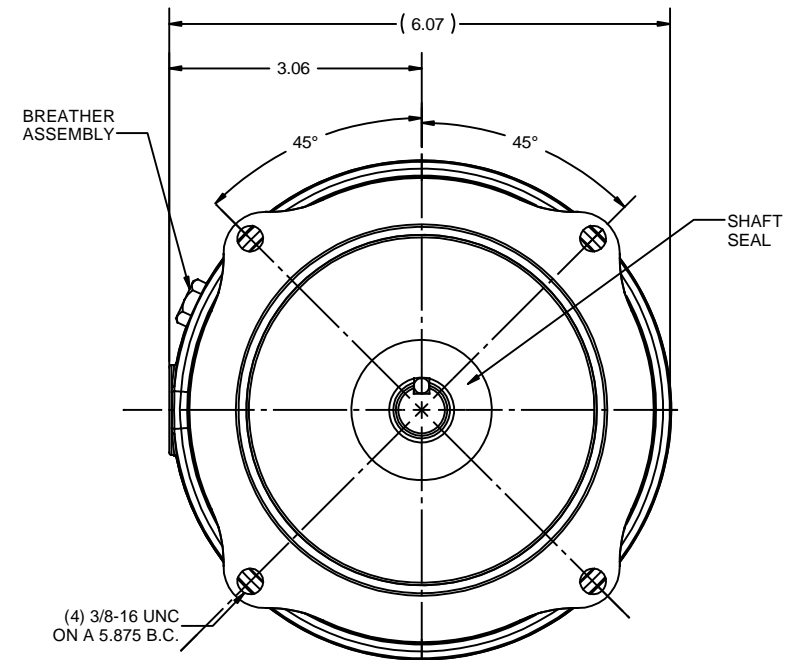
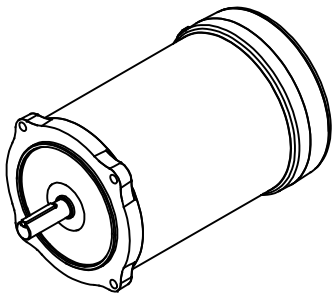


3/4" HEX DRIVER FOR COVER REMOVAL



DASH NO.	"C"	"AD"
525	9.99	6.55
550	10.24	6.80
575	10.49	7.05
600	10.74	7.30
625	10.99	7.55
650	11.24	7.80
675	11.49	8.05
700	11.74	8.30

		TOLERANCES UNLESS SPECIFIED:		<b>ELECTRIC MOTORS GEARMOTORS AND DRIVES</b>	DRAWN VV 12/25/09
		DEC	INCHES		CHK JJK 12/25/09
		X	±.1		APPR
		.XX	±.03	TITLE OUTLINE - 48 FRAME PREMIUM DUCK	SCALE 1:4
		.XXX	±.005	S56 FRAME - C-FACE	REF 103387.00
01	NAMEPLATE WAS PHANTOM	ARV 6/16/2011	PG. XXXX ±.0005	MATL	FMF 103389.00
NO	REVISION	BY & DATE	CHK ANG ±1/2"	FINISH	PAGE OF
THIRD ANGLE PROJECTION			RFP	PREV	SIZE DRAWING NO
			NETWORK FILE NAME 031986		<b>B</b> <b>031986</b>
					REV 01