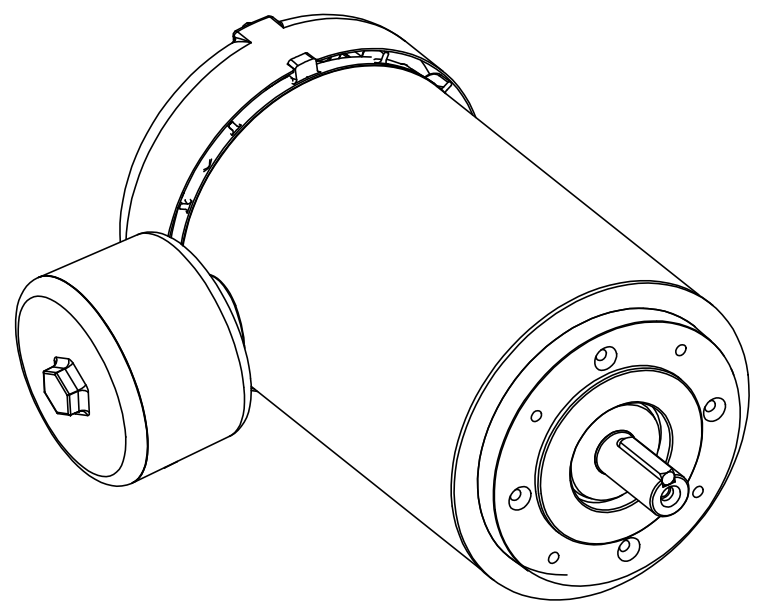


DASH NO	"C"	"AD"
625	10.23	5.71
650	10.48	5.96
675	10.73	6.21
700	10.98	6.46
725	11.23	6.71
750	11.48	6.96
775	11.73	7.21
800	11.98	7.46
825	12.23	7.71
850	12.48	7.96



		TOLERANCES UNLESS SPECIFIED		<b>LEESON</b> ELECTRIC MOTORS GEARMOTORS AND DRIVES	DRAWN VV 10/14/09
		DEC	INCHES		CHK
		.X	±.1	TITLE OUTLINE IEC-80 B14 FRAME	APPR
		.XX	±.03		SCALE 1:2
		.XXX	±.005		REF
		.XXXX	±.0005		FMF
NO	REVISION	BY & DATE	CHK	ANG ±7'30"	PAGE OF
THIRD ANGLE PROJECTION		RFP		FINISH	SIZE
		NETWORK FILE NAME 032001		PREV	DRAWING NO
					<b>B</b>
					<b>032001</b>
					REV