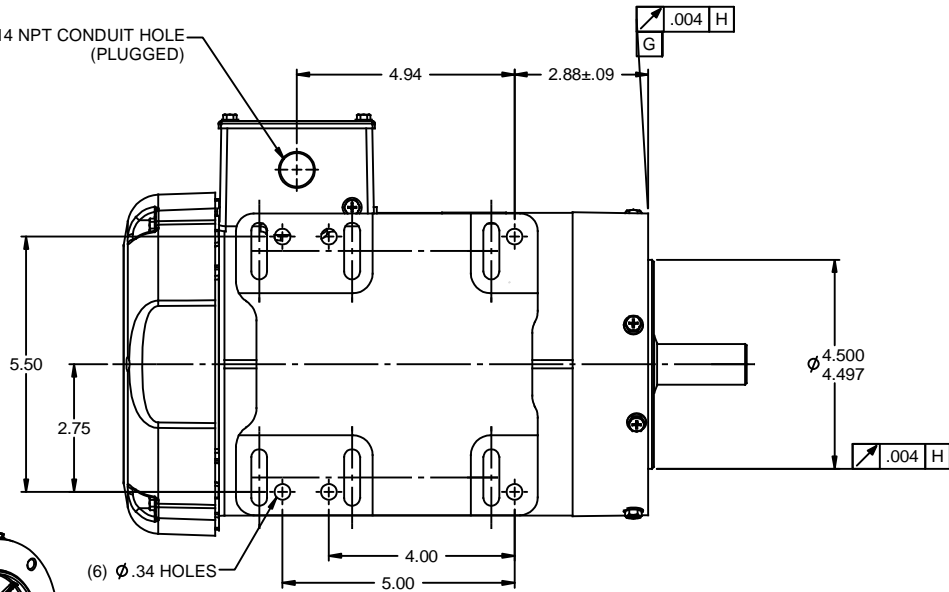
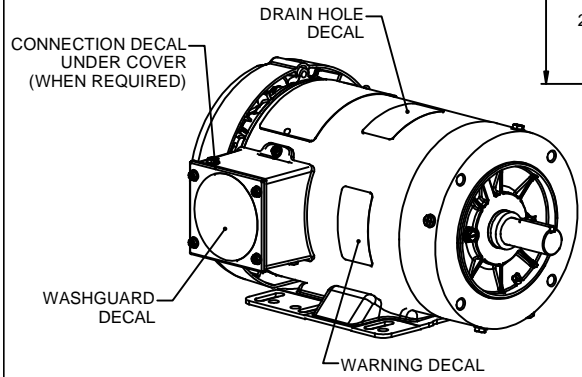


(1) 1/2-14 NPT CONDUIT HOLE (PLUGGED)



3/8-16 UNC-2B x .56 DEEP
(4) REQ'D. ON A Ø5.875 B.C.



WASHGUARD MOTOR

- SPECIAL FEATURES:
1. SHAFT SEALS & V-RING.
 2. PLUGGED DRAIN HOLES IN ENDBELLS & CONDUIT BOX.
 3. BUNA-N GASKETS THROUGHOUT.
 4. STAINLESS STEEL SHAFT, HARDWARE & NAMEPLATE.

		TOLERANCES UNLESS SPECIFIED		ELECTRIC MOTORS GEARMOTORS AND DRIVES	DRAWN JD 03/22/11
	DEC	INCHES			CHK
	X	±.1			APPR
	.XX	±.03			SCALE 3:8
	.XXX	±.005		REF 607-0003	
	.XXXI	±.0005		FMF 121870.00	
NO	REVISION	BY & DATE	CHK ANG ±1/2°	FINISH	PAGE OF
	THIRD ANGLE PROJECTION		RFP	PREV	SIZE DRAWING NO
			NETWORK FILE NAME OL121870		B OL121870