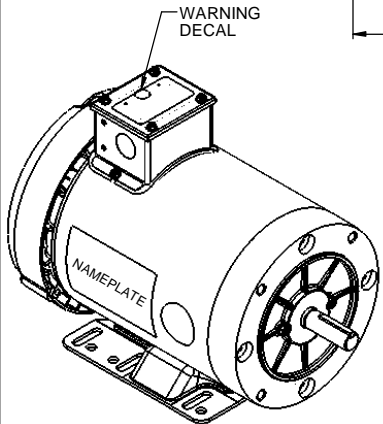
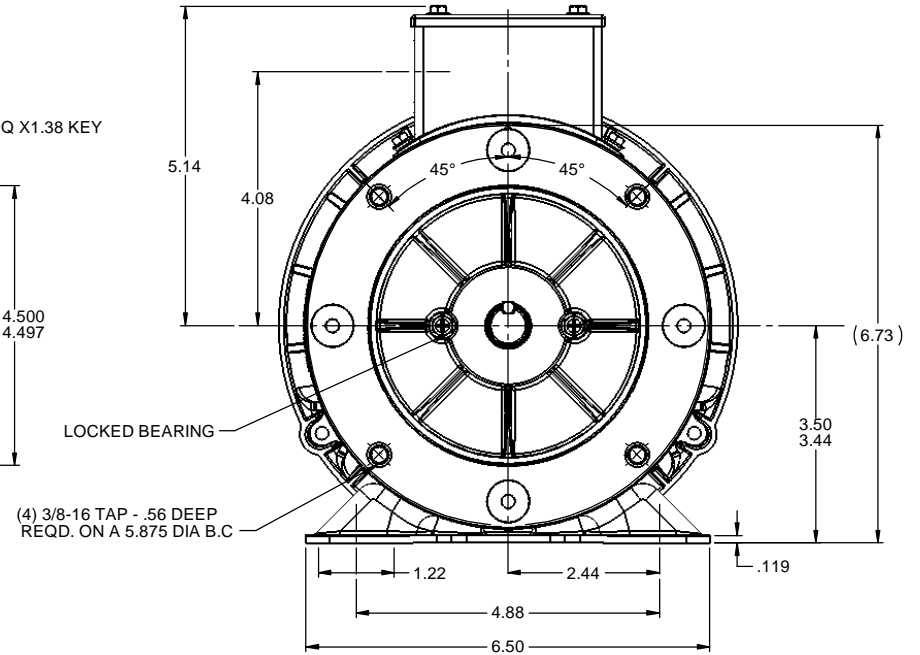
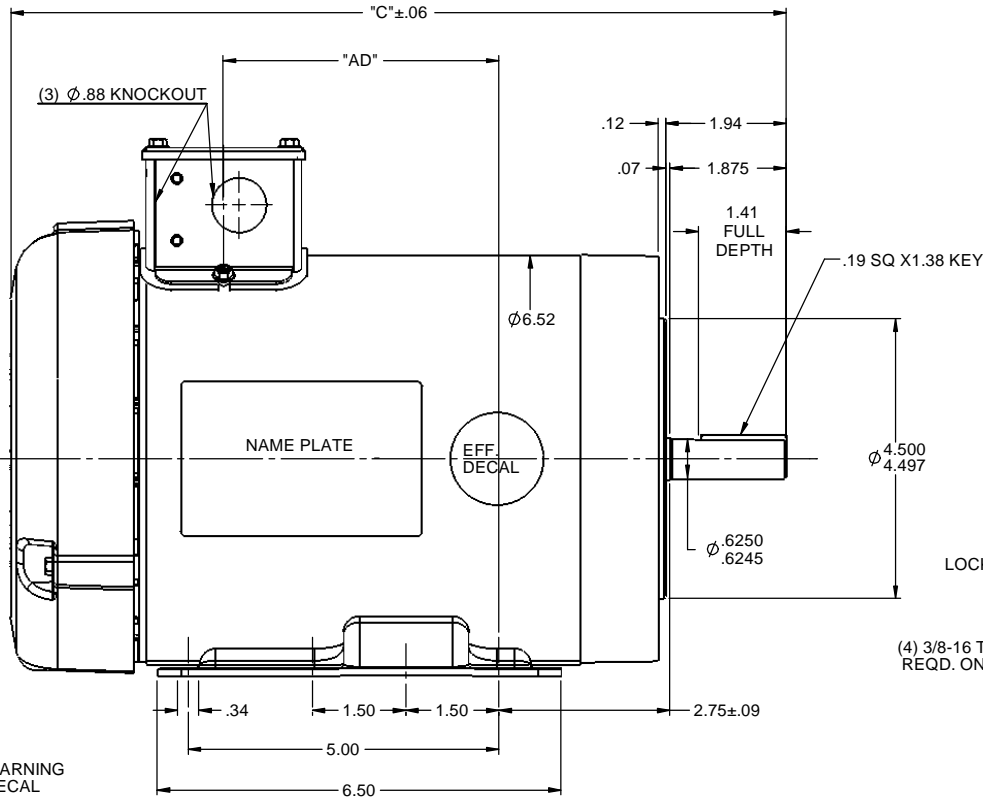


RBC PROPRIETARY AND CONFIDENTIAL INFORMATION
 This document is the property of REGAL BELOIT CORPORATION ("RBC") including its subsidiaries and divisions and contains proprietary information of RBC. This document is loaned on the express condition that neither it nor the information contained therein shall be disclosed to others without the express written consent of RBC, and that the information shall be used by the recipient only as approved expressly by RBC. This document shall be returned to RBC upon its request. This document may be subject to certain restrictions under U.S. export control laws and regulations.



MAXIMUM FACE RUNOUT TO BE .004 T.I.R
 MAXIMUM PILOT ECCENTRICITY .004 T.I.R
 PERMISSIBLE SHAFT RUNOUT .002 T.I.R

DASH NO.	"C"	"AD"
700	12.48	4.44
750	12.98	4.94
800	13.48	5.44
850	13.98	5.94
900	14.48	6.44

NOTE:
 1) GASKETS THROUGHOUT

TOLERANCES UNLESS SPECIFIED				LEESON	ELECTRIC MOTORS GEARMOTORS AND DRIVES	DRAWN JD 11/05/2011
DEC	INCHES		CHK VS 11/05/2011			
X	±.1					APPR
XX	±.03			TITLE OUTLINE - 56H FRAME		SCALE 1:2
XXX	±.005			C-FACE T.E.F.C		REF 607-0027
XXXX	±.0005			MATL GENERAL PURPOSE		FMF 117707.00
NO	REVISION	BY & DATE	CHK LANG ±1/2"	FINISH		PAGE OF
	THIRD ANGLE PROJECTION		RFP	PREV	SIZE B	DRAWING NO 607-0029
			NETWORK FILE NAME	607-0029		REV