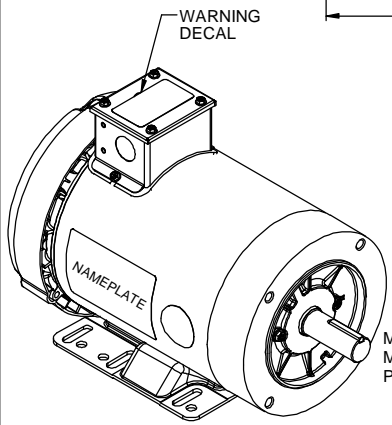
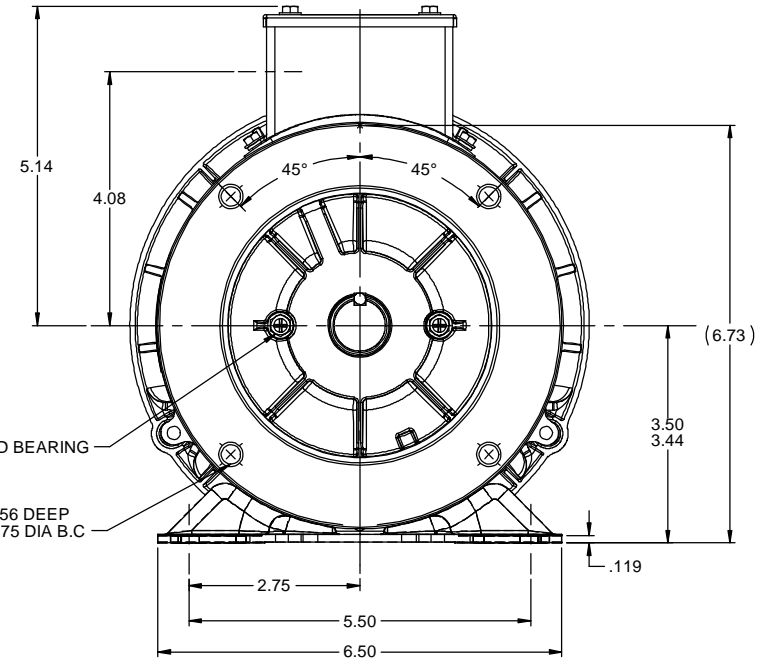
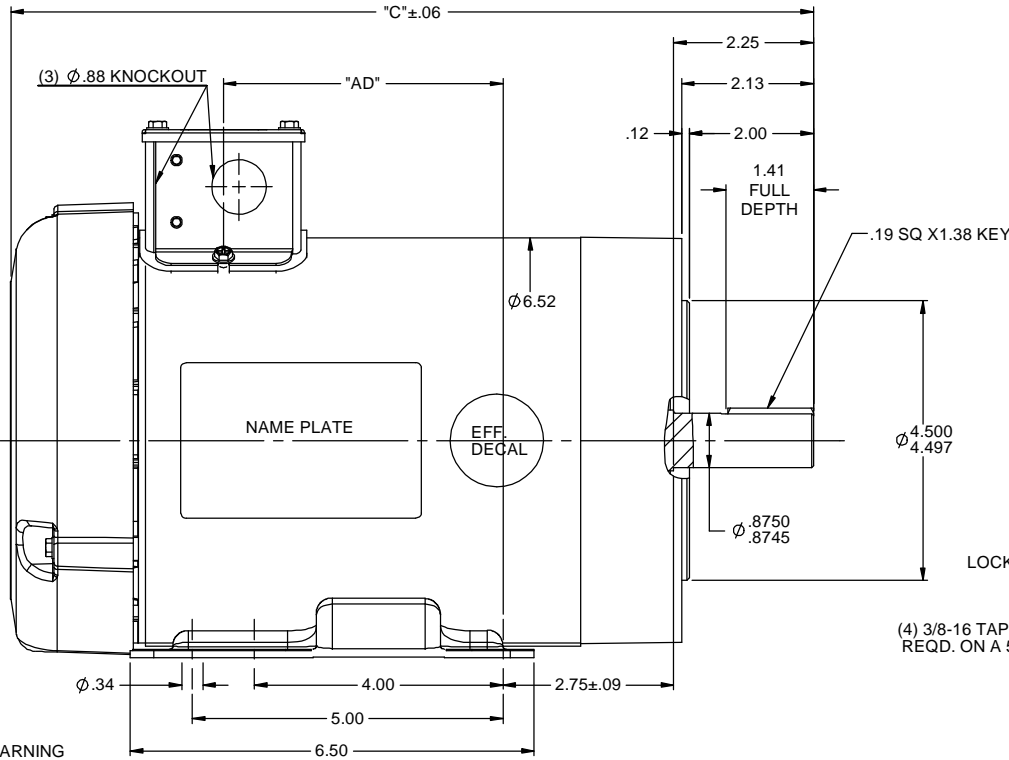


RBC PROPRIETARY AND CONFIDENTIAL INFORMATION
 This document is the property of REGAL BELOIT CORPORATION ("RBC") including its subsidiaries and divisions and contains proprietary information of RBC. This document is loaned on the express condition that neither it nor the information contained therein shall be disclosed to others without the express written consent of RBC, and that the information shall be used by the recipient only as approved expressly by RBC. This document shall be returned to RBC upon its request. This document may be subject to certain restrictions under U.S. export control laws and regulations.



MAXIMUM FACE RUNOUT TO BE .004 T.I.R
 MAXIMUM PILOT ECCENTRICITY .004 T.I.R
 PERMISSIBLE SHAFT RUNOUT .002 T.I.R

DASH NO.	"C"	"AD"
700	12.92	4.50
750	13.42	5.00
800	13.92	5.50
850	14.42	6.00
900	14.92	6.50

NOTE:
 1) GASKETS THROUGHOUT

		TOLERANCES UNLESS SPECIFIED		LEESON ELECTRIC MOTORS GEARMOTORS AND DRIVES		DRAWN JD 11/05/2011	
		DEC	INCHES			CHK VS 11/05/2011	
		X	±.1	TITLE OUTLINE - 140TC FRAME TEFC-RIGID "C" FACE MATL GENERAL PURPOSE		APPR	
		XX	±.03			SCALE 1:2	
		XXX	±.005			REF 607-0029	
		XXXX	±.0005			FMF 121982.00	
NO	REVISION	BY & DATE	CHK	ANG ±1/2°	FINISH	PAGE	OF
			RFP	PREV	SIZE	DRAWING NO	
			NETWORK FILE NAME 607-0030		B	607-0030	
						REV	