

EXTRUDED LOCATING NOTCH IS USED TO LOCATE THE PLATE IN THE FRAME, ALSO TO PREVENT ROTATION.

PLATE STAMPING
C-102230

PROTECTOR

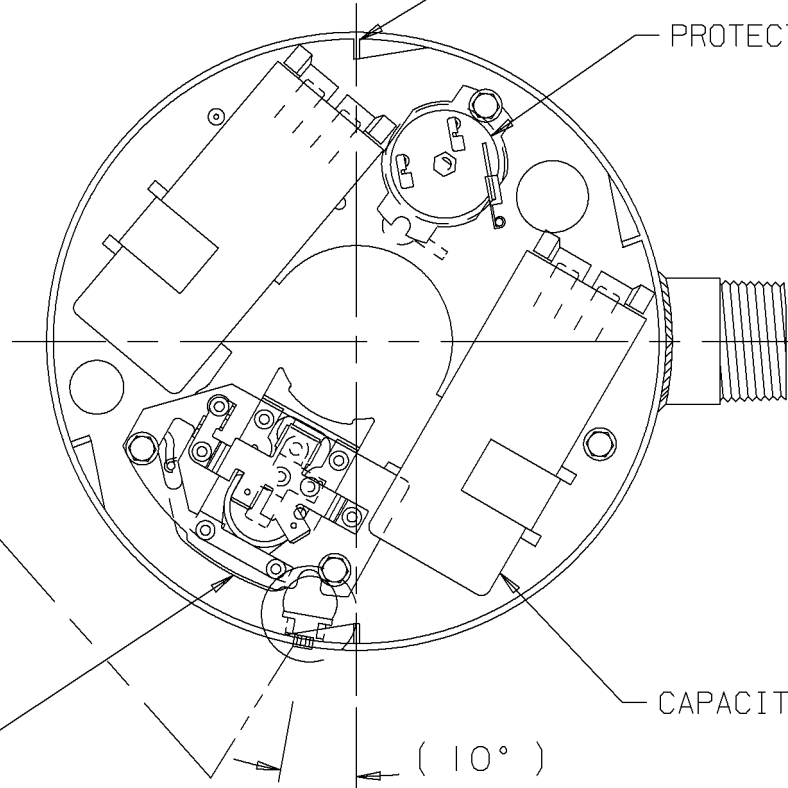
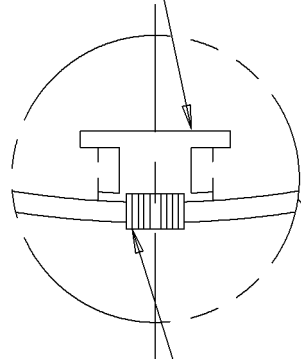
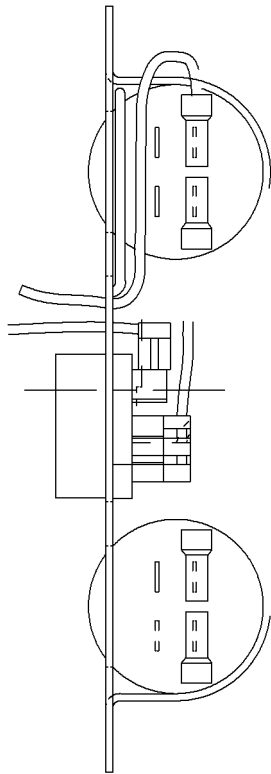
WELD


STATIONARY SWITCH

CAPACITOR

(10°)

VIEWING FROM LEAD END



				125 ✓ MAX. SURFACE ROUGHNESS UNLESS NOTED OTHERWISE	UNLESS OTHERWISE SPECIFIED DIMENSIONS ARE IN INCHES TOL. ON XX± XXX±.005 XXXX±.0005 ANGLES±		
2	07-19-96	MOVED LOCATING NOTCH 340° CN 21725-669	DRS	MATL SPEC	 MARATHON ELECTRIC WAUSAU, WISCONSIN 54401		DRAWN BY LZ 05-27-94
1	06-28-94	NEW DRAWING 4154887	LZ	FINISH			CHKD BY ML 06-01-94
REV	DATE	CHANGE	NAME	PART NAME	PLATE AND FRAME ASSEMBLY		DRWG NO A- S90887

SHOP BOOK

PURCHASED

DISTRIBUTION - WA - LB - WP - LM

CADD FILE NO.

S90887