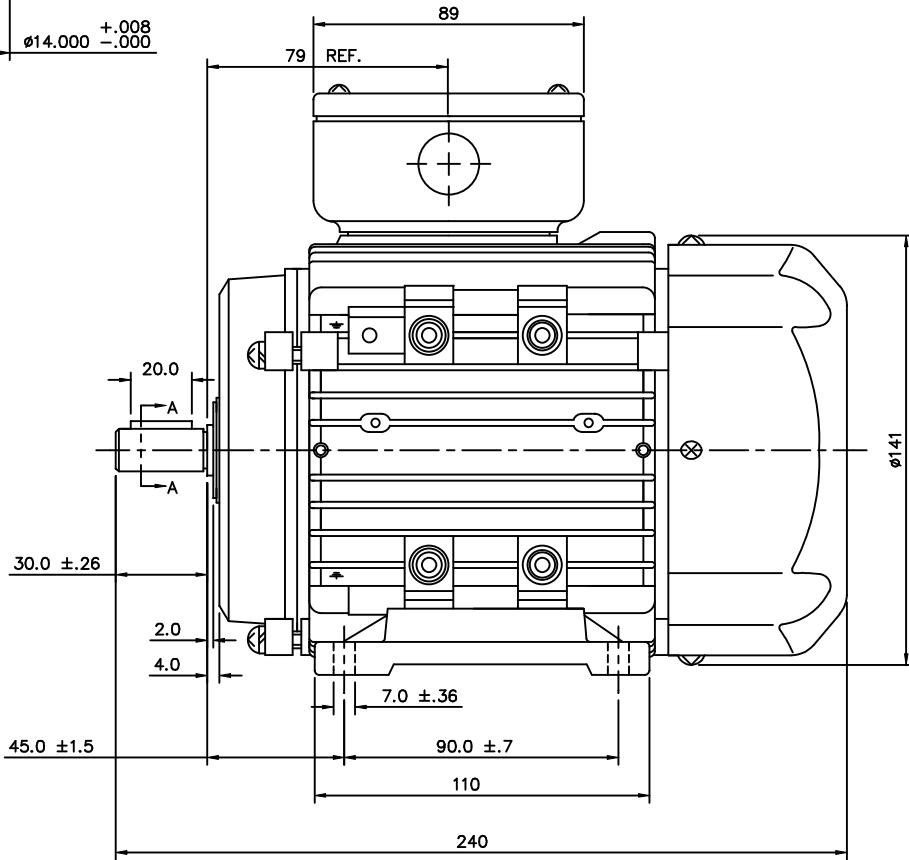
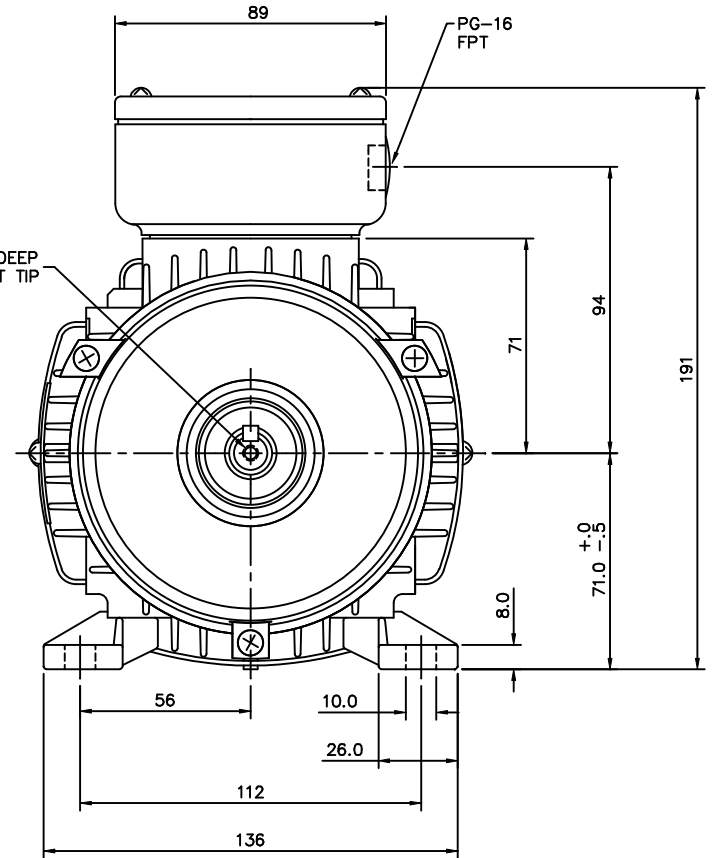


SECTION "A-A"



M5-.80 X 12.5 DEEP THREADED SHAFT TIP



		TOLERANCES UNLESS SPECIFIED		<b>LEESON</b>	ELECTRIC MOTORS GEARMOTORS AND DRIVES	DRAWN	ADS	
NO.	REVISION	BY & DATE	CHK			ANG	±	FINISH
			DEC.	METRIC	TITLE	SCALE	1=1.6	
			.X	±	METRIC MOTOR OUTLINE, IMB3	REF	OSVC-300-553	
			.XX	±	IEC-71 FRAME RIGID	FMF	LEESON STOCK	
			.XXX	±	ALUMINUM			
			.XXX	±				
			.XXXX	±				
			RFP		CAD FILE	16986000	SIZE	
			DIST				DRAWING NO.	
THIS DRAWING IN DESIGN AND DETAIL IS OUR PROPERTY AND MUST NOT BE USED EXCEPT IN CONNECTION WITH OUR WORK ALL RIGHTS OF DESIGN AND INVENTION ARE RESERVED THIS IS AN ELECTRONICALLY GENERATED DOCUMENT - DO NOT SCALE THIS PRINT							B	169860-00
							REV.	

ERROR: undefined  
OFFENDING COMMAND: Pscript\_WinNT\_Co

STACK: