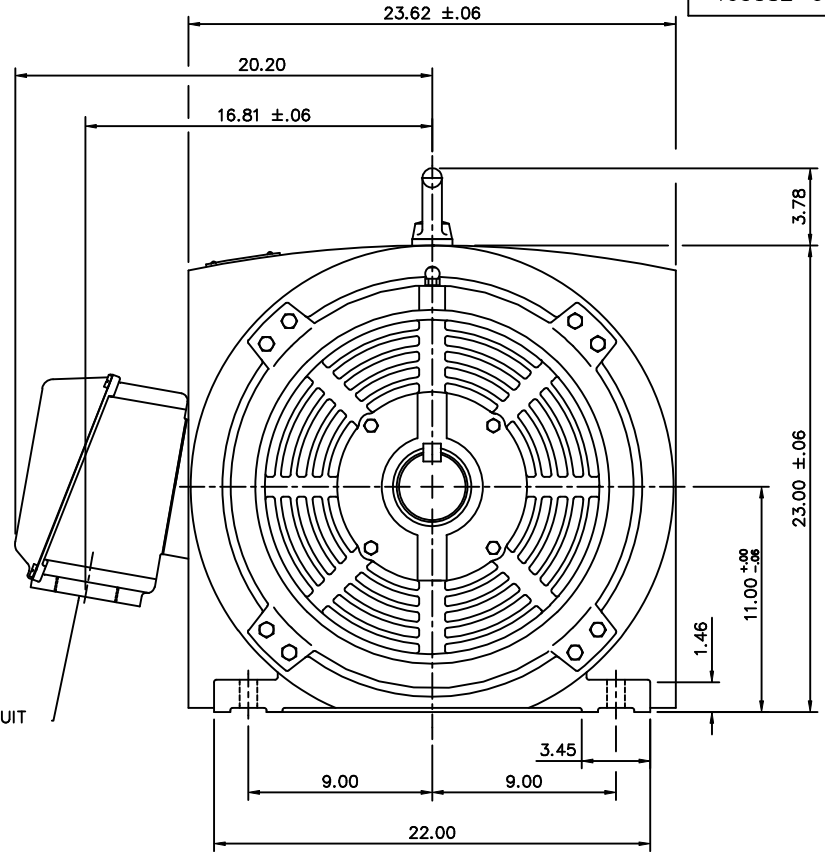
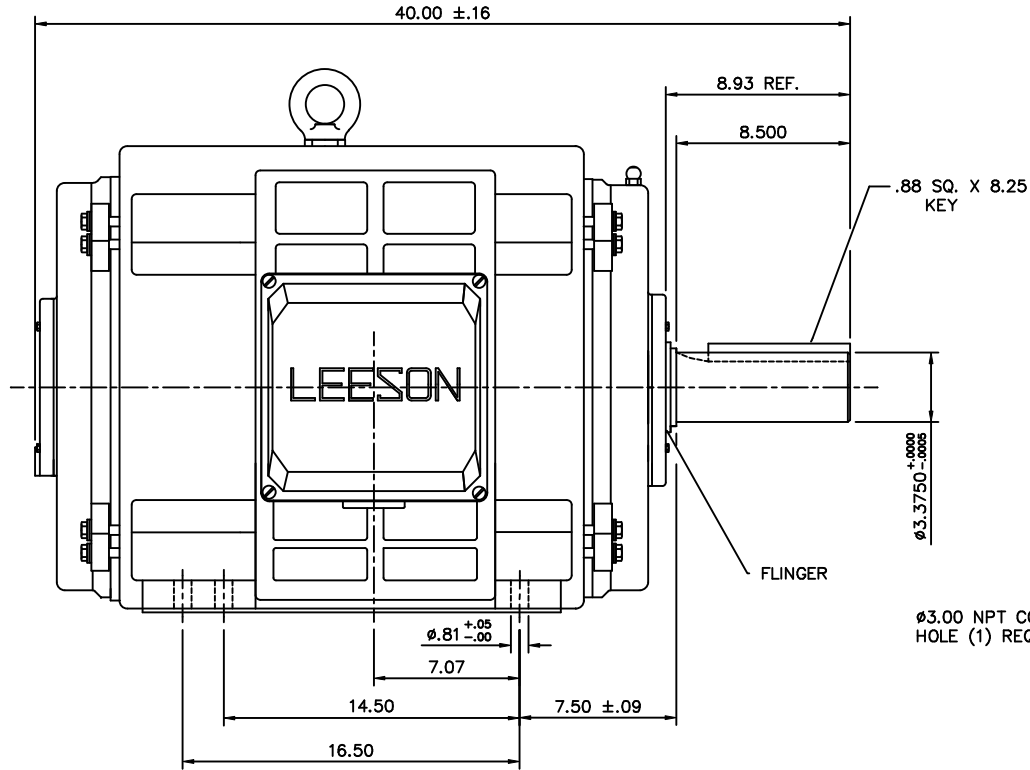


169582-60



				TOLERANCES UNLESS OTHERWISE SPECIFIED		LEESON ELECTRIC CORPORATION			
				DECIMALS					
				.00	± .03	DRAWN	LEM 10/01/99	TITLE OUTLINE - 444T/445T FRAME, OPEN DRIP PROOF, RIGID MOUNT, MEETS NEC/UL CON-BOX VOLUME = 13800 CC	
				.000	± .005	CH'K'D.	ADS 10/15/99		
				.0000	± .0005	APPR.	ADS 10/15/99	MAT'L.	
				FRACTIONS ± 1/64		SCALE 1=6		CAST IRON	
NO. REVISION BY DATE				ANGLES ± 1/2'		REF.	FINISH	SIZE	DRAWING NO.
THIS DRAWING IN DESIGN AND DETAIL IS OUR PROPERTY AND MUST NOT BE USED EXCEPT IN CONNECTION WITH OUR WORK ALL RIGHTS OF DESIGN AND INVENTION ARE RESERVED				INCH/MM		FMF		B	169582-60

```
ERROR: undefined
OFFENDING COMMAND: Pscript_WinN

STACK:
```