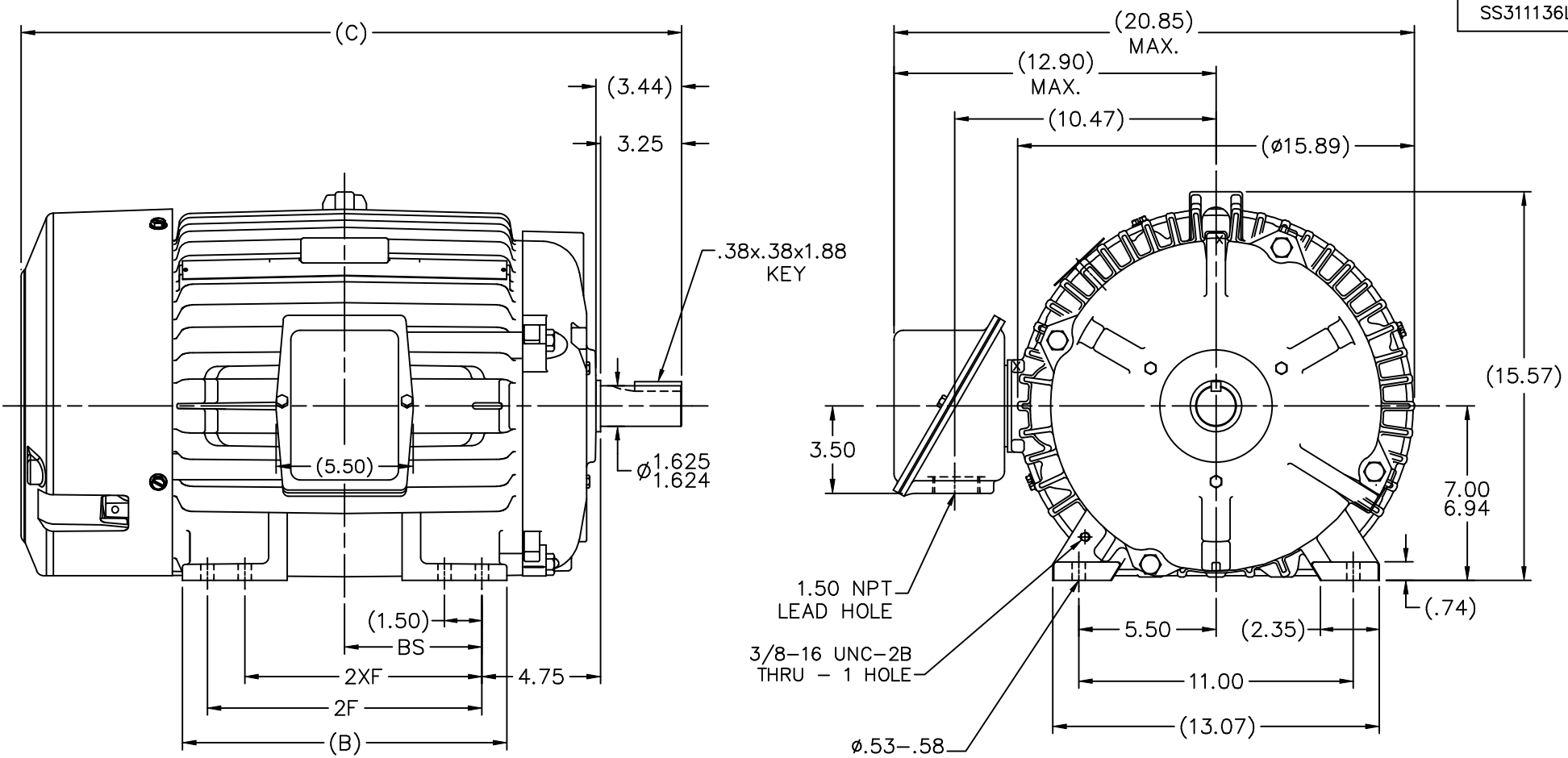


SS311136LE



- NOTES:
 1. BOX CAN ONLY BE ROTATED CLOCKWISE UP TO 270° FROM ITS ORIGINAL POSITION.
 2. NAMEPLATE TO BE READ FROM CONDUIT BOX SIDE OF MOTOR.
 3. BOX CAN BE MOUNTED ON OPPOSITE SIDE BY REMOVING BRACKETS AND TURNING FRAME 180°.

1275	284TS	24.97	----	12.50	9.50	----	4.75
1425	284/86TS	26.47	----	13.00	11.00	9.50	5.50
DASH	FRAME	C	AG	B	2F	2XF	BS

		TOLERANCES UNLESS SPECIFIED		LEESON	ELECTRIC MOTORS GEARMOTORS AND DRIVES	DRAWN R/JW 08-20-2007
DEC.	INCHES	CHK	ML 08-21-2007			
.X	±.1	APPD	DR 08-22-2007	TITLE OUTLINE - TEFC 280TS FR. - BB - STD - 12.50 LAM		SCALE 1=4
.XX	±.03	REF		MATERIAL		REF
.XXX	±.005	FMF	MUB1070	FINISH		PREV SS311136
.XXXX	±.0005	RFP	08-22-2007	CAD FILE ss311136LE	SIZE B	DRAWING NO. PAGE OF REV. SS311136LE
NO.	REVISION	BY & DATE	CHK ANG ±7°30'	DIST LB		

THIS DRAWING IN DESIGN AND DETAIL IS OUR PROPERTY AND MUST NOT BE USED EXCEPT IN CONNECTION WITH OUR WORK ALL RIGHTS OF DESIGN AND INVENTION ARE RESERVED THIS IS AN ELECTRONICALLY GENERATED DOCUMENT - DO NOT SCALE THIS PRINT