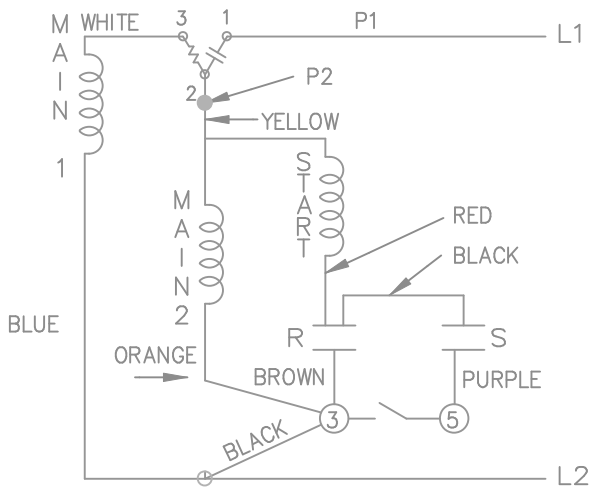
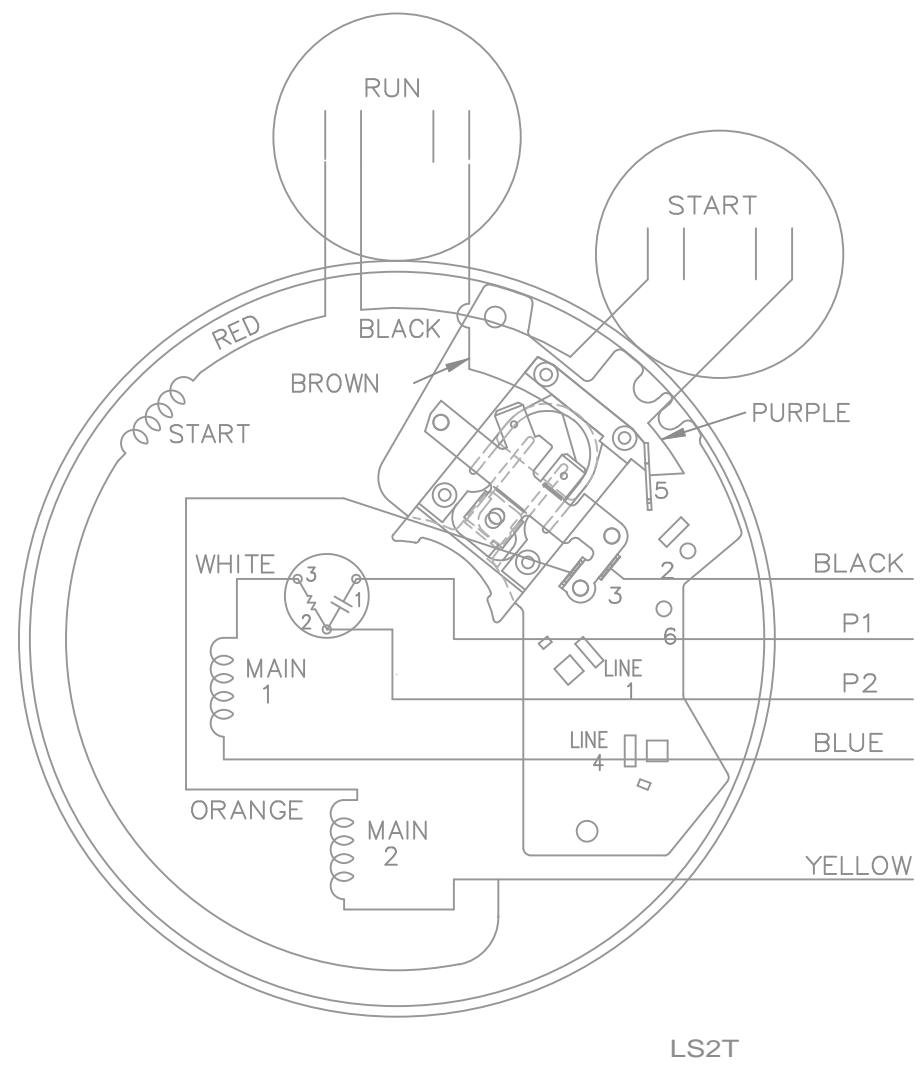
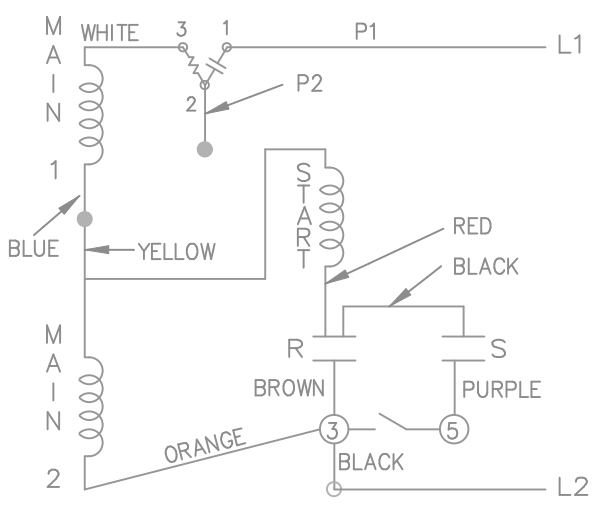


LOW VOLTAGE F.C.W.

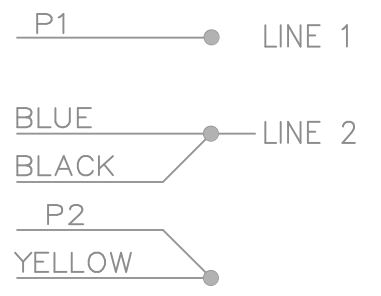


HIGH VOLTAGE F.C.W.

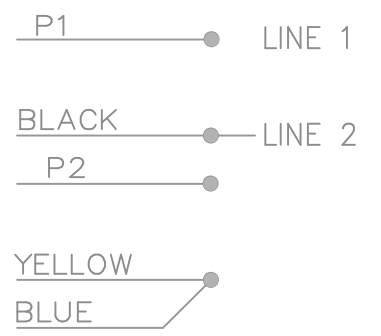



DUAL VOLTAGE
CAP. START-CAP. RUN
OVERLOAD FIXED CW
ROTATION.

LOW VOLT. CCW ROT.



HIGH VOLT. CW ROT.



				TOLERANCES UNLESS SPECIFIED		 ELECTRIC MOTORS GEARMOTORS AND DRIVES	DRAWN VL 04-08-2008					
				DEC.	INCHES		CHK					
				.X	±.1		APPD VL 04-08-2008					
				.XX	±.02		SCALE 5=8					
				.XXX	±.005		REF					
				.XXXX	±.0005	FMF						
NO.	REVISION	BY & DATE	CHK	ANG	±7'30"	FINISH	PREV					
THIS DRAWING IN DESIGN AND DETAIL IS OUR PROPERTY AND MUST NOT BE USED EXCEPT IN CONNECTION WITH OUR WORK ALL RIGHTS OF DESIGN AND INVENTION ARE RESERVED THIS IS AN ELECTRONICALLY GENERATED DOCUMENT - DO NOT SCALE THIS PRINT				RFP	04-08-2008	CAD FILE	102006_130_LE	SIZE	DRAWING NO.	PAGE	OF	REV.
				DIST	WP			A	102006_130_LE			