

ABB micro drives ACS250 600 V AC, 1 to 20 hp



ABB micro drive ACS250 with 600 V AC supply offers easy to use and compact solutions for general purpose low power applications, such as; screws, mixers, pumps, fans and conveyors. The key features include a built-in safe torque-off (STO), Modbus RTU and CANopen communication interfaces.



Product highlights

- Easy to use, compact design
- High performance vector control
- Input voltage 500 to 600 V +/- 10%
- Built-in safe torque-off (STO) complies with EN62061 SIL level 2
- Built-in braking chopper in all types
- Built-in communication with Modbus RTU and CANopen® interfaces
- Rated for 150% overload for 60 sec as standard
- DIN rail mounting
- Pluggable control terminals
- Remote keypad available as an option

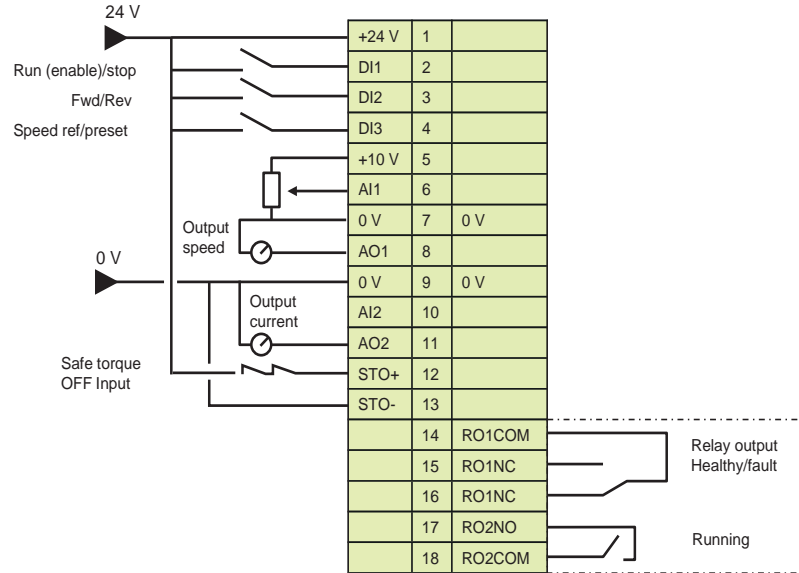
Supporting options

- Remote keypad (RCRP-01) provides easy cabinet installations
- Parameter upload/download tool (RCCS-01) for straightforward commissioning
- Relay output card (RCRO-01)
- UL Type 4X/IP66 frames for harsh environments up to 15 hp
- Disconnect switch for UL Type 4X/IP66 frames

Part of ABB micro drives portfolio

The ACS250 drive is part of ABB's complete micro drive range, which offers a solution for every need:

- Drives for simple to more complex machines
- Full voltage range from 110 to 600 V
- Enclosures IP20 and IP66
- Power range up to 20 hp



Supply connection	
Voltage	500 to 600 V +/- 10%
Power range	1 to 20 hp (0.75 to 15 kW)
Frequency	48 to 62 Hz
Connections	
Voltage	3-phase from 0 to U_{SUPPLY}
Frequency	0 to 500 Hz, 0.1 Hz resolution
Overload capacity	150% for 60 seconds
Motor control methods	Vector control

Product compliance	
CE, UL, cUL, C-Tick, Gost	
Environmental limits	
Degree of protection	UL Type Open/IP20/UL Type Open/IP20
Ambient temperature	Operating -10 to 50 °C
Relative humidity	95% max (without condensation)

Output ratings			Type designation	Frame size	Height mm	Width mm	Depth mm	Weight kg
$P_{N,HD}$ kW	$P_{N,HD}$ hp	I_{2N} A						
3-phase AC supply, 500 to 600 V								
0.75	1	2.1	ACS250-03U-02A1-6	P2	221	112	185	1.8
1.5	2	3.1	ACS250-03U-03A1-6	P2	221	112	185	1.8
2.2	3	4.1	ACS250-03U-04A1-6	P2	221	112	185	1.8
4	5	6.5	ACS250-03U-06A5-6	P2	221	112	185	1.8
5.5	7.5	9	ACS250-03U-09A0-6	P2	221	112	185	1.8
7.5	10	12	ACS250-03U-12A0-6	P3	261	131	205	3.5
11	15	17	ACS250-03U-17A0-6	P3	261	131	205	3.5
15	20	22	ACS250-03U-22A0-6	P3	261	131	205	3.5

U within the type code = EMC disconnected

For more information please contact your local ABB representative or visit:

www.abb.com/drives
www.abb.com/drivespartners

© Copyright 2013 ABB. All rights reserved.
 Specifications subject to change without notice.