

# **BALDOR**® • ***RELIANCE***

## **Product Information Packet**

# **VS1GV43-1B**

**VS1GV-AA,480AC,3PH,3HP**

Copyright © All product information within this document is subject to Baldor Electric Company copyright © protection, unless otherwise noted.

Nameplate NP1876									
CAT.NO.	VS1GV43-1B								
SER.NO									
SPEC.	VE2013A10								
IN VAC	480	IN PH	3	IN HZ	50/60				
OUT VAC	480	OUT PH	3	OUT HZ	0-500				
		S PWM KHZ	2.5			Q PWM KHZ	8		
C FLA IN	4.8	V FLA IN	7.6	C FLA IN	3.4	V FLA IN	4.8		
C HP OUT	3	V HP OUT	5	C HP OUT	2	V HP OUT	3		
C KW OUT	2.2	V KW OUT	3.7	C KW OUT	1.5	V KW OUT	2.2		
C FLA OUT	4.8	V FLA OUT	7.6	C FLA OUT	3.4	V FLA OUT	4.8		
C PKA OUT	8.4	V PKA OUT	9.5	C PKA OUT	6.8	V PKA OUT	6		
ENCL	1	IEC	IP20						
UL	LISTED	CUL	LISTED	CE	COMPLIANT	FCC	NO	IEEE	NO
	FOR 1Ø INPUT DERATE OUTPUT HP	PATENT	-						
	TO NEXT LOWER HP VALUE								

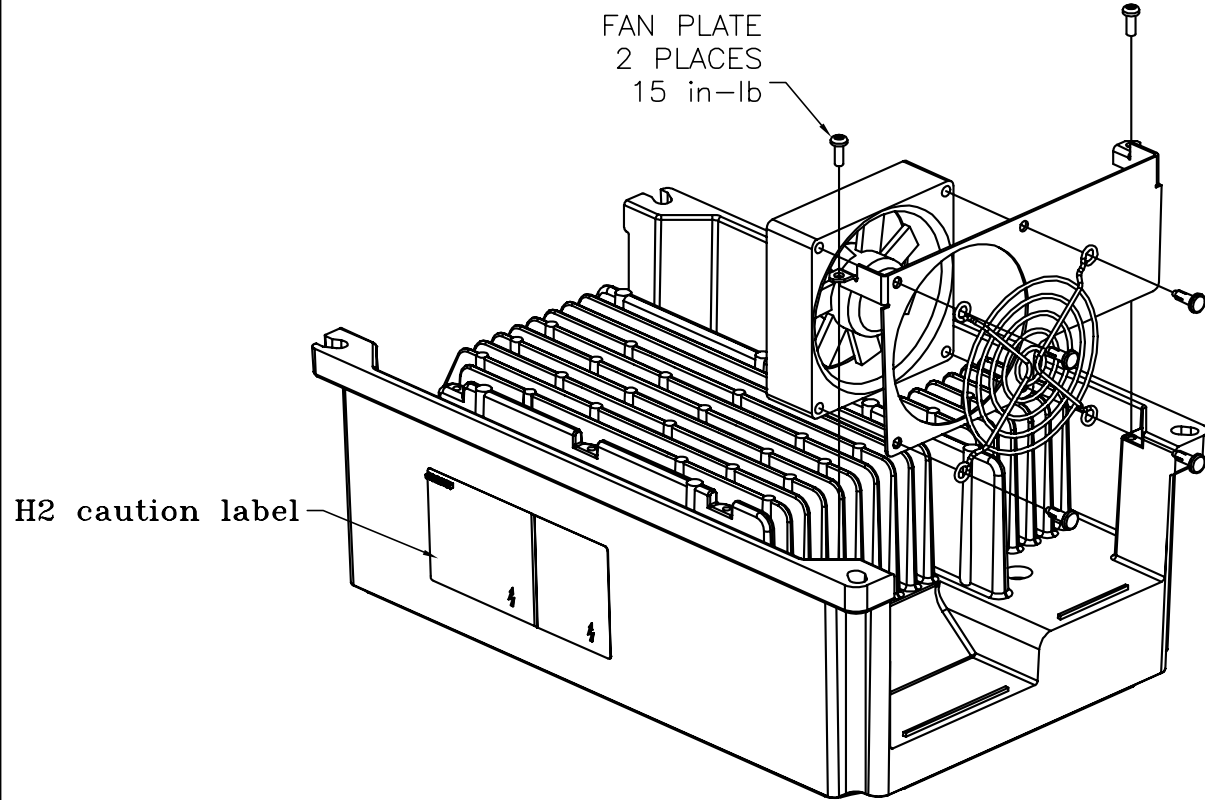
Parts List		
Part Number	Description	Quantity
11XW1032G06	10-32 X .38, TAPTITE II, HEX WSHR SLTD U	2.000 EA
15XD0619A04	PLASTITE 48-2, 6-19, PAN HEAD,1/4" LONG	2.000 EA
15XN0632A06	6-32X3/8 PH PAN HD MACHINE ZINC SC	3.000 EA
15XN0632A20	SCREW,6-32 X 1 1/4" P/HD SLT/ZN BMH1502	1.000 EA
15XW0632A06	#6-32 X 3/8,PAN HD PH,TRILOBE,ZINC,SELF	10.000 EA
15XW0632C20	#6-32 X 1-1/4 RD HD PHILLIPS SCREW,TAPTI	4.000 EA
26XN0632A06	6-32X3/8 PH PAN HD MACH. ZINC W/SQ. CONE	3.000 EA
26XN1032A08	10-32X1/2 PH PAN HD MACH.ZINC W/SQ. CONE	4.000 EA
84XN1032A10	#10-32 X 5/8" SOC.HD.CAP SCREW REPLACED	2.000 EA
EF0083A00	FAN, 80MM, 24 VDC, G-3, HIGH SPEED, NEMA	1.000 EA
BE0521A00	H2 CONTROLLER BASE	1.000 EA
BE0521A01	H2 CONTROLLER TOP	1.000 EA
BE0528A00	H2-AA COVER	1.000 EA
CC0236A06	CAP,ALE,1400UF,400VDC,-10+50%,85C,BRKT	2.000 EA
CS0011A01	CASTING FOR A-SIZE WASH DOWN DRIVE	1.000 EA
EB0489A00	H2 KEYPAD TO CONTROL BOARD ADAPTER BOARD	1.000 EA
EB0490A04SP	CONTROL BOARD,H2,CLOSED LOOP	1.000 EA
EB0493A00SP	ENCODER FEEDBACK BOARD,H2	1.000 EA
EB0495B02SP	POWER BOARD,H2AA,480V,3HP	1.000 EA
EH0004A55	SHUNT RESISTOR BRACKET FOR A-SIZE DRIVES	1.000 EA
EH0011A18	H2 AA CONTROL UNIT PLATE W/PEM WIRE TIE	1.000 EA
FH0009A01	FAN BRACKET, SINGLE, A-SIZE	1.000 EA
FH0010A00	FAN GUARD,WIRE,SINGLE,FOR 80MM SIZE FAN	1.000 EA
FM702WARR	H2 Warranty Registration 8/11	1.000 EA

Parts List (continued)		
Part Number	Description	Quantity
HE00029A-00	8-32X5/8 PH PAN HD MACH. STAINLESS STEEL	4.000 EA
HW0001A11	POP-ON SCREW COVER BASE FOR 6-32 SCREW	1.000 EA
HW0001A12	POP-ON SCREW COVER TOP FOR 6-32 SCREW, B	1.000 EA
HW2016A00	ALUMINUM 1/4 ROUNDSPACER.140ID,.812 LONG	4.000 EA
HW3001A01	D3019 BRASS WASHER(STIMP)	2.000 EA
HW7100A00	SNAP RIVET,PLASTIC,"MICRO TUFLOK",	4.000 EA
IM0040A00	THERMAL INTERFACE	1.000 EA
KP0029A04SP	VS KEYPAD BLACK,STD SOFTWARE	1.000 EA
LB0170A01	BOX LABEL, 6 X 6, BLANK,WHITE	1.000 EA
LB0093A00	WARNING HIGH VOLTAGE,H2,ENGLISH/SPANISH	1.000 EA
LB0187A01	VS H2 AA VECTOR COVER LABEL	1.000 EA
LB1272A01	LABEL 460V CAUTION ORANGE	0.002 BX
LD0096A00	H2 KEYPAD BUCKET TO CONTROL BOARD CABLE	1.000 EA
LD0097A00	H2 KEYPAD TO KEYPAD BUCKET CABLE	1.000 EA
MH0001A28	LEXAN INSULATOR,ENHANCED G3A CIRCUIT BRD	1.000 EA
MH4049A01	INSULATE SLEEVE NATURAL #6 BEN HAR ACRYL	0.375 FT
MN765	VS1GV Closed Vector 10/11	1.000 EA
MS765	VS1GV Wallchart 7/10	1.000 EA
MT00033A-00	CAP BRACKET G-3 A-SIZE TWO HOLE	1.000 EA
MZ0003A00	NOMEX, 2"X2", ADHESIVE BACKED	1.000 EA
NP1876	H2 NAMEPLATE FOR PM,SD,SP & GV DRIVES	1.000 EA
OR00007A-00	"O" RING 2.0"X0.104" 2-136 N674-70!E	2.000 EA
PA2000A01	H2-AA PACKAGING KIT	1.000 EA
RR0031A11	MOV ASM UL,460V 16"WIRES W/FLAG TERMINAL	1.000 EA

Parts List (continued)		
Part Number	Description	Quantity
RW480800-12	RES BRK,80R,-5+10%,400W,CT,FLY LD,CYL	1.000 EA
TB0115A00	FEMALE IDC CONNECTOR, 2 POSITION, 24 AWG	1.000 EA
TL2000A00	H2 TECHNICIANS BLADE SCREW DRIVER/YELLOW	1.000 EA
TP0021A01	H2 TEMP. SENSOR PROBE ASSY.	1.000 EA
WD4100A30	HEYCO #3833 RUBBER PLUG KOS-LT - 1/2	4.000 EA
LB0001A76	H2 CAUTION LABEL FOR EARTHING CONDUCTOR	1.000 EA

Accessories		
Part Number	Description	Multiplier
SW0115A26	ZHH-1.25	P1

AY2000A01



REV. DESC: NEW		
REV. LTR: G	VERSION 07	TDR: 000000458155
10V000ZLV AY2000A01	FILE: \MSA\00000\870	REVISED: 09: 44: 50 05/20/2008
	MTL: -	BY: ENJIMDO

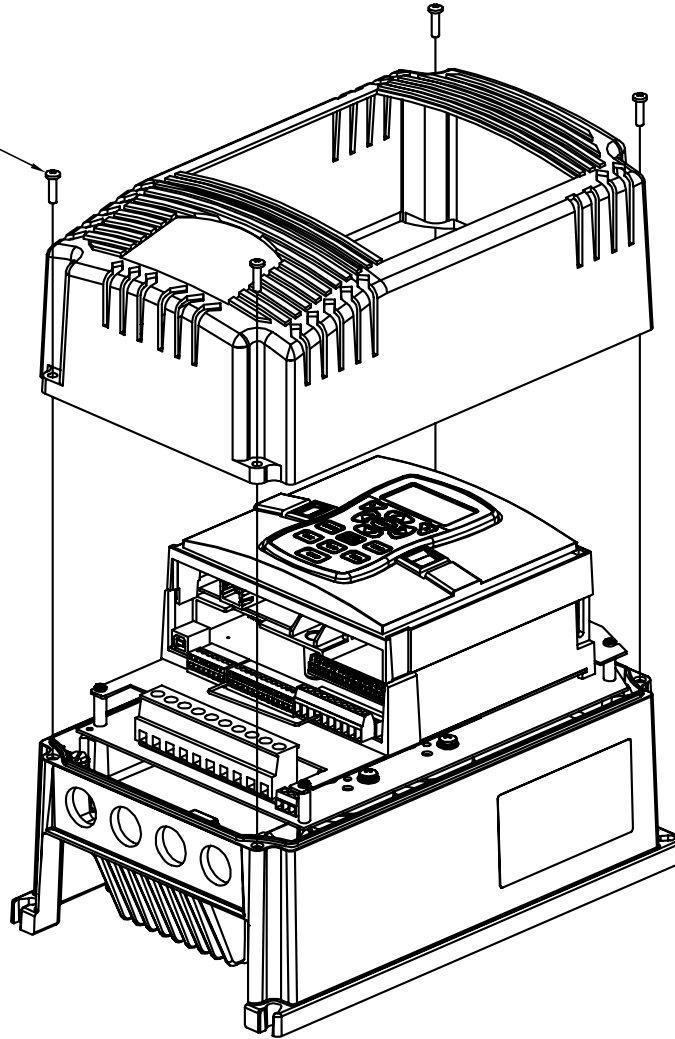
**BALDOR ELECTRIC Co.**

H2-AA ASSEMBLY AND TORQUE DRAWING

AY2000A01

AY2000A01

COVER  
4 PLACES  
15 in-lb



AY2000A01

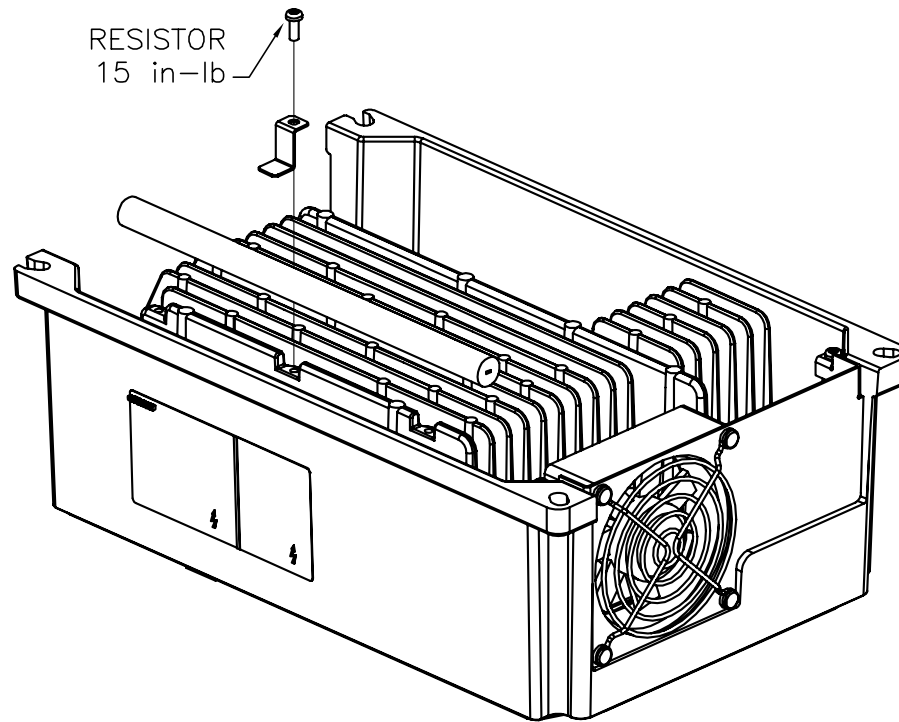
REV. DESC: NEW		
REV. LTR: G	VERSION 07	TDR: 000000458155
10V000ZLV	FILE: \MSA\00000\870	REVISED: 09: 44: 51 05/20/2008
	MTL: -	BY: ENJIMDO

**BALDOR ELECTRIC Co.**

H2-AA ASSEMBLY AND TORQUE DRAWING



AY2000A01



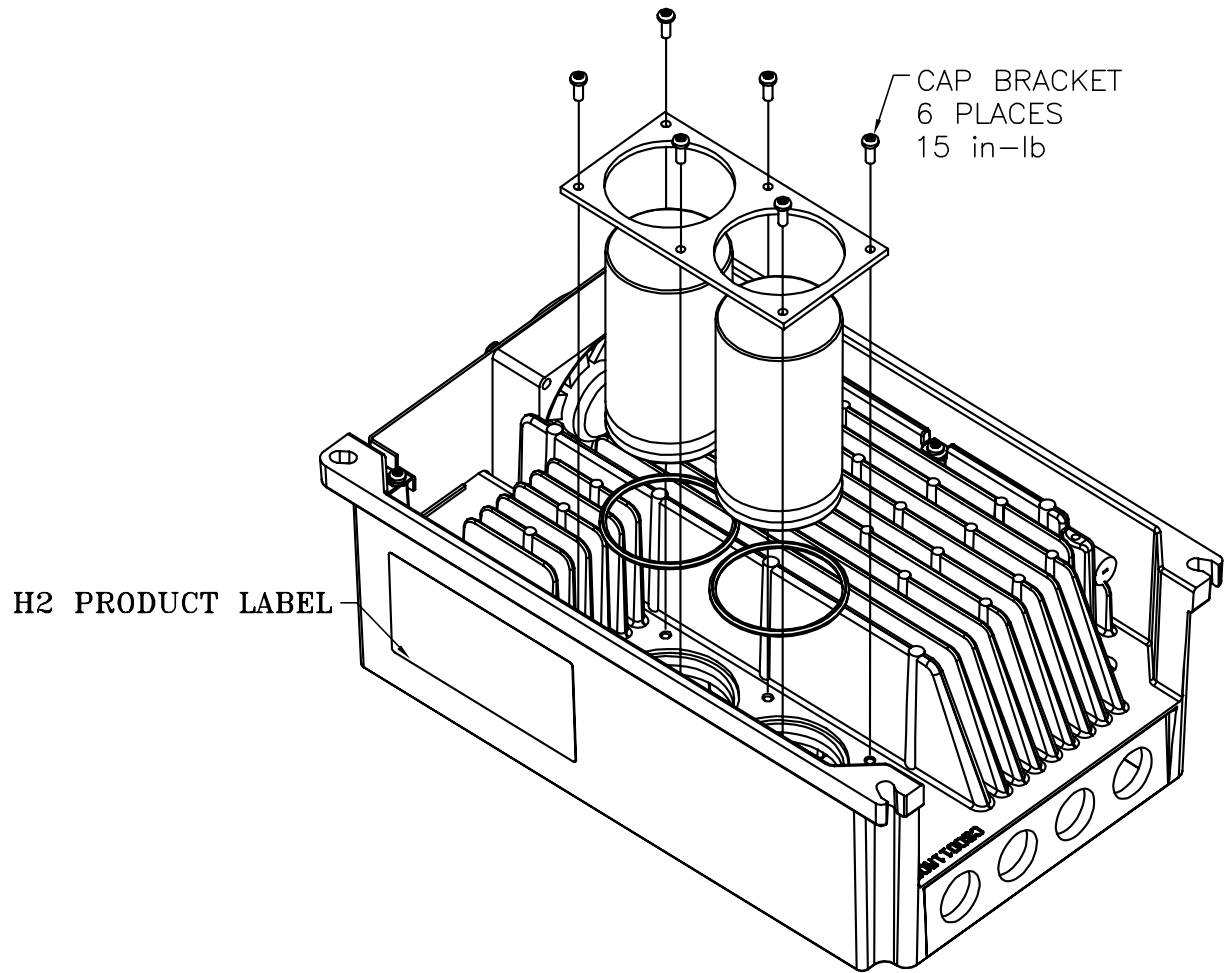
REV. DESC: NEW		
REV. LTR: G	VERSION 07	TDR: 000000458155
10V000ZLV AY2000A01	FILE: \MSA\00000\870	REVISED: 09: 44: 52 05/20/2008
	MTL: -	BY: ENJIMDO

**BALDOR ELECTRIC Co.**

H2-AA ASSEMBLY AND TORQUE DRAWING

AY2000A01

AY2000A01



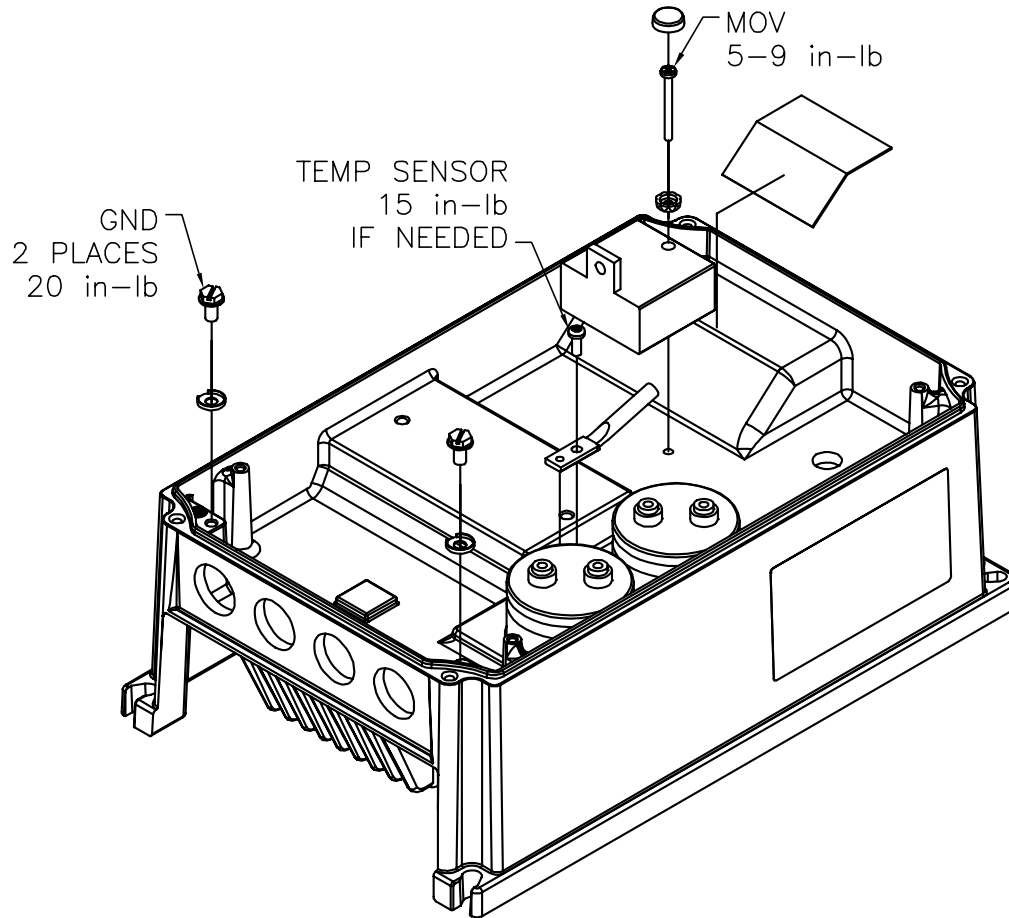
REV. DESC: NEW		
REV. LTR: G	VERSION 07	TDR: 000000458155
10V000ZLV	FILE: \MSA\00000\870	REVISED: 09: 44: 53 05/20/2008
	MTL: -	BY: ENJIMDO

**BALDOR ELECTRIC Co.**

H2-AA ASSEMBLY AND TORQUE DRAWING

AY2000A01

AY2000A01



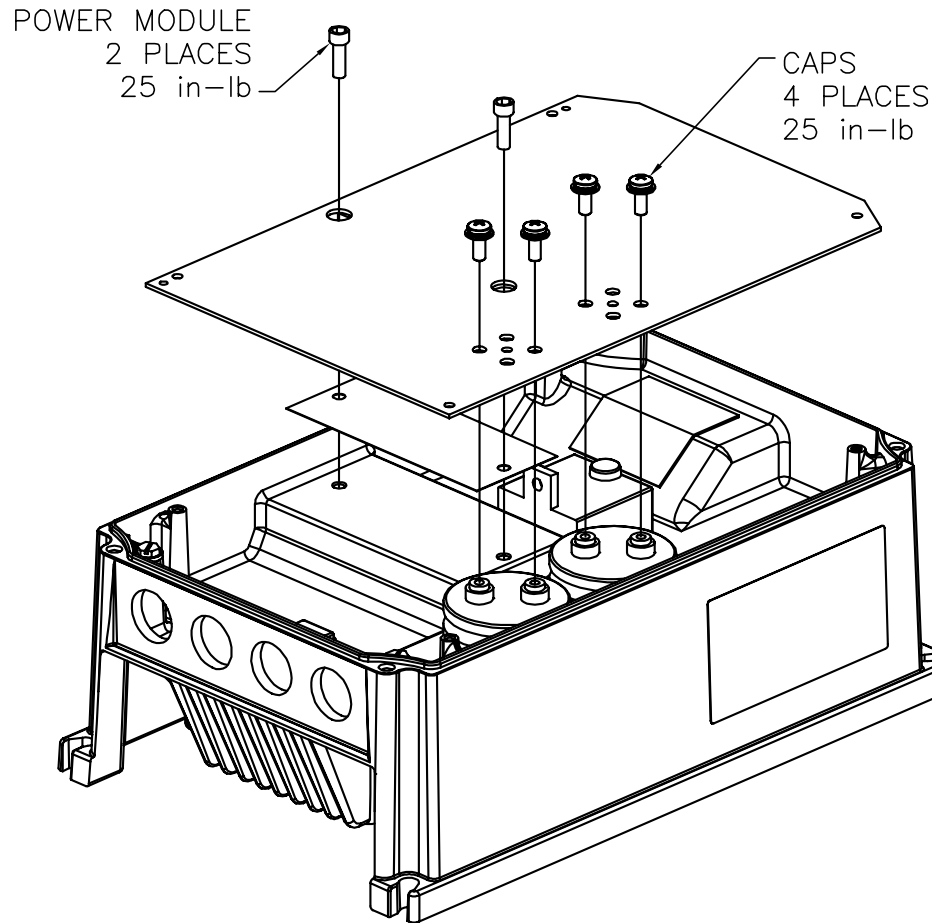
REV. DESC: NEW	VERSION 07	TDR: 000000458155
REV. LTR: G	FILE: \MSA\00000\870	REVISED: 09: 44: 54 05/20/2008
AY2000A01	MTL: -	BY: ENJIMDO

**BALDOR ELECTRIC Co.**

H2-AA ASSEMBLY AND TORQUE DRAWING

AY2000A01

AY2000A01



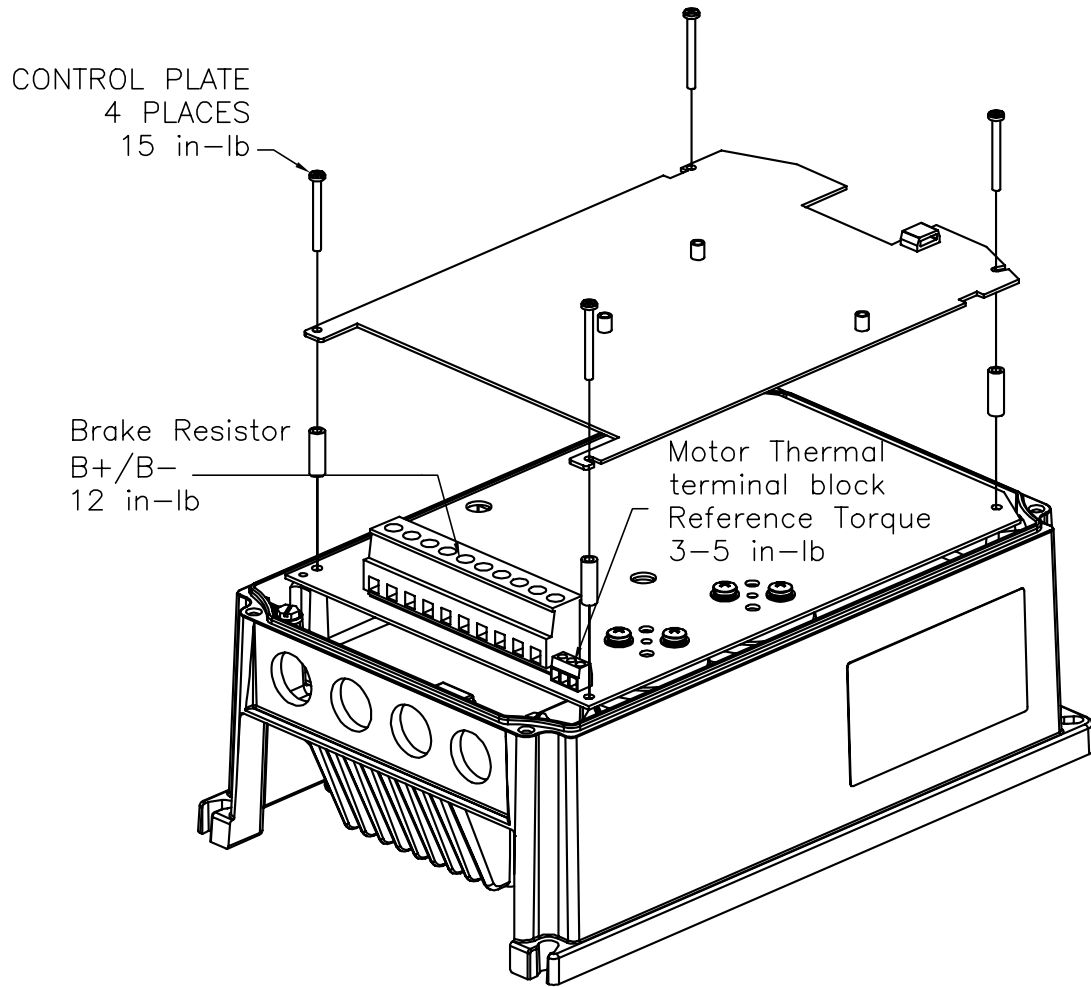
AY2000A01

REV. DESC: NEW		
REV. LTR: G	VERSION 07	TDR: 000000458155
AY2000A01	FILE: \MSA\00000\870	REVISED: 09: 44: 55 05/20/2008
	MTL: -	BY: ENJIMDO

**BALDOR ELECTRIC Co.**

H2-AA ASSEMBLY AND TORQUE DRAWING

AY2000A01



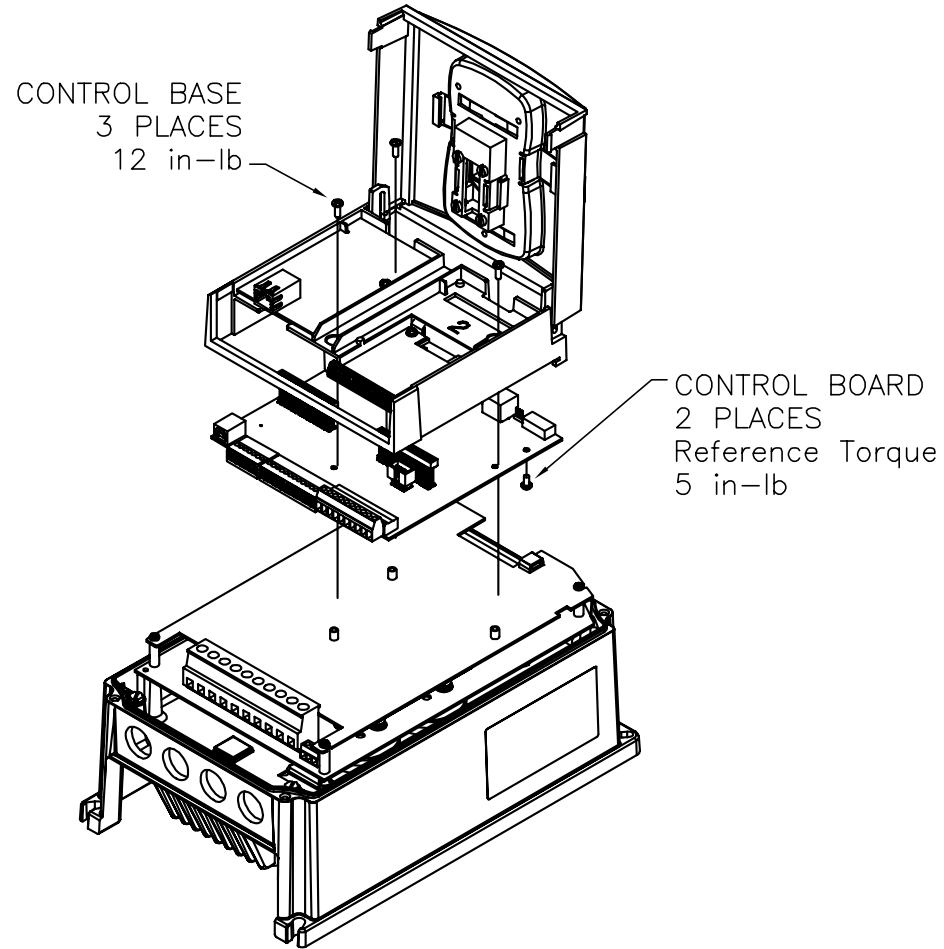
AY2000A01

REV. DESC: NEW		
REV. LTR: G	VERSION 07	TDR: 000000458155
10V000ZLV	FILE: \MSA\00000\870	REVISED: 09: 44: 56 05/20/2008
	MTL: -	BY: ENJIMDO

**BALDOR ELECTRIC Co.**

H2-AA ASSEMBLY AND TORQUE DRAWING

AY2000A01



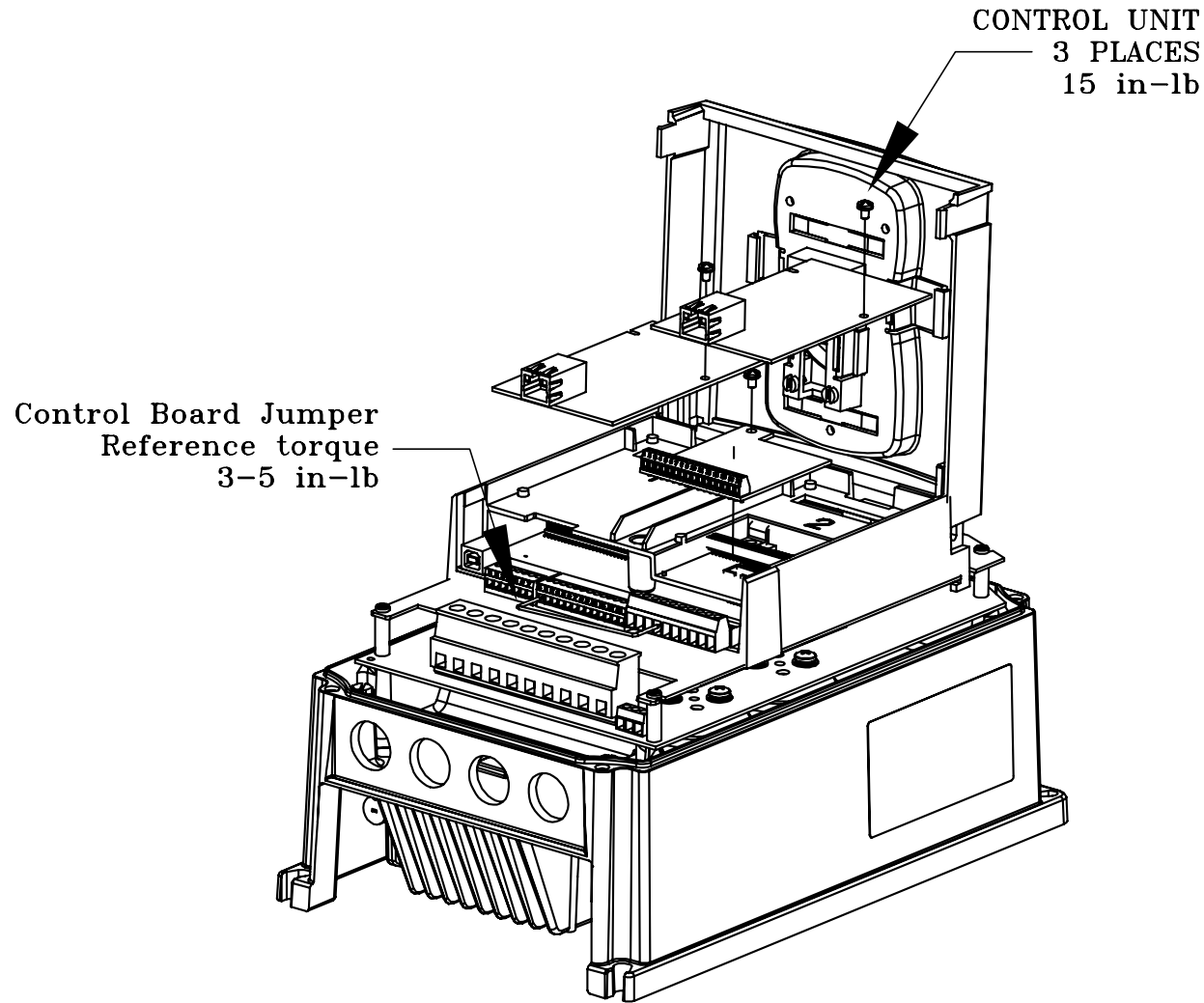
AY2000A01

REV. DESC: NEW		
REV. LTR: G	VERSION 07	TDR: 000000458155
10V000ZLV	FILE: \MSA\00000\870	REVISED: 09: 44: 57 05/20/2008
	MTL: -	BY: ENJIMDO

**BALDOR ELECTRIC Co.**

H2-AA ASSEMBLY AND TORQUE DRAWING

AY2000A01



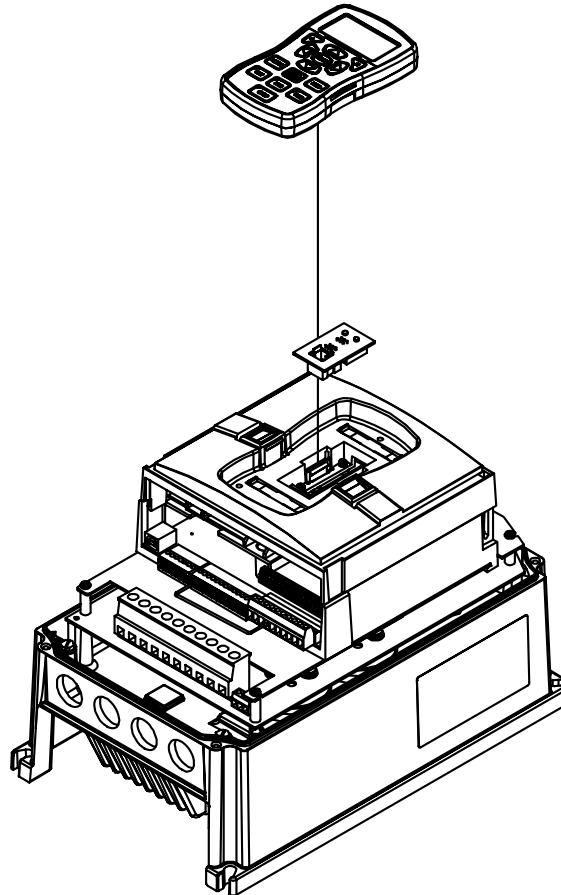
AY2000A01

REV. DESC: NEW		
REV. LTR: G	VERSION 07	TDR: 000000458155
10V000ZLV	FILE: \MSA\00000\870	REVISED: 09: 44: 58 05/20/2008
	MTL: -	BY: ENJIMDO

**BALDOR ELECTRIC Co.**

H2-AA ASSEMBLY AND TORQUE DRAWING

AY2000A01



AY2000A01

REV. DESC: NEW		
REV. LTR: G	VERSION 07	TDR: 000000458155
10V000ZLV	FILE: \MSA\00000\870	REVISED: 09: 44: 59 05/20/2008
	MTL: -	BY: ENJIMDO

**BALDOR ELECTRIC Co.**

H2-AA ASSEMBLY AND TORQUE DRAWING



