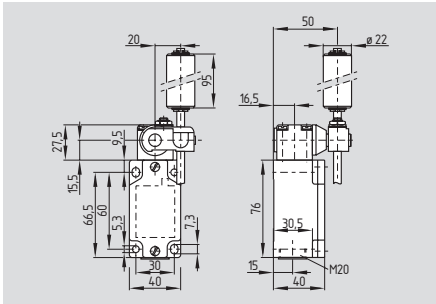


Belt alignment switches

M 330



- Metal enclosure
- 2 contacts
- Snap action with self-cleaning contacts
- Mounting details to EN 50041
- Adjustable-length rod lever with nylon roller
- LED version available
- 1 cable entry M20 x 1.5
- Protection class IP 65
- For light to medium duty
- Patented low-wear actuator head

Technical data

Standards: IEC/EN 60947-5-1

Enclosure and cover material: light alloy die-casting, chromated and painted

Protection class: IP 65 to EN 60529

Contact material: silver

Contact type: change-over contact, double break with 2 separate contact bridges, same potential

Switching system: snap action, self-cleaning contacts

Termination: screw terminals M 3.5

Cable section: max. 2.5 mm² (incl. conductor ferrules)

U_{imp} : 4 kV

U_i : 250 V

I_{the} : 6 A

I_e/U_e : 2.5 A / 230 VAC

Utilisation category: AC-15

Max. fuse rating: 6 A gL/gG D-fuse

Contact opening: max. 2 x 0.5 mm

Switchover time: ≤ 10 ms (with actuating speed 10 mm/min on plunger)

Bounce duration: ≤ 1.5 ms

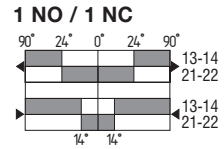
Ambient temperature: - 30 °C ... + 90 °C

Mechanical life: > 30 million operations

Switching frequency: max. 3000/h

Repeat accuracy of switching points: ± 0.02 mm on plunger

Contact variants



Approvals

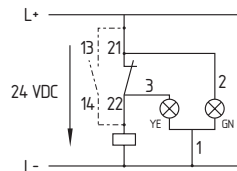


Ordering details

MV10H 330-11y-1348-①

No.	Replace	Description
①	G24	Without LED With LED

Note



LED version:

Ordering suffix G24, protected against incorrect polarity and voltage spikes.

- Supply voltage indication: Green (GN)
- Switching position indication: Yellow (YE)