



Breakers and switches

Enclosed switches  
Heavy duty safety switches  
Fusible and non-fusible  
30...1200 Amperes



# Heavy duty fusible and non-fusible safety switches 30...1200 Amperes

## Features, product overview

Features	4
Enclosed heavy duty fusible 3-pole safety switches	6
Enclosed heavy duty non-fusible 3-pole safety switches	8
Product overview	10

## Technical data

Enclosed heavy duty fusible safety switches	12
Enclosed heavy duty non-fusible safety switches	14

## Catalog numbering system

Safety switches	16
-----------------	----

## Ordering information

Heavy duty fusible safety switches	
NEMA 1, 12, 3R, 4X	17
Heavy duty non-fusible safety switches	
NEMA 1, 12, 3R, 4X	20

## Accessories

Selection overview	23
--------------------	----

## Ordering information, field-installable accessories

Neutral assembly, auxiliary contact blocks	24
Hubs, rejection members, fuse adapter kits	25
Fuse bases, line side lug assembly, load side lug assembly	26

## Replacement parts

Selection overview	27
--------------------	----

## Ordering information, replacement parts

Switch-disconnects, handle kit, door interlock mechanism	28
Door assembly	29

## Dimension drawings

Heavy duty fusible safety switches, NEMA 1, 12, 3R, 4X	31
Fusible safety switches, cable outlets / knockouts	34
Heavy duty non-fusible safety switches, , NEMA 1, 12, 3R, 4X	35
Non-fusible safety switches, cable outlets / knockouts	38

# New range of heavy duty safety switches

## Safe, modern, high performance range



The next generation of heavy duty safety switches offer a complete range of fusible and non-fusible solutions from 30 to 1200 Amperes. Our new range meets all relevant standards UL98, UL50, UL50E, NEMA KS-1 and CSA.

### Designed for heavy duty applications

ABB's safety switches are designed for applications requiring heavy duty performance and are suitable for use as service equipment where applicable. Our products are well suited for the food & beverage industry, HVAC, water/wastewater treatment facilities, commercial buildings and much more.

### Choose safety and high performance – choose ABB

Our next generation engineered heavy duty safety switches are designed to live up to our customers needs.

### High performance

200 kA short-circuit withstand capability across the whole range makes EOH and EOHU suitable for the most demanding applications.

### Increased safety

Visible double break contacts through windows in the modern touch safe switch insert.

### Easy installation

Spacious interior and rounded edges make wiring safe, easy and fast. Gasket included in all NEMA classes.

### Savings in maintenance

The modular switch insert and related components can easily be replaced creating savings in both downtime and money.

### Complete range of fusible and non-fusible HD safety switches from 30 to 1200 Amperes

The robust enclosures are made in steel, stainless steel or acid proof steel sheet covering all NEMA classes up to 4X.

The next generation of heavy duty safety switches offer a complete range of fusible and non-fusible solutions from 30 to 1200 Amperes. Our new range meets all relevant standards UL98, UL50, UL50E, NEMA KS-1 and CSA.



# Enclosed heavy duty fusible 3-pole safety switches

## From 30 to 1200 Amperes



<b>NEMA 1, Steel sheet enclosed, Catalog numbers</b>			<b>EOH361K</b>	<b>EOH362K</b>	<b>EOH363K</b>
<b>General purpose current rating</b>			<b>[A]</b>	<b>30</b>	<b>60</b>
Max. horse power rating (Three phase), when time delay fuses are used	240 V	[HP]	7.5	15	30
	480 V	[HP]	15	30	60
	600 V	[HP]	20	50	75



<b>NEMA 12, Steel sheet enclosed, Catalog numbers</b>			<b>EOH361JK</b>	<b>EOH362JK</b>	<b>EOH363JK</b>
<b>NEMA 3R, Steel sheet enclosed, Catalog numbers</b>			<b>EOH361RK</b>	<b>EOH362RK</b>	<b>EOH363RK</b>
<b>General purpose current rating</b>			<b>[A]</b>	<b>30</b>	<b>60</b>
Max. horse power rating (Three phase), when time delay fuses are used	240 V	[HP]	7.5	15	30
	480 V	[HP]	15	30	60
	600 V	[HP]	20	50	75



<b>NEMA 4X, Stainless steel sheet enclosed, Grade 304, Catalog numbers</b>			<b>EOH361S</b>	<b>EOH362S</b>	<b>EOH363S</b>
<b>NEMA 4X, Stainless steel sheet enclosed, Grade 316, Catalog numbers*</b>			<b>EOH361SS</b>	<b>EOH362SS</b>	<b>EOH362SS</b>
<b>General purpose current rating</b>			<b>[A]</b>	<b>30</b>	<b>60</b>
Max. horse power rating (Three phase), when time delay fuses are used	240 V	[HP]	7.5	15	30
	480 V	[HP]	15	30	60
	600 V	[HP]	20	50	75

\* Available as special order. Contact your local ABB representative for delivery times.



**EOH364K**

**EOH365K**

**EOH366K**

**EOH367**

**EOH368**

**200**

**400**

**600**

**800**

**1200**

60

125

200

250

250

125

250

400

500

500

150

350

500

500

500



**EOH364JK**

**EOH365JK**

**EOH366JK**

**EOH367J**

**EOH368J**

**EOH364RK**

**EOH365RK**

**EOH366RK**

**EOH367R**

**EOH368R**

**200**

**400**

**600**

**800**

**1200**

60

125

200

250

250

125

250

400

500

500

150

350

500

500

500



**EOH364S**

**EOH365S**

**EOH366S**

**EOH367S**

**EOH368S**

**EOH364SS**

**EOH365SS**

**EOH366SS**

**EOH367SS**

**EOH368SS**

**200**

**400**

**600**

**800**

**1200**

60

125

200

250

250

125

250

400

500

500

150

350

500

500

500

# Enclosed heavy duty non-fusible 3-pole safety switches

## From 30 to 1200 Amperes



<b>NEMA 1, Steel sheet enclosed, Catalog numbers</b>			<b>EOHU361K</b>	<b>EOHU362K</b>	<b>EOHU363K</b>
<b>General purpose current rating</b>		<b>[A]</b>	<b>30</b>	<b>60</b>	<b>100</b>
Max. horse power rating (Three phase), when time delay fuses are used	240 V	[HP]	10	20	40
	480 V	[HP]	20	50	75
	600 V	[HP]	30	60	100



<b>NEMA 12, Steel sheet enclosed, Catalog numbers</b>			<b>EOHU361JK</b>	<b>EOHU362JK</b>	<b>EOHU363JK</b>
<b>NEMA 3R, Steel sheet enclosed, Catalog numbers</b>			<b>EOHU361RK</b>	<b>EOHU362RK</b>	<b>EOHU363RK</b>
<b>General purpose current rating</b>		<b>[A]</b>	<b>30</b>	<b>60</b>	<b>100</b>
Max. horse power rating (Three phase), when time delay fuses are used	240 V	[HP]	10	20	40
	480 V	[HP]	20	50	75
	600 V	[HP]	30	60	100



<b>NEMA 4X, Stainless steel sheet enclosed, Grade 304, Catalog numbers</b>			<b>EOHU361S</b>	<b>EOHU362S</b>	<b>EOHU363S</b>
<b>NEMA 4X, Stainless steel sheet enclosed, Grade 316, Catalog numbers*</b>			<b>EOHU361SS</b>	<b>EOHU362SS</b>	<b>EOHU363SS</b>
<b>General purpose current rating</b>		<b>[A]</b>	<b>30</b>	<b>60</b>	<b>100</b>
Max. horse power rating (Three phase), when time delay fuses are used	240 V	[HP]	10	20	40
	480 V	[HP]	20	50	75
	600 V	[HP]	30	60	100

\* Available as special order. Contact your local ABB representative for delivery times.





**EOHU364K**

**EOHU365K**

**EOHU366K**

**EOHU367**

**EOHU368**

**200**

**400**

**600**

**800**

**1200**

60

125

200

250

250

125

250

400

500

500

150

350

500

500

500



**EOHU364JK**

**EOHU365JK**

**EOHU366JK**

**EOHU367J**

**EOHU368J**

**EOHU364RK**

**EOHU365RK**

**EOHU366RK**

**EOHU367R**

**EOHU368R**

**200**

**400**

**600**

**800**

**1200**

60

125

200

250

250

125

250

400

500

500

150

350

500

500

500



**EOHU364S**

**EOHU365S**

**EOHU366S**

**EOHU367S**

**EOHU368S**

**EOHU364SS**

**EOHU365SS**

**EOHU366SS**

**EOHU367SS**

**EOHU368SS**

**200**

**400**

**600**

**800**

**1200**

60

125

200

250

250

125

250

400

500

500

150

350

500

500

500

# Product overview

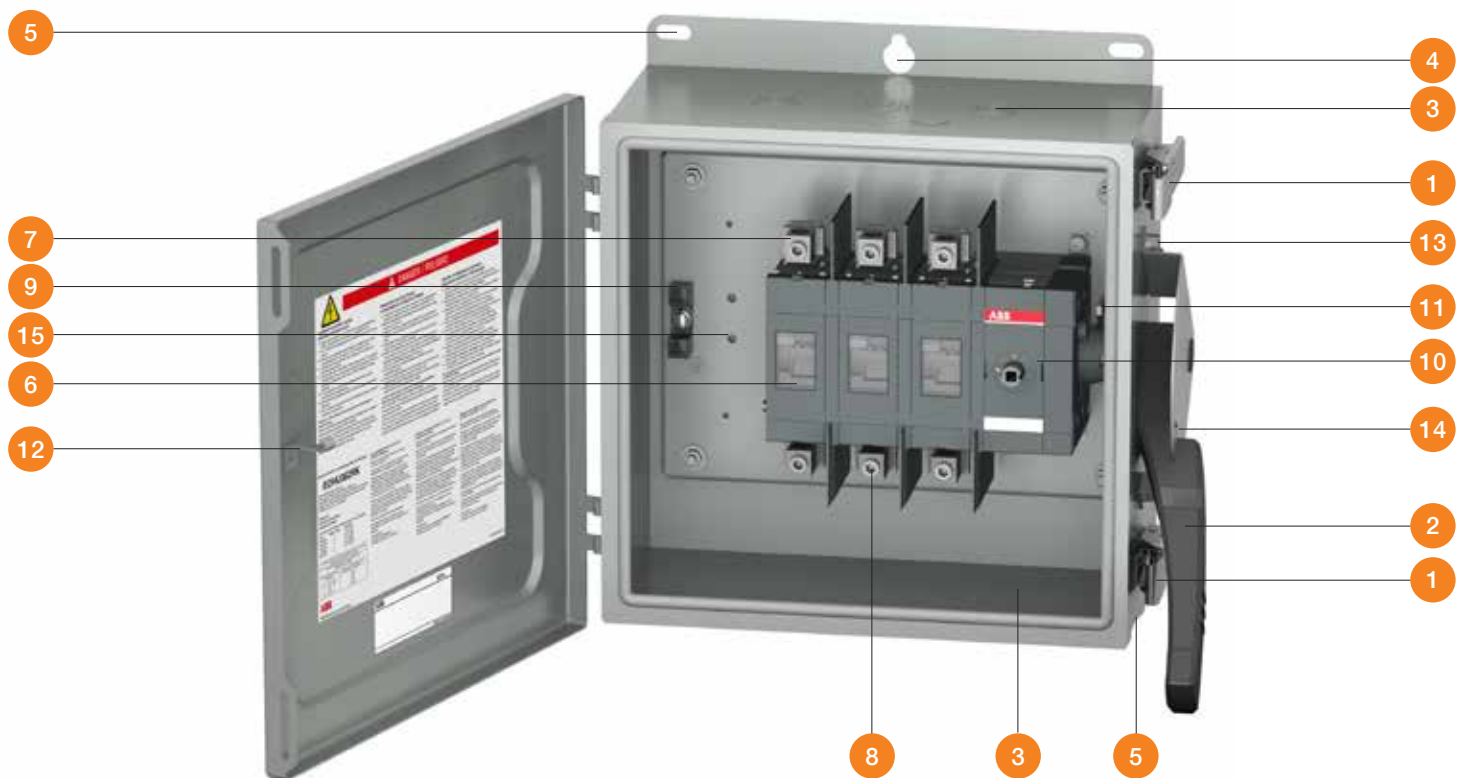
## Enclosed heavy duty fusible 3-pole safety switches



1. Door latches, provision for padlocking
2. Handle
3. Knockouts
4. Keyslot mounting hole
5. Mounting holes (4 pcs)
6. 3-pole switch, double breaking contacts with viewing windows
7. Line side (switch terminals) terminal lugs
8. Fuse base
9. Load side (fuse base terminals) terminal lugs
10. Ground bus (2 lugs)
11. Operating mechanism, inside place for auxiliary contacts (optional)
12. Door interlock mechanism
13. Locking hook for door interlock mechanism
14. Door interlock bypass shaft  
(Only qualified personnel should perform this procedure)
15. Hole for padlocking the handle (3 padlocks)
16. Place for neutral assembly (optional)

## Product overview

# Enclosed heavy duty non-fusible 3-pole safety switches



1. Door latches, provision for padlocking
2. Handle
3. Knockouts
4. Keyslot mounting hole
5. Mounting holes (4 pcs)
6. 3-pole switch, double breaking contacts with viewing windows
7. Line side terminal lugs
8. Load side terminal lugs

9. Ground bus (2 lugs)
10. Operating mechanism, inside place for auxiliary contacts (optional)
11. Door interlock mechanism
12. Locking hook for door interlock mechanism
13. Door interlock bypass shaft  
(Only qualified personnel should perform this procedure)
14. Hole for padlocking the handle (3 padlocks)
15. Place for neutral assembly (optional)

# Technical data

## Enclosed heavy duty fusible safety switches

			Catalog number		
Technical data according to UL98, UL50, UL4248-1, NEMA KS1 and CSA standards			A	EOH_61 30	EOH_62 60
General purpose current rating			A	30	60
Max. horse power rating	Single phase	240 V	HP	3	10
		480 V	HP	7.5	20
		600 V	HP	10	25
Max. horse power rating	Three phase	240 V	HP	7.5	15
		480 V	HP	15	30
		600 V	HP	20	50
Standard horse power rating	Single phase	240 V	HP	1.5	3
		480 V	HP	3	5
		600 V	HP	3	10
Standard horse power rating	Three phase	240 V	HP	3	7.5
		480 V	HP	5	15
		600 V	HP	7.5	15
Max. motor FLA current	Single phase	240 V	A	17	50
		480 V	A	21	44
		600 V	A	20	44
Max. motor FLA current	Three phase	240 V	A	22	42
		480 V	A	21	40
		600 V	A	22	52
Short circuit rating	Class R fuses	480 V	kA	200	200
	Class J fuses	480 V	kA	200	200
	Class T fuses	480 V	kA	200	200
	Class L fuses	480 V	kA		
Short circuit rating	Class R fuses	600 V	kA	200	200
	Class J fuses	600 V	kA	200	200
	Class T fuses	600 V	kA	200	200
	Class L fuses	600 V	kA		
Maximum fuse size			A	30	60
Standard fuse clips				R	R
Fuse conversion kits				J	J, T
Electrical endurance	Power factor	0.75..0.8	op. cycles	8 000	8 000
Mechanical endurance			operations	15000	15000
<b>Cabling</b>					
Terminal lug	Line terminals			OZXA100	OZXA100
Torque: wire tightening	Line terminals	For Cu and Al cables	lbs.in.	35 (#14 - 10)	45 (#6 - 4)
Torque: wire tightening	Line terminals	For Cu and Al cables	lbs.in.	40 (#8), 45 (#6)	50 (#2)
Lug mounting torque	Line terminals		lbs.in.	132	132
Wire range	Line terminals			#14 - 6	#14 - 2
Terminal lug	Load terminals			OZXA100	OZXA100
Torque: wire tightening	Load terminals	For Cu and Al cables	lbs.in.	35 (#14 - 10)	45 (#6 - 4)
Torque: wire tightening	Load terminals	For Cu and Al cables	lbs.in.	40 (#8), 45 (#6)	50 (#2)
Lug mounting torque	Load terminals		lbs.in.	132	132
Wire range	Load terminals			#14 - 6	#14 - 2

<sup>1)</sup> 600V 200kA rating available. See page 16 for additional information.

EOH_63 100	EOH_64 200	EOH_65 400	EOH_66 600	EOH_67 800	EOH_68 1200
100	200	400	600	800	1200
15	15				
30	50				
40	50				
30	60	125	200	250	250
60	125	250	400	500	500
75	150	350	500	500	500
7.5	15				
10	25				
15	30				
15	25	50	75	100	100
25	50	100	150	200	200
30	60	125	200	250	250
68	68				
68	108				
70	86				
80	164	312	480	600	600
77	156	302	477	590	590
77	144	336	472	472	472
200	200	200	200		
200	200	200	200		
200	200	200	200	200	200
200	200	100 <sup>1)</sup>	200		
200	200	200	200		
200	200	200	200		
				200	200
100	200	400	600	800	1200
R	R	R	R	L	L
J, T	J, T	J, T	J		
7 000	6 000	1500	1200	600	600
14000	12000	7500	6000	3500	2500
OZXA100	OZXA400	OZXA800	OZXA800	OZXA1200	OZXA1200E
50 (#3 - 2/0)	375	500	500	500	620
50 (#3 - 2/0)	375	500	500	500	620
132	228	480	480	Screw UNC 1/2 & nut	319
#14 - 2/0	#2 - 250 kcmil	(2) #2 - 500 kcmil	(2) #2 - 600 kcmil	(4) #2 - 500 kcmil	(6) #2 - 500 kcmil
OZXA100	OZXA400	OZXA800E	OZXA800	OZXA1200	OZXA1200
50 (#3 - 2/0)	375	500	500	500	500
50 (#3 - 2/0)	375	500	500	500	500
132	72	480	480	Screw UNC 1/2 & nut	Screw UNC 1/2 & nut
#14 - 2/0	#2 - 250 kcmil	(2) #2 - 500 kcmil	(2) #2 - 600 kcmil	(4) #2 - 500 kcmil	(4) #2 - 500 kcmil

# Technical data

## Enclosed heavy duty non-fusible safety switches

				Catalog number	
				EOHU_61 30	EOHU_62 60
<b>Technical data according to UL98, UL50, NEMA KS1 and CSA standards</b>				<b>A</b>	
General purpose current rating			A	30	60
Max. horse power rating	Single phase	240 V	HP	5	10
		480 V	HP	10	25
		600 V	HP	20	30
Max. horse power rating	Three phase	240 V	HP	10	20
		480 V	HP	20	50
		600 V	HP	30	60
Max. motor FLA current	Single phase	240 V	A	28	50
		480 V	A	26	55
		600 V	A	25	54
Max. motor FLA current	Three phase	240 V	A	28	54
		480 V	A	27	65
		600 V	A	32	62
Short circuit rating	Class R fuses	480 V	kA	200	200
	Class J fuses	480 V	kA	200	200
	Class T fuses	480 V	kA	200	200
	Class L fuses	480 V	kA	200	200
Short circuit rating	Class R fuses	600 V	kA	200	200
	Class J fuses	600 V	kA	200	200
	Class T fuses	600 V	kA	200	200
	Class L fuses	600 V	kA	200	200
Min. electrical endurance	Power factor	0.75..0.8	op. cycles	8 000	8 000
Mechanical endurance			operations	20 000	20 000
<b>Cabling</b>					
Terminal lug	Line terminals			OZXA100	OZXA100
Torque: wire tightening	Line terminals	For Cu and Al cables	lbs.in.	35 (#10 - 14)	45 (#6 - 4)
Torque: wire tightening	Line terminals	For Cu and Al cables	lbs.in.	40 (#8)	45 (#6 - 4), 50 (#3)
Lug mounting torque	Line terminals		lbs.in.	132	132
Wire range	Line terminals			#14 - 2/0	#14 - 2/0
Terminal lug	Load terminals			OZXA100	OZXA100
Torque: wire tightening	Load terminals	For Cu and Al cables	lbs.in.	35 (#10 - 14)	45 (#6 - 4)
Torque: wire tightening	Load terminals	For Cu and Al cables	lbs.in.	40 (#8)	45 (#6 - 4), 50 (#3)
Lug mounting torque	Load terminals		lbs.in.	132	132
Wire range	Load terminals			#14 - 8	#14 - 3

<sup>1)</sup> 600V 200kA rating available. See page 16 for additional information.

EOHU_63 100	EOHU_64 200	EOHU_65 400	EOHU_66 600	EOHU_67 800	EOHU_68 1200
100	200	400	600	800	1200
20	40				
40	50				
50	50				
40	60	125	200	250	250
75	125	250	400	500	500
100	150	350	500	500	500
88	176				
88	108				
86	86				
104	192	360	480	600	600
96	156	302	477	590	590
99	144	336	472	472	472
200	200	200	200		
200	200	200	200		
200	200	200	200	200	200
200	200	100 <sup>1)</sup>	200		
200	200	200	200		
200	200	200	200	200	200
7 000	6 000	6 000	1200	600	600
20 000	20 000	16 000	10 000	6 000	6 000

OZXA100	OZXA400	OZXA800	OZXA800	OZXA1200	OZXA1200E
50 (#3-1)	375	500	500	500	620
50 (#3-1)	375	500	500	500	620
132	228	480	480	Screw UNC 1/2 & nut	319
#14 - 1	#2 - 250 kcmil	(2) #2 - 500 kcmil	(2) #2 - 600 kcmil	(4) #2 - 500 kcmil	(6) #2 - 500 kcmil
OZXA100	OZXA400	OZXA800	OZXA800	OZXA1200	OZXA1200E
50 (#3-1)	375	500	500	500	620
50 (#3-1)	375	500	500	500	620
132	228	480	480	Screw UNC 1/2 & nut	319
#14 - 1	#2 - 250 kcmil	(2) #2 - 500 kcmil	(2) #2 - 600 kcmil	(4) #2 - 500 kcmil	(6) #2 - 500 kcmil

# Catalog numbering system

## Safety switches

### Explanation of the catalog number

EO	H	U	3	6	1	N	R	W	K	R6	- 0
1	2	3	4	5	6	7	8	9	10	11	12

<b>1</b>	<b>Brand</b>
EO:	ABB brand
<b>2</b>	<b>Duty</b>
H:	Heavy duty
<b>3</b>	<b>Fusible or non-fusible</b>
Blank:	Fusible
U:	Non-fusible
<b>4</b>	<b>Number of poles</b>
3:	Three poles
<b>5</b>	<b>Maximum voltage</b>
6:	600V
<b>6</b>	<b>Ampere rating</b>
1:	30A
2:	60A
3:	100A
4:	200A
5:	400A
6:	600A
7:	800A
8:	1200A
<b>7</b>	<b>Neutral</b>
Blank:	No neutral
N:	Neutral included
<b>8</b>	<b>Enclosure NEMA type</b>
Blank:	TYPE 1: Indoor, painted steel
J:	TYPE 12: Indoor, painted steel
R:	TYPE 3R: Indoor/outdoor, painted steel
S:	TYPE 4X: Indoor/outdoor, stainless steel grade 304
SS:	TYPE 4X: Indoor/outdoor, stainless steel grade 316
<b>9</b>	<b>Special constructions and applications</b>
W:	Viewing window
<b>10</b>	<b>Cable entries</b>
Blank:	Without knockouts
K:	With concentric knockouts
<b>11</b>	<b>Special ratings</b>
Blank:	Standard ratings
R6:	600V/200kA with RK-fuses (400A switch only)*

<b>12</b>	<b>Auxiliary contacts</b>
Blank	No auxiliary contacts
without	
dash:	
- 0:	One normally closed 1nc
- 1:	One normally open 1no

\* Available as special order. Contact your local ABB representative for delivery times and additional differences from standard rated product.



# Ordering information

## Steel sheet enclosed heavy duty fusible safety switches



EOH361K



EOH362K



EOH363K



EOH364K



EOH365K



EOH366K



EOH367



EOH368

### Side operated fusible safety switch, black handle, NEMA 1

Ground bus included. Cabling accessories, fuses and auxiliary contacts are to be ordered separately. Colour: ANSI 61 (light grey). Standards: UL98, UL50, UL4248-1, NEMA KS1, CSA. Units/catalog number = 1 piece. Note: 30A – 600A fusible switches are supplied as standard with fuse clips spaced to accept class R fuses. To prevent installation of any other fuse classes, rejection pins/members are available as optional accessories. To convert for class J or class T fuses, move the load side fuse bases/clips to the alternate holes indicated inside the enclosure. Note that 600A class J and all class T fuses also require an accessory adapter kit. See page 25 for all noted accessories.

General purpose current rating [A]	Max. Horse power rating [HP]			Standard fuse link	Auxiliary contacts max.	Cable outlets, top and bottom	Catalog number	Weight/unit [kg]
	240 V	480 V	600 V					
<b>NEMA 1, indoor, modest amounts of falling dirt</b>								
30	7,5	15	20	R	2no+2nc	Knockouts	EOH361K	10
60	15	30	50	R	2no+2nc	Knockouts	EOH362K	10
100	30	60	75	R	2no+2nc	Knockouts	EOH363K	14
200	60	125	150	R	4no+4nc	Knockouts	EOH364K	24
400	125	250	350	R	4no+4nc	Knockouts	EOH365K	48
600	200	400	500	R	4no+4nc	Knockouts	EOH366K	61
800	250	500	500	L	2no+2nc	Blank	EOH367	59
1200	250	500	500	L	2no+2nc	Blank	EOH368	145

### Cable outlets, knock-outs

Catalog number	Cable entry/exit, knockouts / top and bottom [ø inch]	Cable entry/exit, knockouts / top and bottom [ø mm]
EOH361K	3×(ø1.12+ø0.76+ø0.5+ø0.32)+ø0.25	3×(ø28.2+ø19.1+ø12.7+ø8.0)+ø6.4
EOH362K	3×(ø1.4+ø1.12+ø0.76+ø0.5)+ø0.25+ø0.8	3×(ø35.2+ø28.2+ø19.1+ø12.7)+ø6.4+ø20.0
EOH363K	2×(ø1.4+ø1.12+ø0.76+ø0.5)+ 1×(ø2.03+ø1.4+ø1.125+ø0.89+ø0.64)+ø0.25+ø0.8	2×(ø35.2+ø28.2+ø19.1+ø12.7)+ 1×(ø50.8+ø35.2+ø28.2+ø22.4+ø16.0)+ø6.4+ø20.0
EOH364K	3×(ø2.5+ø2.03+ø1.4+ø1.125+ø0.89+ø0.64)+ø0.25+ø0.8	3×(ø62.5+ø50.8+ø35.2+ø28.2+ø22.4+ø16.0)+ø6.4+ø20.0
EOH365K	3×(ø3.68+ø3.06+ø2.5+ø2.03+ø1.77)+2×(ø0.76+ø0.5)	3×(ø92.0+ø76.5+ø62.5+ø50.8+ø44.4)+2×(ø19.1+ø12.7)
EOH366K	4×(ø3.68+ø3.06+ø2.5+ø2.03+ø1.77)+2×(ø0.76+ø0.5)	4×(ø92.0+ø76.5+ø62.5+ø50.8+ø44.4)+2×(ø19.1+ø12.7)
EOH367	Blank	Blank
EOH368	Blank	Blank

# Ordering information

## Steel sheet enclosed heavy duty fusible safety switches



EOH361JK/RK



EOH362JK/RK



EOH363JK/RK



EOH364JK/RK



EOH365JK/RK



EOH366JK/RK



EOH367J/R



EOH368J/R

### Side operated fusible safety switch, black handle, NEMA 12 and 3R

Ground bus included. Cabling accessories, fuses and auxiliary contacts are to be ordered separately. Colour: ANSI 61 (light grey). Standards: UL98, UL50, UL4248-1, NEMA KS1, CSA. Units/catalog number = 1 piece. Note: 30A – 600A fusible switches are supplied as standard with fuse clips spaced to accept class R fuses. To prevent installation of any other fuse classes, rejection pins/members are available as optional accessories. To convert for class J or class T fuses, move the load side fuse bases/clips to the alternate holes indicated inside the enclosure. Note that 600A class J and all class T fuses also require an accessory adapter kit. See page 25 for all noted accessories.

General purpose current rating [A]	Max. Horse power rating [HP] Three phase			Standard fuse link	Auxiliary contacts max.	Cable outlets, top and bottom	Catalog number	Weight/unit [kg]
	240 V	480 V	600 V					
<b>NEMA 12, indoor, dust-tight/watertight/driptight, circulating dust, falling dirt, dripping non-corrosive liquids</b>								
30	7,5	15	20	R	2no+2nc	Knockouts	EOH361JK	12
60	15	30	50	R	2no+2nc	Knockouts	EOH362JK	13
100	30	60	75	R	2no+2nc	Knockouts	EOH363JK	16
200	60	125	150	R	4no+4nc	Knockouts	EOH364JK	26
400	125	250	350	R	4no+4nc	Knockouts	EOH365JK	54
600	200	400	500	R	4no+4nc	Knockouts	EOH366JK	68
800	250	500	500	L	2no+2nc	Blank	EOH367J	67
1200	250	500	500	L	2no+2nc	Blank	EOH368J	145
<b>NEMA 3R, outdoor, weather-proof/rainproof, windblown rain, sleet, ice</b>								
30	7,5	15	20	R	2no+2nc	Knockouts	EOH361RK	12
60	15	30	50	R	2no+2nc	Knockouts	EOH362RK	13
100	30	60	75	R	2no+2nc	Knockouts	EOH363RK	16
200	60	125	150	R	4no+4nc	Knockouts	EOH364RK	26
400	125	250	350	R	4no+4nc	Knockouts	EOH365RK	54
600	200	400	500	R	4no+4nc	Knockouts	EOH366RK	68
800	250	500	500	L	2no+2nc	Blank	EOH367R	67
1200	250	500	500	L	2no+2nc	Blank	EOH368R	145

### Cable outlets, knock-outs

Catalog number	Cable entry/exit, knockouts / top and bottom [ø inch]	Cable entry/exit, knockouts / top and bottom [ø mm]
EOH361_K	3×(ø1.12+ø0.76+ø0.5+ø0.32)+ø0.25	3×(ø28.2+ø19.1+ø12.7+ø8.0)+ø6.4
EOH362_K	3×(ø1.4+ø1.12+ø0.76+ø0.5)+ø0.25+ø0.8	3×(ø35.2+ø28.2+ø19.1+ø12.7)+ø6.4+ø20.0
EOH363_K	2×(ø1.4+ø1.12+ø0.76+ø0.5)+ 1×(ø2.03+ø1.4+ø1.125+ø0.89+ø0.64)+ø0.25+ø0.8	2×(ø35.2+ø28.2+ø19.1+ø12.7)+ 1×(ø50.8+ø35.2+ø28.2+ø22.4+ø16.0)+ø6.4+ø20.0
EOH364_K	3×(ø2.5+ø2.03+ø1.4+ø1.125+ø0.89+ø0.64)+ø0.25+ø0.8	3×(ø62.5+ø50.8+ø35.2+ø28.2+ø22.4+ø16.0)+ø6.4+ø20.0
EOH365_K	3×(ø3.68+ø3.06+ø2.5+ø2.03+ø1.77)+2×(ø0.76+ø0.5)	3×(ø92.0+ø76.5+ø62.5+ø50.8+ø44.4)+2×(ø19.1+ø12.7)
EOH366_K	4×(ø3.68+ø3.06+ø2.5+ø2.03+ø1.77)+2×(ø0.76+ø0.5)	4×(ø92.0+ø76.5+ø62.5+ø50.8+ø44.4)+2×(ø19.1+ø12.7)
EOH367_	Blank	Blank
EOH368_	Blank	Blank

# Ordering information

## Stainless steel enclosed heavy duty fusible safety switches



EOH361S/SS



EOH362S/SS



EOH363S/SS



EOH364S/SS



EOH365S/SS



EOH366S/SS



EOH367S/SS



EOH368S/SS

### Side operated fusible safety switch, black handle, NEMA 4X, Grade 304

Ground bus included. Cabling accessories, fuses and auxiliary contacts are to be ordered separately. Colour: Grade 304 stainless steel sheet enclosure. Standards: UL98, UL50, UL4248-1, NEMA KS1, CSA. Cable outlets / top and bottom: Blank. Units/catalog number = 1 piece. Note: 30A – 600A fusible switches are supplied as standard with fuse clips spaced to accept class R fuses. To prevent installation of any other fuse classes, rejection pins/members are available as optional accessories. To convert for class J or class T fuses, move the load side fuse bases/clips to the alternate holes indicated inside the enclosure. Note that 600A class J and all class T fuses also require an accessory adapter kit. See page 25 for all noted accessories.

General purpose current rating [A]	Max. Horse power rating [HP] Three phase			Standard fuse link	Auxiliary contacts max.	Cable outlets, top and bottom	Catalog number	Weight/unit [kg]
	240 V	480 V	600 V					
<b>NEMA 4X, outdoor, watertight/raintight, splashing and hose-directed water, windblown dust, ice, corrosion resistance</b>								
30	7,5	15	20	R	2no+2nc	Blank	EOH361S	12
60	15	30	50	R	2no+2nc	Blank	EOH362S	13
100	30	60	75	R	2no+2nc	Blank	EOH363S	16
200	60	125	150	R	4no+4nc	Blank	EOH364S	26
400	125	250	350	R	4no+4nc	Blank	EOH365S	54
600	200	400	500	R	4no+4nc	Blank	EOH366S	68
800	250	500	500	L	2no+2nc	Blank	EOH367S	67
1200	250	500	500	L	2no+2nc	Blank	EOH368S	145

### Side operated fusible safety switch, black handle, NEMA 4X, Grade 316\*

Ground bus included. Cabling accessories, fuses and auxiliary contacts are to be ordered separately. Colour: Grade 316 stainless steel sheet enclosure. Standards: UL98, UL50, UL4248-1, NEMA KS1, CSA. Cable outlets / top and bottom: Blank. Units/catalog number = 1 piece. Note: 30A – 600A fusible switches are supplied as standard with fuse clips spaced to accept class R fuses. To prevent installation of any other fuse classes, rejection pins/members are available as optional accessories. To convert for class J or class T fuses, move the load side fuse bases/clips to the alternate holes indicated inside the enclosure. Note that 600A class J and all class T fuses also require an accessory adapter kit. See page 25 for all noted accessories.

General purpose current rating [A]	Max. Horse power rating [HP] Three phase			Standard fuse link	Auxiliary contacts max.	Cable outlets, top and bottom	Catalog number	Weight/unit [kg]
	240 V	480 V	600 V					
<b>NEMA 4X, outdoor, watertight/raintight, splashing and hose-directed water, windblown dust, ice, corrosion resistance</b>								
30	7,5	15	20	R	2no+2nc	Blank	EOH361SS	12
60	15	30	50	R	2no+2nc	Blank	EOH362SS	13
100	30	60	75	R	2no+2nc	Blank	EOH363SS	16
200	60	125	150	R	4no+4nc	Blank	EOH364SS	26
400	125	250	350	R	4no+4nc	Blank	EOH365SS	54
600	200	400	500	R	4no+4nc	Blank	EOH366SS	68
800	250	500	500	L	2no+2nc	Blank	EOH367SS	67
1200	250	500	500	L	2no+2nc	Blank	EOH368SS	145

\* Available as special order. Contact your local ABB representative for delivery times.

# Ordering information

## Steel sheet enclosed heavy duty non-fusible safety switches



EOHU361K



EOHU362K



EOHU363K



EOHU364K



EOHU365K



EOHU366K



EOHU367



EOHU368

### Side operated non-fusible safety switch, black handle, NEMA 1

Ground bus included. Cabling accessories, fuses and auxiliary contacts are to be ordered separately. Colour: ANSI 61 (light grey). Standards: UL98, UL50, NEMA KS1, CSA. Units/catalog number = 1 piece.

General purpose current rating [A]	Max. Horse power rating [HP] Three phase			Auxiliary contacts max.	Cable outlets, top and bottom	Catalog number	Weight/unit [kg]
	240 V	480 V	600 V				
<b>NEMA 1, indoor, modest amounts of falling dirt</b>							
30	10	20	30	2no+2nc	Knockouts	EOHU361K	7
60	20	50	60	2no+2nc	Knockouts	EOHU362K	7
100	40	75	100	2no+2nc	Knockouts	EOHU363K	8
200	60	125	150	4no+4nc	Knockouts	EOHU364K	16
400	125	250	350	4no+4nc	Knockouts	EOHU365K	33
600	200	400	500	4no+4nc	Knockouts	EOHU366K	47
800	250	500	500	2no+2nc	Blank	EOHU367	56
1200	250	500	500	2no+2nc	Blank	EOHU368	135

### Cable outlets, knock-outs

Catalog number	Cable entry/exit, knockouts / top and bottom [ø inch]	Cable entry/exit, knockouts / top and bottom [ø mm]
EOH361K	3×(ø1+ø0.75+ø0.5+ø0.315)+ø0.25+2×(ø0.19)	3×(ø25.4+ø19.0+ø12.7+ø8.0)+ø6.4+2×(ø4.9)
EOH362K	3×(ø1.25+ø1+ø0.75+ø0.5+ø0.315)+ø0.25+ø0.8	3×(ø31.8+ø25.4+ø19.0+ø12.7+ø8)+ø6.4+ø20.4
EOH363K	2×(ø1.5+ø1.25+ø1+ø0.75+ø0.5)+ 1×(ø2+ø1.5+ø1.25+ø1+ø0.63)+ø0.25+ø0.8	2×(ø38.1+ø31.8+ø25.4+ø19.0+ø12.0)+ 1×(ø50.8+ø38.1+ø31.8+ø25.4+ø16.0)+ø6.4+ø20.4
EOH364K	3×(ø2.5+ø2+ø1.5+ø1.25+ø0.79)+ø0.25+ø0.9	3×(ø63.5+ø50.8+ø38.1+ø31.75+ø20)+ø6.35+ø22.4
EOH365K	3×(ø3.5+ø3+ø2.5+ø2+ø1.57)+2×(ø0.75+ø0.5)	3×(ø88.9+ø76.2+ø63.5+ø50.8+ø40)+2×(ø19.05+ø12.7)
EOH366K	4×(ø3.5+ø3+ø2.5+ø2+ø1.57)+2×(ø0.75+ø0.5)	4×(ø88.9+ø76.2+ø63.5+ø50.8+ø40)+2×(ø19.05+ø12.7)
EOH367	Blank	Blank
EOH368	Blank	Blank

# Ordering information

## Steel sheet enclosed heavy duty non-fusible safety switches



EOHU361JK/RK EOHU362JK/RK



EOHU363JK/RK EOHU364JK/RK



EOHU365JK/RK EOHU366JK/RK



EOHU367J/R EOHU368J/R

### Side operated non-fusible safety switch, black handle, NEMA 12 and 3R

Ground bus included. Cabling accessories, fuses and auxiliary contacts are to be ordered separately. Colour: ANSI 61 (light grey). Standards: UL98, UL50, NEMA KS1, CSA. Units/catalog number = 1 piece.

General purpose current rating [A]	Max. Horse power rating [HP] Three phase			Auxiliary contacts max.	Cable outlets, top and bottom	Catalog number	Weight/unit [kg]
	240 V	480 V	600 V				
<b>NEMA 12, indoor, dust-tight/watertight/driptight, circulating dust, falling dirt, dripping non-corrosive liquids</b>							
30	10	20	30	2no+2nc	Knockouts	EOHU361JK	8
60	20	50	60	2no+2nc	Knockouts	EOHU362JK	9
100	40	75	100	2no+2nc	Knockouts	EOHU363JK	9
200	60	125	150	4no+4nc	Knockouts	EOHU364JK	18
400	125	250	350	4no+4nc	Knockouts	EOHU365JK	39
600	200	400	500	4no+4nc	Knockouts	EOHU366JK	50
800	250	500	500	2no+2nc	Blank	EOHU367J	59
1200	250	500	500	2no+2nc	Blank	EOHU368J	135
<b>NEMA 3R, outdoor, weather-proof/rainproof, windblown rain, sleet, ice</b>							
30	10	20	30	2no+2nc	Knockouts	EOHU361RK	8
60	20	50	60	2no+2nc	Knockouts	EOHU362RK	9
100	40	75	100	2no+2nc	Knockouts	EOHU363RK	9
200	60	125	150	4no+4nc	Knockouts	EOHU364RK	18
400	125	250	350	4no+4nc	Knockouts	EOHU365RK	39
600	200	400	500	4no+4nc	Knockouts	EOHU366RK	50
800	250	500	500	2no+2nc	Blank	EOHU367R	59
1200	250	500	500	2no+2nc	Blank	EOHU368R	135

### Cable outlets, knock-outs

Catalog number	Cable entry/exit, knockouts / top and bottom [ø inch]	Cable entry/exit, knockouts / top and bottom [ø mm]
EOH361_K	3×(ø1+ø0.75+ø0.5+ø0.315)+ø0.25+2×(ø0.19)	3×(ø25.4+ø19.0+ø12.7+ø8.0)+ø6.4+2×(ø4.9)
EOH362_K	3×(ø1.25+ø1+ø0.75+ø0.5+ø0.315)+ø0.25+ø0.8	3×(ø31.8+ø25.4+ø19.0+ø12.7+ø8)+ø6.4+ø20.4
EOH363_K	2×(ø1.5+ø1.25+ø1+ø0.75+ø0.5)+ 1×(ø2+ø1.5+ø1.25+ø1+ø0.63)+ø0.25+ø0.8	2×(ø38.1+ø31.8+ø25.4+ø19.0+ø12.0)+ 1×(ø50.8+ø38.1+ø31.8+ø25.4+ø16.0)+ø6.4+ø20.4
EOH364_K	3×(ø2.5+ø2+ø1.5+ø1.25+ø0.79)+ø0.25+ø0.9	3×(ø63.5+ø50.8+ø38.1+ø31.75+ø20)+ø6.35+ø22.4
EOH365_K	3×(ø3.5+ø3+ø2.5+ø2+ø1.57)+2×(ø0.75+ø0.5)	3×(ø88.9+ø76.2+ø63.5+ø50.8+ø40)+2×(ø19.05+ø12.7)
EOH366_K	4×(ø3.5+ø3+ø2.5+ø2+ø1.57)+2×(ø0.75+ø0.5)	4×(ø88.9+ø76.2+ø63.5+ø50.8+ø40)+2×(ø19.05+ø12.7)
EOH367_	Blank	Blank
EOH368_	Blank	Blank

# Ordering information

## Stainless steel enclosed heavy duty non-fusible safety switches



EOHU361S/SS



EOHU362S/SS

### Side operated non-fusible safety switch, black handle, NEMA 4X, Grade 304

Ground bus included. Cabling accessories, fuses and auxiliary contacts are to be ordered separately. Colour: Grade 304 stainless steel sheet enclosure. Standards: UL98, UL50, NEMA KS1, CSA. Cable outlets / top and bottom: Blank.

Units/catalog number = 1 piece.



EOHU363S/SS



EOHU364S/SS



EOHU365S/SS



EOHU366S/SS

General purpose current rating [A]	Max. Horse power rating [HP] Three phase			Auxiliary contacts max.	Cable outlets, top and bottom	Catalog number	Weight/unit [kg]
	240 V	480 V	600 V				
<b>NEMA 4X, outdoor, watertight/raintight, splashing and hose-directed water, windblown dust, ice, corrosion resistance</b>							
30	10	20	30	2no+2nc	Blank	EOHU361S	8
60	20	50	60	2no+2nc	Blank	EOHU362S	9
100	40	75	100	2no+2nc	Blank	EOHU363S	9
200	60	125	150	4no+4nc	Blank	EOHU364S	18
400	125	250	350	4no+4nc	Blank	EOHU365S	39
600	200	400	500	4no+4nc	Blank	EOHU366S	50
800	250	500	500	2no+2nc	Blank	EOHU367S	59
1200	250	500	500	2no+2nc	Blank	EOHU368S	135

### Side operated non-fusible safety switch, black handle, NEMA 4X, Grade 316\*

Ground bus included. Cabling accessories, fuses and auxiliary contacts are to be ordered separately. Colour: Grade 316 stainless steel sheet enclosure. Standards: UL98, UL50, NEMA KS1, CSA. Cable outlets / top and bottom: Blank.

Units/catalog number = 1 piece.



EOHU367S/SS



EOHU368S/SS

General purpose current rating [A]	Max. Horse power rating [HP] Three phase			Auxiliary contacts max.	Cable outlets, top and bottom	Catalog number	Weight [kg]
	240 V	480 V	600 V				
<b>NEMA 4X, outdoor, watertight/raintight, splashing and hose-directed water, windblown dust, ice, corrosion resistance</b>							
30	10	20	30	2no+2nc	Blank	EOHU361SS	8
60	20	50	60	2no+2nc	Blank	EOHU362SS	9
100	40	75	100	2no+2nc	Blank	EOHU363SS	9
200	60	125	150	4no+4nc	Blank	EOHU364SS	18
400	125	250	350	4no+4nc	Blank	EOHU365SS	39
600	200	400	500	4no+4nc	Blank	EOHU366SS	50
800	250	500	500	2no+2nc	Blank	EOHU367SS	59
1200	250	500	500	2no+2nc	Blank	EOHU368SS	135

\* Available as special order. Contact your local ABB representative for delivery times.



# Accessories

## Selection overview

### Fusible safety switches



1 Fusible safety switch | 2 Neutral assembly (for switch size) | 3 Auxiliary contact block | 4 Hub | 5 Rejection members | 6 Fuse clip (T 60A) | 7 Fuse mounting bolt kit (T and J fuses) | 8 Line / load side lug assembly (for switch size) | 9 Fuse bases

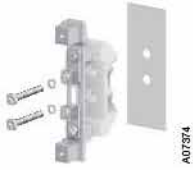
### Non-fusible safety switches



1 Non-fusible safety switch | 2 Neutral assembly (for switch size) | 3 Auxiliary contact block | 4 Hub | 5 Line / load side lug assembly (for switch size)

# Ordering information

## Field-installable accessories



EOHSN13

A07374

### Neutral assembly

Mounting screws included as standard. Units/catalog number = 1 piece.

Suitable for safety switch	Catalog number	Weight/unit [kg]
EOH/EOHU361_, 362_, 363_	EOHSN13	0.15
EOH/EOHU364_	EOHSN4	0.3
EOH/EOHU365_, 366_	EOHSN56	0.7
EOH/EOHU367_, 368_	EOHSN78	1.5



EOHSN4

A07375

### Auxiliary contact blocks, IP20

Contact numbering according to EN 50013. Units/catalog number = 1 piece.

Mounting under the mechanism cover:

EOH/EOHU361\_, 362\_, 363\_: Max. 4 auxiliary contacts

EOH/EOHU363\_, 364\_: Max. 8 auxiliary contacts

EOH/EOHU366\_, 367\_, 368\_: Max. 2 auxiliary contacts (Max. 4 auxiliary contacts if the mechanism cover is not placed)



EOHSN56

A07376

Function	Catalog number	Delivery batch <sup>2)</sup> [pcs]	Weight/unit [kg]
1NO	OA1G10	10	0.03
1NO	OA1G10AU <sup>1)</sup>	10	0.03
1NC	OA3G01	10	0.03
1NC	OA3G01AU <sup>1)</sup>	10	0.03

<sup>1)</sup> Types \_AU are gold plated for extremely difficult circumstances and low voltages.

<sup>2)</sup> Auxiliary contacts OA1G\_ are available in larger packing as well. A bulk package includes 50 switches. Catalog number: add a suffix: /B, e.g. OA1G01/B.



EOHSN78

A07377

### Performance data of auxiliary contacts / IEC / NEMA

For OA1G\_, OA3G\_, according to IEC 60947-5-1

U <sub>p</sub> [V]	AC15/I <sub>p</sub> [A]	U <sub>p</sub> [V]	DC12/I <sub>p</sub> [A]	DC12/P [W]	DC13/I <sub>p</sub> [A]	DC13/P [W]
230	6	24	10	240	2	50
400	4	72	4	290	0.8	60
415	4	125	2	250	0.55	70
690	2	250	0.55	140	0.27	70
		440	0.1	44		

For OA1G\_, OA3G\_ / IEC

U <sub>i</sub> [V]	U <sub>imp</sub> [kV]	Pollution degree	I <sub>m</sub> [A]	Cable size [mm <sup>2</sup> ]	Maximum fuse [A]
690	4	3	16	1...2 x 0.75...2.5	16 / gG

For OA1G\_, OA3G\_ / NEMA

Nema ratings, AC, AC600

AC rated voltage [VAC]	AC rated thermal current [A]	AC maximum volt-ampere making [VA]	AC maximum volt-ampere breaking [VA]
600	10	7200	720

Nema ratings, DC, R300

DC rated voltage [VDC]	DC rated thermal current [A]	DC maximum make-break [VA]	Wire size [AWG]
300	1	28	18 - 14, 1(2)



OA\_

SC0261A



# Ordering information

## Field-installable accessories



H\_-TB



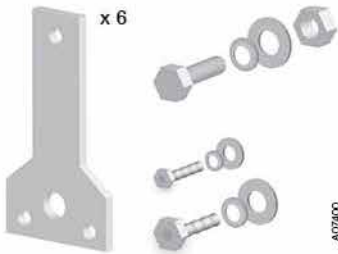
EOHRM1R/2R



EOHRM34R/5R/6R



EOHFC2T



EOHFBK\_

### Hubs

Hexagonal/splined body design for fast, easy installation with wrench or hammer and screwdriver.  
 - Hub and locknut: Zinc or copper-free aluminum. Insulating throat: Thermoplastic temp. rating – 105° C.  
 - Flammability rating – 94V-0. Sealing ring: Nitrile (BUNA “N”).

Meets NEMA sealing requirements for NEMA 1 and 3R enclosures, with suffix CP and SST also rated NEMA12 and 4X. UL Listed per NEC® 501.10(B). CSA Certified for hazardous locations Class II Groups E, F, G, Class III. UL File No. E-23018 CSA File No. 4484.

Suitable for fusible and non-fusible safety switches	Conduit size [in]	Catalog number
EOH/EOHU361_K, 362_K, 363_K, 365_K, 366_K	1/2	H050-TB
EOH/EOHU361_K, 362_K, 363_K, 365_K, 366_K	3/4	H075-TB
EOH/EOHU362_K, 363_K, 364_K	1 1/4	H125-TB
EOH/EOHU363_K, 364_K	1 1/2	H150-TB
EOH/EOHU363_K, 364_K, 365_K, 366_K	2	H200-TB
EOH/EOHU364_K, 365_K, 366_K	2 1/2	H250-TB
EOH/EOHU365_K, 366_K	3	H300-TB
EOH/EOHU365_K, 366_K	3 1/2	H350-TB

### Rejection members

The rejection members for class R -fuse clips prevent any other class of fuses from being installed. Units/catalog number = 3 pieces.

Suitable for fusible safety switches	Suitable for fuse / size	Catalog number
EOH361_	RK 30A	EOHRM1R
EOH362_	RK 60A	EOHRM2R
EOH363_, EOH364_	RK 100A, RK 200A	EOHRM34R
EOH365_	RK 400A	EOHRM5R
EOH366_	RK 600A	EOHRM6R

### Fuse adapter kits

Units/catalog number = 6 pieces.

Suitable for fusible safety switches	Suitable for fuse / size	Screw size	Catalog number
<b>Fuse clip</b>			
EOH362_	T 60 A		EOHFC2T

### Class T-fuse mounting kits

Include the mounting bolts, allied washers and connection bars.

EOH363_	T -fuse /100 A	UNC 1/4-20x1/2"	EOHFBK3
EOH364_	T -fuse / 200 A	UNC 5/16-18x5/8"	EOHFBK4
EOH365_	T -fuse / 400 A	UNC 3/8-16x5/8"	EOHFBK5

# Ordering information

## Field-installable accessories



EOHFBR1/2/3



OZXA100\_



OZXA400



OZXA800\_



OZXA1200\_

### Fuse bases

Mounting screws, terminal lugs and fuse clips included as standard. Units/catalog number = 1 piece for 3-pole switch.

Suitable for safety switch	Fuse type	Catalog number
<b>For heavy duty fusible safety switch</b>		
EOH361_	Class R	EOHFBR1
EOH362_	Class R	EOHFBR2
EOH363_	Class R	EOHFBR3LU
EOH364_	Class R	EOHFBR4LU
EOH365_	Class R	EOHFBR5LU
EOH366_	Class R	EOHFBR6
EOH367_	Class L	EOHFBL7
EOH3678_	Class L	EOHFBL8

### Line side lug assembly

Mounting screws included as standard. Units/catalog number = 3 pieces.

Suitable for safety switch	Catalog number
EOH/EOHU361_, 362_, 363_	OZXA100/3
EOH/EOHU364_	OZXA400/3
EOH/EOHU365_, 366_	OZXA800/3
EOH/EOHU367_	OZXA1200/3
EOH/EOHU368_	OZXA1200E/3

### Load side lug assembly

Mounting screws included as standard. Units/catalog number = 3 pieces.

Suitable for safety switch	Catalog number
<b>For heavy duty fusible safety switch</b>	
EOH361_, 362_, 363_	OZXA100/3
EOH364_	OZXA400/3
EOH365_	OZXA800E/3
EOH366_	OZXA800/3
EOH367_, 368_	OZXA1200/3
<b>For heavy duty non-fusible safety switch</b>	
EOHU361_, 362_, 363_	OZXA100/3
EOHU364_	OZXA400/3
EOHU365_, 366_	OZXA800/3
EOHU367_	OZXA1200/3
EOHU368_	OZXA1200E/3

# Replacement parts

## Selection overview

### Fusible safety switches



1 Fusible safety switch | 2 Switch-disconnect | 3 Handle kit | 4 Door interlock mechanism | 5 Door assembly

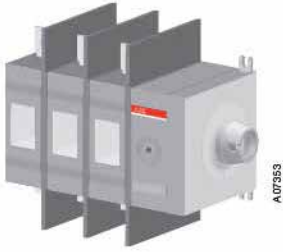
### Non-fusible safety switches



1 Non-fusible safety switch | 2 Switch-disconnect | 3 Handle kit | 4 Door interlock mechanism | 5 Door assembly

# Ordering information

## Replacement parts



OT30/60/100U30EOHR

A07363

### Switch-disconnects

Includes terminal lugs. Units/catalog number = 1 piece.

Suitable for safety switch	General purpose current rating [A]	Max. Horse power rating [HP] Three phase			Catalog number
		240 V	480 V	600 V	
EOH/EOHU361_	30	10	20	30	OT30U30EOHR
EOH/EOHU362_	60	20	50	60	OT60U30EOHR
EOH/EOHU363_	100	40	75	100	OT100U30EOHR
EOH/EOHU364_	200	60	125	150	OT200U30EOHR
EOH/EOHU365_	400	150	250	350	OT400U30EOHR
EOH/EOHU366_	600	200	400	500	OT600U30EOHR
EOH/EOHU367_	800	250	500	500	OT800U30EOHR
EOH/EOHU368_	1200	250	500	500	OT1200U30EOHR



EOHH1/2/3

A07370

### Handle kit

Handle, shaft, handle shield and mounting screws included as standard. Units/catalog number = 1 piece.

Suitable for safety switch	Catalog number
EOH/EOHU361_, 362_, 363_	EOHH1
EOH/EOHU364_, 365_, 366_, 367_	EOHH2
EOH/EOHU368_	EOHH3



EOHLM1/2

A07380

### Door interlock mechanism

Mounting screws included as standard. Units/catalog number = 1 piece.

Suitable for safety switch	Catalog number
EOH/EOHU361, 2, 3, TYPE 1	EOHLM1
EOH/EOHU361, 2, 3, TYPE 12, 3R, 4X	EOHLM2
EOH/EOHU364, TYPE 1	EOHLM3
EOH/EOHU364, TYPE 12, 3R, 4X	EOHLM4
EOH/EOHU365, 6, 7, TYPE 1	EOHLM5
EOH/EOHU365, 6, 7, TYPE 12, 3R, 4X	EOHLM6
EOH/EOHU368_	EOHLM7

# Ordering information

## Replacement parts



EOHFD\_/J\_/R\_



EOHFDS\_/SS\_

### Door assembly

Door assembly includes the door, ABB logo stripe, labels and hinges with screws as standard.

Units/catalog number = 1 piece.

Suitable for safety switch	Catalog number
<b>For heavy duty fusible safety switch</b>	
EOH361K	EOHFD1
EOH362K	EOHFD2
EOH363K	EOHFD3
EOH364K	EOHFD4
EOH365K	EOHFD5
EOH366K	EOHFD6
EOH367	EOHFD7
EOH368	EOHFD8
EOH361JK	EOHFDJ1
EOH362JK	EOHFDJ2
EOH363JK	EOHFDJ3
EOH364JK	EOHFDJ4
EOH365JK	EOHFDJ5
EOH366JK	EOHFDJ6
EOH367J	EOHFDJ7
EOH368J	EOHFDJ8
EOH361RK	EOHFDR1
EOH362RK	EOHFDR2
EOH363RK	EOHFDR3
EOH364RK	EOHFDR4
EOH365RK	EOHFDR5
EOH366RK	EOHFDR6
EOH367R	EOHFDR7
EOH368R	EOHFDR8
EOH361S	EOHFDS1
EOH362S	EOHFDS2
EOH363S	EOHFDS3
EOH364S	EOHFDS4
EOH365S	EOHFDS5
EOH366S	EOHFDS6
EOH367S	EOHFDS7
EOH368S	EOHFDS8
EOH361SS	EOHFDS1
EOH362SS	EOHFDS2
EOH363SS	EOHFDS3
EOH364SS	EOHFDS4
EOH365SS	EOHFDS5
EOH366SS	EOHFDS6
EOH367SS	EOHFDS7
EOH368SS	EOHFDS8

# Ordering information

## Replacement parts



EOHND\_/J\_/R\_



EOHNDS\_/SS\_

### Door assembly

Door assembly includes the door, ABB logo stripe, labels and hinges with screws as standard.

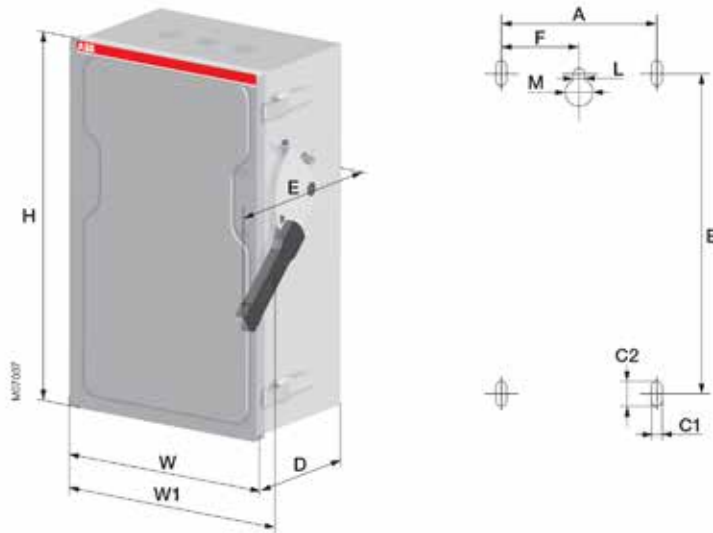
Units/catalog number = 1 piece.

Suitable for safety switch	Catalog number
<b>For heavy duty non-fusible safety switch</b>	
EOHU361K	EOHND1
EOHU362K	EOHND2
EOHU363K	EOHND3
EOHU364K	EOHND4
EOHU365K	EOHND5
EOHU366K	EOHND6
EOHU367	EOHND7
EOHU368	EOHND8
EOHU361JK	EOHNDJ1
EOHU362JK	EOHNDJ2
EOHU363JK	EOHNDJ3
EOHU364JK	EOHNDJ4
EOHU365JK	EOHNDJ5
EOHU366JK	EOHNDJ6
EOHU367J	EOHNDJ7
EOHU368J	EOHNDJ8
EOHU361RK	EOHNDR1
EOHU362RK	EOHNDR2
EOHU363RK	EOHNDR3
EOHU364RK	EOHNDR4
EOHU365RK	EOHNDR5
EOHU366RK	EOHNDR6
EOHU367R	EOHNDR7
EOHU368R	EOHNDR8
EOHU361S	EOHNDS1
EOHU362S	EOHNDS2
EOHU363S	EOHNDS3
EOHU364S	EOHNDS4
EOHU365S	EOHNDS5
EOHU366S	EOHNDS6
EOHU367S	EOHNDS7
EOHU368S	EOHNDS8
EOHU361SS	EOHNDS1
EOHU362SS	EOHNDS2
EOHU363SS	EOHNDS3
EOHU364SS	EOHNDS4
EOHU365SS	EOHNDS5
EOHU366SS	EOHNDS6
EOHU367SS	EOHNDS7
EOHU368SS	EOHNDS8

# Dimension drawings

## Heavy duty fusible safety switches, NEMA 1

Fusible safety switches, NEMA 1 types, from 30 A up to 600 A



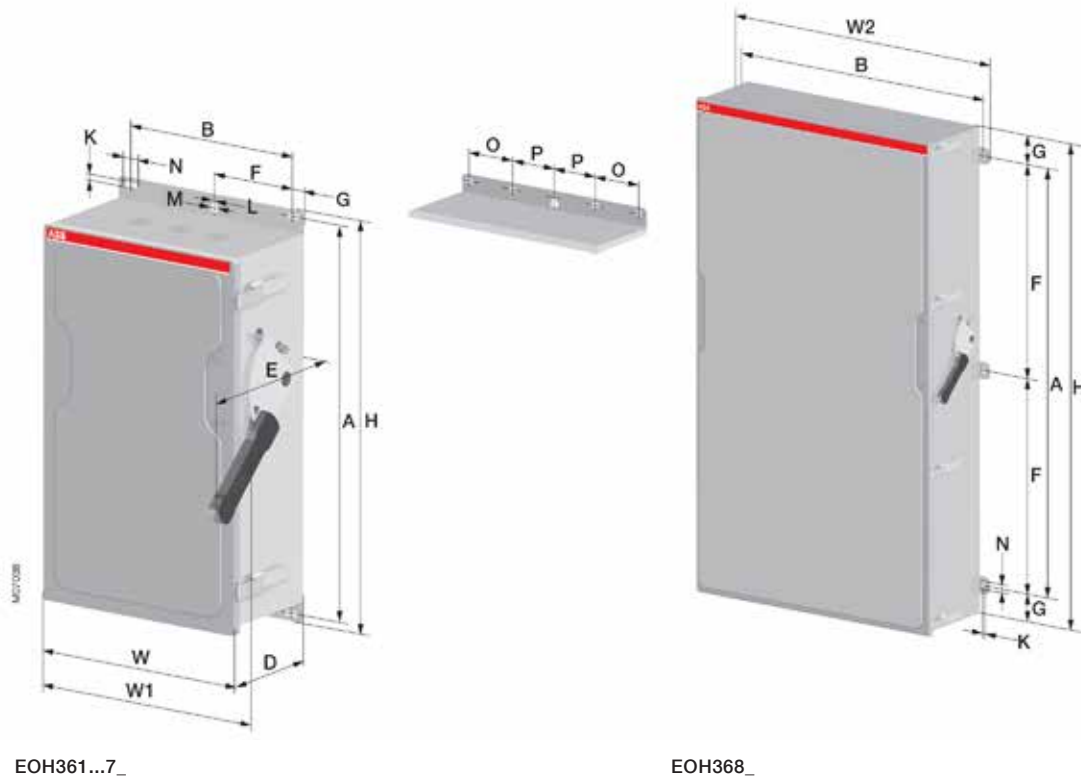
Catalog number	Size									
	H		W		W1		D		E	
	[in]	[mm]	[in]	[mm]	[in]	[mm]	[in]	[mm]	[in]	[mm]
<b>NEMA 1 type</b>										
EOH361K	17.99	457	12.91	328	14.41	366	6.46	164	8.70	221
EOH362K	21.3	541	12.91	328	14.41	366	6.46	164	8.70	221
EOH363K	29.33	745	12.91	328	14.41	366	6.46	164	8.70	221
EOH364K	38.39	975	17.28	439	18.54	471	7.48	190	10.28	261
EOH365K	56.06	1424	23.0	584	24.49	622	8.50	216	10.95	278
EOH366K	64.33	1634	23.0	584	24.49	622	8.50	216	11.26	286

Catalog number	Fixing dimensions						Fixing hole							
	A		B		F		C1		C2		L		M	
	[in]	[mm]	[in]	[mm]	[in]	[mm]	[in]	[mm]	[in]	[mm]	[in]	[mm]	[in]	[mm]
<b>NEMA 1 type</b>														
EOH361K	9.72	247	14.69	373	4.88	124	0.20	5	0.59	15	0.28	7	0.67	17
EOH362K	9.72	247	17.99	457	4.88	124	0.20	5	0.59	15	0.28	7	0.67	17
EOH363K	13.78	350	26.02	661	6.89	175	0.20	5	0.59	15	0.39	10	0.87	22
EOH364K	13.78	350	22.05	560	6.89	175	0.20	5	0.59	15	0.39	10	0.87	22
EOH365K	19.69	500	52.76	1340	9.84	250	0.28	7	0.75	19	0.51	13	0.20	25
EOH366K	19.69	500	61.02	1550	9.84	250	0.28	7	0.75	19	0.51	13	0.20	25

# Dimension drawings

## Heavy duty fusible safety switches, NEMA 1, 12 and 3R

Fusible safety switches, NEMA 12 and 3R types from 30 A up 1200 A, NEMA 1 types from 800 A up to 1200 A



EOH361...7\_

EOH368\_

Catalog number	Size											
	H		W		W1		W2		D		E	
	[in]	[mm]	[in]	[mm]	[in]	[mm]	[in]	[mm]	[in]	[mm]	[in]	[mm]
<b>NEMA 12 and 3R</b>												
EOH361JK_RK	19.41	493	13.23	336	14.49	368	-	-	6.30	160	9	229
EOH362JK_RK	22.72	577	13.23	336	14.49	368	-	-	6.30	160	9	229
EOH363JK_RK	30.75	781	13.23	336	14.49	368	-	-	6.30	160	9	229
EOH364JK_RK	39.80	1011	17.28	439	18.54	471	-	-	7.36	187	9.25	235
EOH365JK_RK	58.66	1490	22.99	584	24.53	623	-	-	8.50	216	10.39	264
EOH366JK_RK	66.93	1700	22.99	584	24.53	623	-	-	8.50	216	11.61	295
EOH367J_R	66.61	1692	22.99	584	24.53	623	-	-	8.50	216	11.61	295
EOH368J_R	68.90	1750	39.96	1015	41.77	1061	43.11	1095	12.60	320	11.61	295
<b>NEMA 1</b>												
EOH367	62.68	1592	22.99	584	24.53	623	-	-	8.50	216	11.61	295
EOH368	68.90	1750	39.96	1015	41.77	1061	43.11	1095	12.60	320	11.61	295

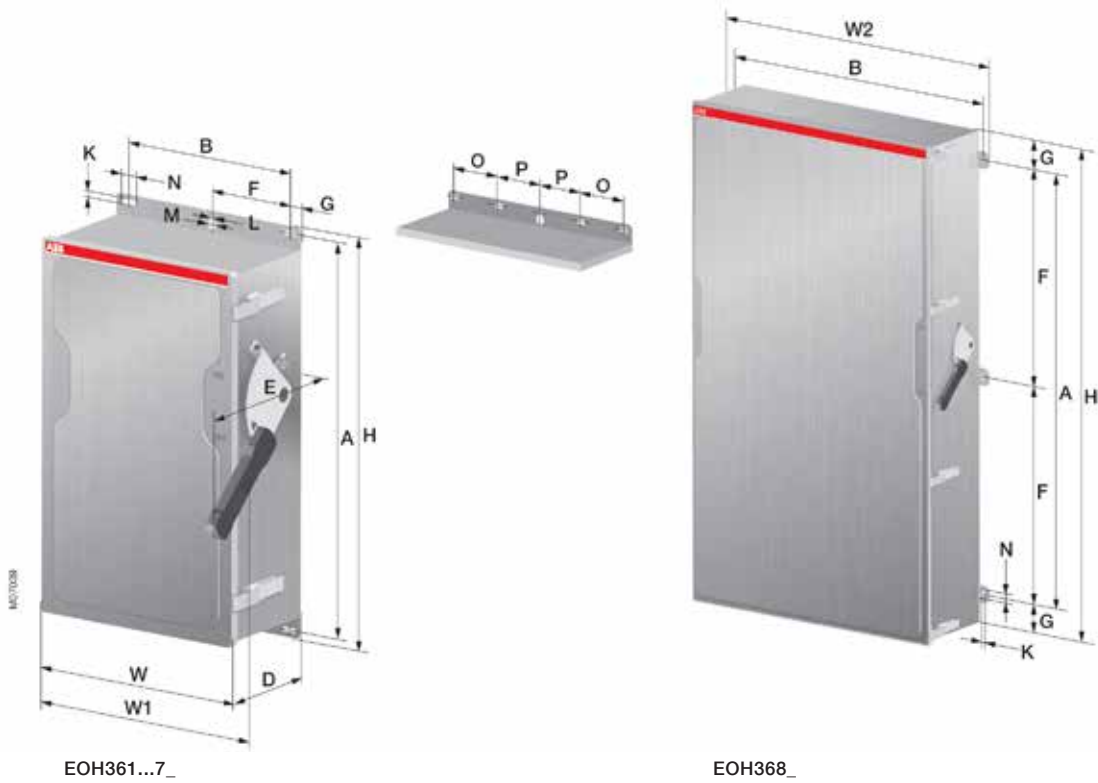
Catalog number	Fixing dimensions								Fixing hole											
	A		B		F		O		P		G		N		K		L		M	
	[in]	[mm]	[in]	[mm]	[in]	[mm]	[in]	[mm]	[in]	[mm]	[in]	[mm]	[in]	[mm]	[in]	[mm]	[in]	[mm]	[in]	[mm]
<b>NEMA 12 and 3R</b>																				
EOH361JK_RK	18.62	473	10.59	269	5.28	134	-	-	-	-	1.10	28	083	21	0.35	9	0.35	9	0.75	19
EOH362JK_RK	21.93	557	10.59	269	5.28	134	-	-	-	-	1.10	28	083	21	0.35	9	0.35	9	0.75	19
EOH363JK_RK	29.96	761	10.59	269	5.28	134	-	-	-	-	1.10	28	083	21	0.35	9	0.35	9	0.75	19
EOH364JK_RK	39.02	991	14.65	372	7.32	186	-	-	-	-	1.18	30	083	21	0.35	9	0.35	9	0.75	19
EOH365JK_RK	57.48	1460	20.16	512	10.08	256	5.20	132	4.82	122.5	1.00	25.5	1.14	29	0.55	14	0.55	14	0.98	25
EOH366JK_RK	65.75	1670	20.16	512	10.08	256	5.20	132	4.82	122.5	1.00	25.5	1.14	29	0.55	14	0.55	14	0.98	25
EOH367J_R	65.43	1662	20.16	512	10.08	256	5.20	132	4.82	122.5	1.00	25.5	1.14	29	0.55	14	0.55	14	0.98	25
EOH368J_R	60.95	1548	41.14	1045	30.47	774	-	-	-	-	3.98	101	1.18	30	0.39	10	-	-	-	-
<b>NEMA 1</b>																				
EOH367	60.32	1532	19.69	500	9.84	250	5.20	132	4.88	124	1.18	30	-	-	-	-	0.55	14	0.98	25
EOH368	60.95	1548	41.14	1045	30.47	774	-	-	-	-	3.98	101	1.18	30	0.39	10	-	-	-	-



# Dimension drawings

## Heavy duty fusible safety switches, NEMA 4X

Fusible safety switches, NEMA 4X types from 30 A up 1200 A



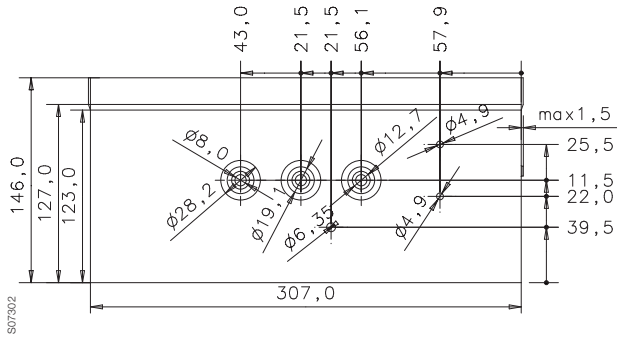
Catalog number	Size											
	H		W		W1		W2		D		E	
	[in]	[mm]	[in]	[mm]	[in]	[mm]	[in]	[mm]	[in]	[mm]	[in]	[mm]
EOH361S_SS	19.41	493	13.23	336	14.49	368	-	-	6.30	160	9	229
EOH362S_SS	22.72	577	13.23	336	14.49	368	-	-	6.30	160	9	229
EOH363S_SS	30.75	781	13.23	336	14.49	368	-	-	6.30	160	9	229
EOH364S_SS	39.80	1011	17.28	439	18.54	471	-	-	7.36	187	9.25	235
EOH365S_SS	58.66	1490	22.99	584	24.53	623	-	-	8.50	216	10.39	264
EOH366S_SS	66.93	1700	22.99	584	24.53	623	-	-	8.50	216	11.61	295
EOH367S_SS	66.61	1692	22.99	584	24.53	623	-	-	8.50	216	11.61	295
EOH368S_SS	68.90	1750	39.96	1015	41.77	1061	43.11	1095	12.60	320	11.61	295

Catalog number	Fixing dimensions								Fixing hole											
	A		B		F		O		P		G		N		K		L		M	
	[in]	[mm]	[in]	[mm]	[in]	[mm]	[in]	[mm]	[in]	[mm]	[in]	[mm]	[in]	[mm]	[in]	[mm]	[in]	[mm]	[in]	[mm]
EOH361S_SS	18.62	473	10.59	269	5.28	134	-	-	-	-	1.10	28	0.83	21	0.35	9	0.35	9	0.75	19
EOH362S_SS	21.93	557	10.59	269	5.28	134	-	-	-	-	1.10	28	0.83	21	0.35	9	0.35	9	0.75	19
EOH363S_SS	29.96	761	10.59	269	5.28	134	-	-	-	-	1.10	28	0.83	21	0.35	9	0.35	9	0.75	19
EOH364S_SS	39.02	991	14.65	372	7.32	186	-	-	-	-	1.18	30	0.83	21	0.35	9	0.35	9	0.75	19
EOH365S_SS	57.48	1460	20.16	512	10.08	256	5.20	132	4.82	122.5	1.00	25.5	1.14	29	0.55	14	0.55	14	0.98	25
EOH366S_SS	65.75	1670	20.16	512	10.08	256	5.20	132	4.82	122.5	1.00	25.5	1.14	29	0.55	14	0.55	14	0.98	25
EOH367S_SS	65.43	1662	20.16	512	10.08	256	5.20	132	4.82	122.5	1.00	25.5	1.14	29	0.55	14	0.55	14	0.98	25
EOH368S_SS	60.95	1548	41.14	1045	30.47	774	-	-	-	-	3.98	101	1.18	30	0.39	10	-	-	-	-

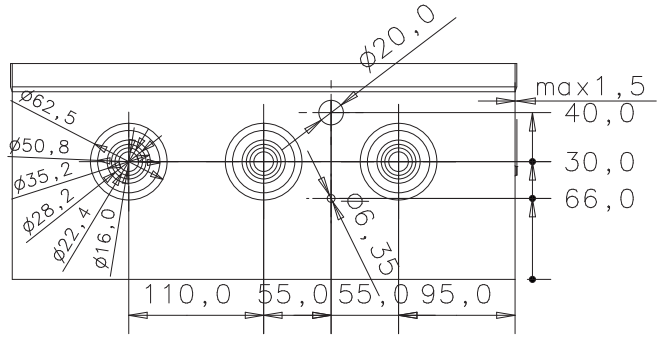
# Dimension drawings

## Fusible safety switches, cable outlets / knockouts

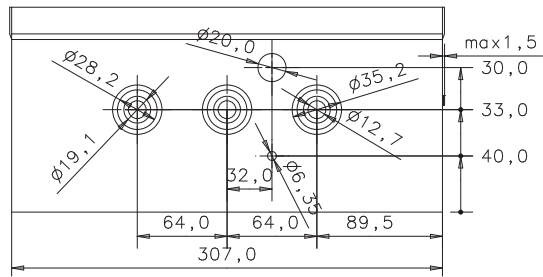
For catalog numbers EOH361K, EOH361JK, \_RK



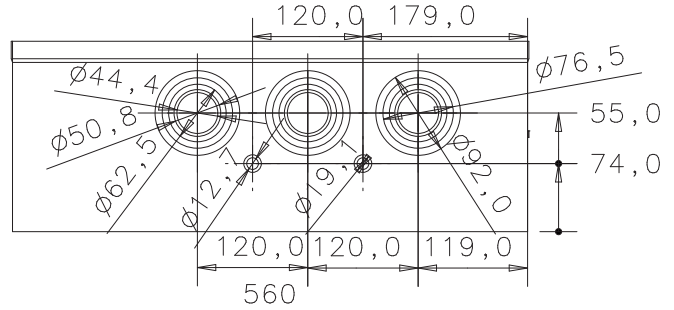
For catalog numbers EOH364K, EOH364JK, \_RK



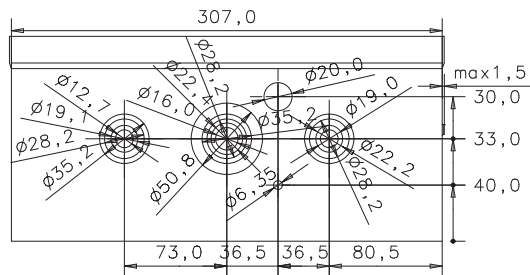
For catalog numbers EOH362K, EOH362JK, \_RK



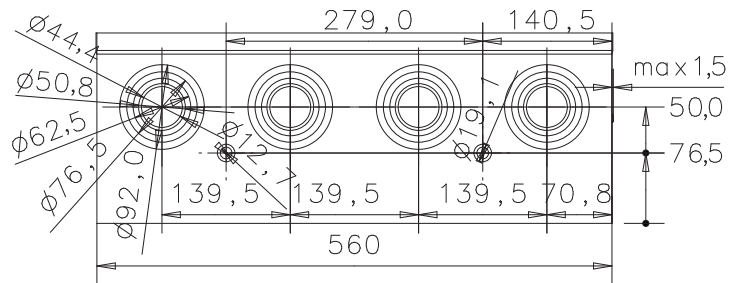
For catalog numbers EOH365K, EOH365JK, \_RK



For catalog numbers EOH363K, EOH363JK, \_RK



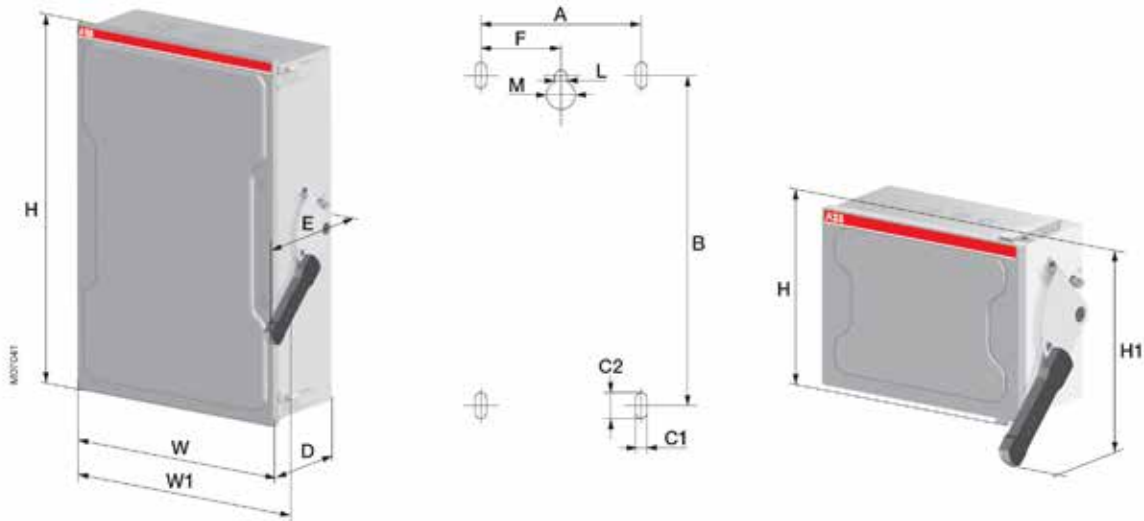
For catalog numbers EOH366K, EOH366JK, \_RK



# Dimension drawings

## Heavy duty non-fusible safety switches, NEMA 1

Non-fusible safety switches, NEMA 1 types, from 30 A up to 800 A



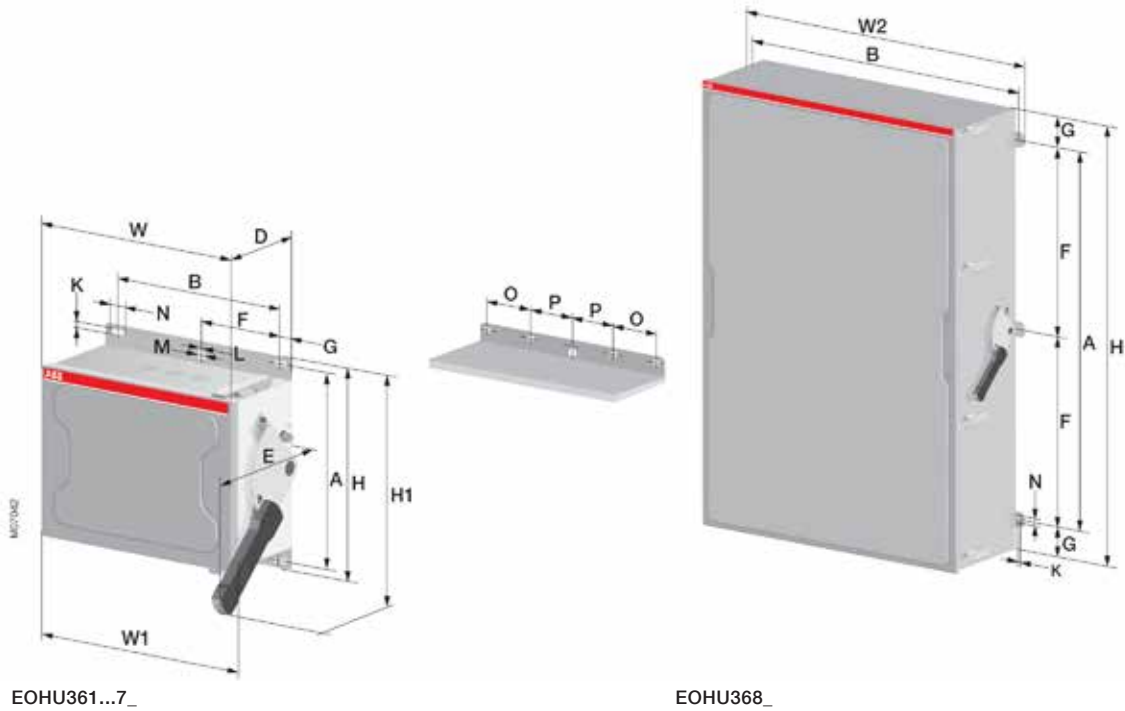
Catalog number	Size											
	H		H1		W		W1		D		E	
	[in]	[mm]	[in]	[mm]	[in]	[mm]	[in]	[mm]	[in]	[mm]	[in]	[mm]
<b>NEMA 1 type</b>												
EOHU361K	10.59	269	11.93	303	12.91	325	14.49	368	6.46	161	8.70	221
EOHU362K	12.72	323	12.99	330	12.91	325	14.49	368	6.46	161	8.70	221
EOHU363K	13.70	398	-	348	12.91	325	14.49	368	6.46	161	8.70	221
EOHU364K	25.35	644	-	-	17.28	439	18.54	471	7.48	190	10.28	261
EOHU365K	40.91	1039	-	-	22.99	584	24.53	623	8.78	223	10.83	275
EOHU366K	47.40	1204	-	-	22.99	584	24.53	623	8.78	223	10.83	286
EOHU367	55.12	1400	-	-	22.99	584	24.53	623	8.50	216	11.61	295

Catalog number	Fixing dimensions						Fixing hole							
	A		B		F		C1		C2		L		M	
	[in]	[mm]	[in]	[mm]	[in]	[mm]	[in]	[mm]	[in]	[mm]	[in]	[mm]	[in]	[mm]
<b>NEMA 1 type</b>														
EOHU361K	9.72	230	6.81	173	4.88	124	0.20	5	0.59	15	0.28	7	0.67	17
EOHU362K	9.72	230	9.41	239	4.88	124	0.20	5	0.59	15	0.28	7	0.67	17
EOHU363K	9.72	230	10.39	294	4.88	124	0.20	5	0.59	15	0.28	7	0.67	17
EOHU364K	13.78	350	22.05	560	6.90	175	0.20	5	0.59	15	0.39	10	0.87	22
EOHU365K	19.69	500	37.60	955	9.84	250	0.28	7	0.75	19	1.56	14.3	0.98	25
EOHU366K	19.69	500	44.09	1120	9.84	250	0.28	7	0.75	19	1.56	14.3	0.98	25
EOHU367	19.69	500	48.82	1240	9.84	250	0.28	7	0.75	19	1.56	14.3	0.98	25

# Dimension drawings

## Heavy duty non-fusible safety switches, NEMA 1, 12 and 3R

Non-fusible safety switches, NEMA 12 and 3R types from 30 A up 1200 A, NEMA 1 types 1200 A



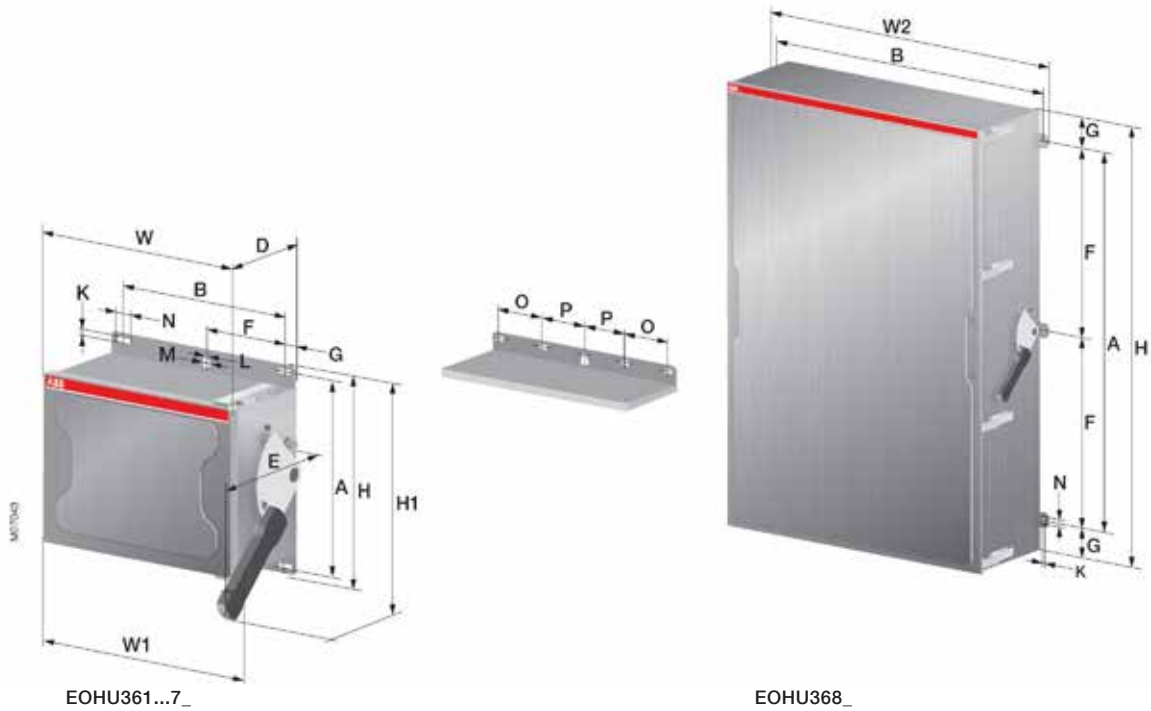
Catalog number	Size													
	H		H1		W		W1		W2		D		E	
	[in]	[mm]	[in]	[mm]	[in]	[mm]	[in]	[mm]	[in]	[mm]	[in]	[mm]	[in]	[mm]
<b>NEMA 12 and 3R</b>														
EOHU361JK_RK	11.54	293	12.40	315	13.23	325	14.49	368	-	-	6.3	156	9	221
EOHU362JK_RK	14.13	359	13.74	349	13.23	325	14.49	368	-	-	6.3	156	9	221
EOHU363JK_RK	15.12	440	-	-	13.23	325	14.49	368	-	-	6.3	156	9	221
EOHU364JK_RK	26.77	680	-	-	17.01	432	19.09	485	-	-	7.36	187	10.16	258
EOHU365JK_RK	42.72	1085	-	-	23.0	584	24.53	623	-	-	8.50	216	11.61	295
EOHU366JK_RK	50.39	1280	-	-	23.0	584	24.53	623	-	-	8.50	216	11.61	295
EOHU367J_R	55.12	1400	-	-	23.0	584	24.53	623	-	-	8.50	216	11.61	295
EOHU368J_R	57.48	1460	-	-	40.32	1024	41.89	1064	43.11	1095	12.56	319	-	-
<b>NEMA 1</b>														
EOHU368	57.48	1460	-	-	40.32	1024	41.89	1064	43.11	1095	12.56	319	-	-

Catalog number	Fixing dimensions										Fixing hole									
	A		B		F		O		P		G		N		K		L		M	
	[in]	[mm]	[in]	[mm]	[in]	[mm]	[in]	[mm]	[in]	[mm]	[in]	[mm]	[in]	[mm]	[in]	[mm]	[in]	[mm]	[in]	[mm]
<b>NEMA 12 and 3R</b>																				
EOHU361JK_RK	10.75	273	10.59	269	5.28	134	-	-	-	-	1.10	28	0.83	21	0.35	9	0.35	9	0.75	19
EOHU362JK_RK	13.35	339	10.59	269	5.28	134	-	-	-	-	1.10	28	0.83	21	0.35	9	0.35	9	0.75	19
EOHU363JK_RK	14.33	424	10.59	269	5.28	134	-	-	-	-	1.10	28	0.83	21	0.35	9	0.35	9	0.75	19
EOHU364JK_RK	25.98	660	14.65	372	7.32	186	-	-	-	-	0.87	22	0.83	21	0.35	9	0.35	9	0.75	19
EOHU365JK_RK	42.32	1075	20.16	512	10.08	256	5.2	132	4.88	124	1.00	25.5	1.14	29	0.55	14	0.55	14	0.98	25
EOHU366JK_RK	49.21	1250	20.16	512	10.08	256	5.2	132	4.88	124	1.00	25.5	1.14	29	0.55	14	0.55	14	0.98	25
EOHU367J_R	53.94	1370	20.16	512	10.08	256	5.2	132	4.88	124	1.00	25.5	1.14	29	0.55	14	0.55	14	0.98	25
EOHU368J_R	50.32	1278	41.34	1050	25.16	639	-	-	-	-	3.58	91	1.18	30	0.39	10	-	-	-	-
<b>NEMA 1</b>																				
EOHU368	50.32	1278	41.34	1050	25.16	639	-	-	-	-	3.58	91	1.18	30	0.39	10	-	-	-	-

# Dimension drawings

## Heavy duty non-fusible safety switches, NEMA 4X

Non-fusible safety switches, NEMA 4X types from 30 A up 1200 A



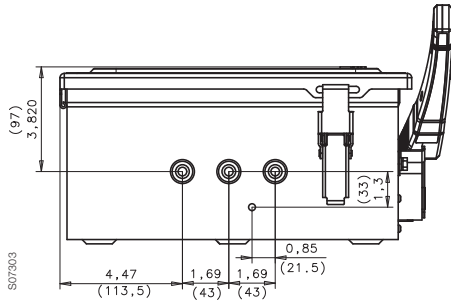
Catalog number	Size		H		H1		W		W1		W2		D		E	
	[in]	[mm]	[in]	[mm]	[in]	[mm]	[in]	[mm]	[in]	[mm]	[in]	[mm]	[in]	[mm]	[in]	[mm]
EOHU361S,_SS	11.54	293	12.40	315	13.23	336	14.49	368	-	-	-	-	6.3	160	9	229
EOHU362S,_SS	14.13	359	13.74	349	13.23	336	14.49	368	-	-	-	-	6.3	160	9	229
EOHU363S,_SS	15.12	384	-	-	13.23	336	14.49	368	-	-	-	-	6.3	160	9	229
EOHU364S,_SS	26.77	680	-	-	17.01	432	19.09	485	-	-	-	-	7.36	187	10.16	258
EOHU365S,_SS	42.72	1085	-	-	23.0	584	24.53	623	-	-	-	-	8.50	216	11.61	295
EOHU366S,_SS	50.39	1280	-	-	23.0	584	24.53	623	-	-	-	-	8.50	216	11.61	295
EOHU367S,_SS	55.12	1400	-	-	23.0	584	24.53	623	-	-	-	-	8.50	216	11.61	295
EOHU368S,_SS	57.48	1460	-	-	40.32	1024	41.89	1064	43.11	1095	12.56	319	-	-	-	-

Catalog number	Fixing dimensions								Fixing hole												
	A	B	F	O	P	G	N	K	L	M	A	B	F	O	P	G	N	K	L	M	
[in]	[mm]	[in]	[mm]	[in]	[mm]	[in]	[mm]	[in]	[mm]	[in]	[mm]	[in]	[mm]	[in]	[mm]	[in]	[mm]	[in]	[mm]	[in]	[mm]
EOHU361S,_SS	10.75	273	10.59	269	5.28	134	-	-	-	-	1.10	28	0.83	21	0.35	9	0.35	9	0.75	19	
EOHU362S,_SS	13.35	339	10.59	269	5.28	134	-	-	-	-	1.10	28	0.83	21	0.35	9	0.35	9	0.75	19	
EOHU363S,_SS	14.33	364	10.59	269	5.28	134	-	-	-	-	1.10	28	0.83	21	0.35	9	0.35	9	0.75	19	
EOHU364S,_SS	25.98	660	14.65	372	7.32	186	-	-	-	-	0.87	22	0.83	21	0.35	9	0.35	9	0.75	19	
EOHU365S,_SS	42.32	1075	20.16	512	10.08	256	5.2	132	4.88	124	1.00	25.5	1.14	29	0.55	14	0.55	14	0.98	25	
EOHU366S,_SS	49.21	1250	20.16	512	10.08	256	5.2	132	4.88	124	1.00	25.5	1.14	29	0.55	14	0.55	14	0.98	25	
EOHU367S,_SS	53.94	1370	20.16	512	10.08	256	5.2	132	4.88	124	1.00	25.5	1.14	29	0.55	14	0.55	14	0.98	25	
EOHU368S,_SS	50.32	1278	41.34	1050	25.16	639	-	-	-	-	3.58	91	1.18	30	0.39	10	-	-	-	-	

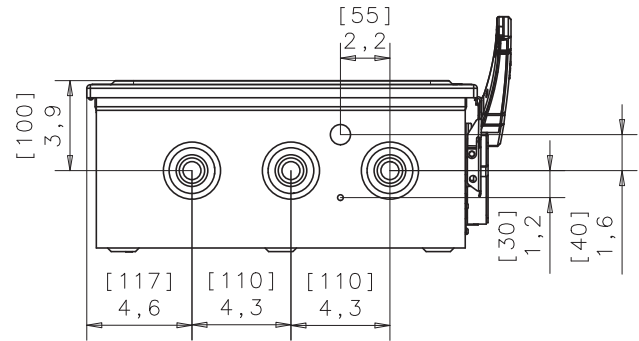
# Dimension drawings

## Non-fusible safety switches, cable outlets / knockouts

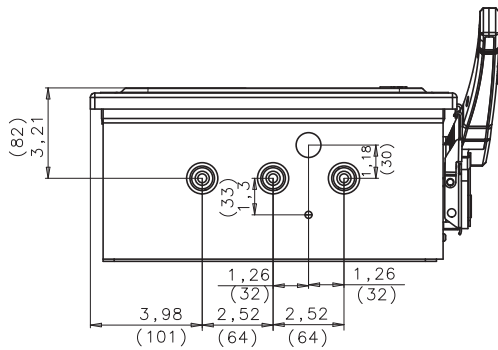
For catalog numbers EOHU361K, EOHU361JK, \_RK



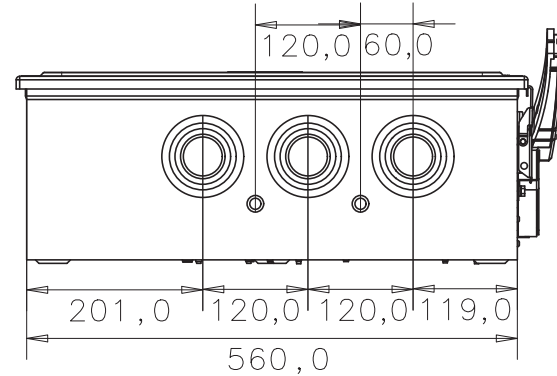
For catalog numbers EOHU364K, EOHU364JK, \_RK



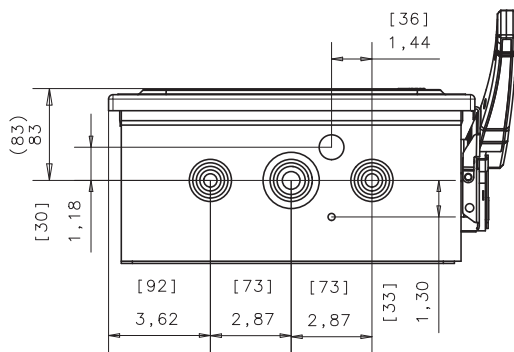
For catalog numbers EOHU362K, EOHU362JK, \_RK



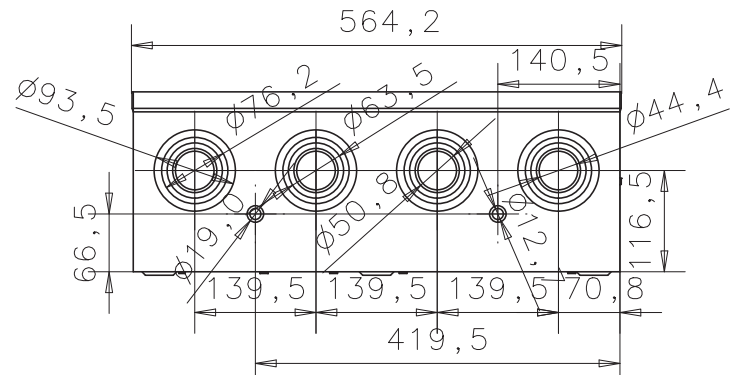
For catalog numbers EOHU365K, EOHU365JK, \_RK



For catalog numbers EOHU363K, EOHU363JK, \_RK



For catalog numbers EOHU366K, EOHU366JK, \_RK





# Contact us

## **ABB Inc. / USA**

### **Low Voltage Control Products**

16250 W Glendale Drive  
New Berlin, WI 53151  
Phone: 888-385-1221  
Fax: 800-726-1441

### **USA Technical Support & Customer Service:**

888-385-1221, Option 4  
7:30AM to 5:30PM, CST, Monday - Friday  
E-Mail: [lvps.support@us.abb.com](mailto:lvps.support@us.abb.com)

[www.abb.us/lowvoltage](http://www.abb.us/lowvoltage)

## **ABB Inc. / CANADA**

2117, 32nd Avenue  
Lachine, QC H8T 3J1

[www.abb.com/ca](http://www.abb.com/ca)

Electrical equipment should be installed, operated, serviced, and maintained only by qualified personnel. No responsibility is assumed by ABB for any consequences arising out of the use of this material.