



Catalog

# Softstarters

Type PSR, PSS, PSE, PST and PSTB

**Efficient PSE range – world’s first compact softstarter with torque control**

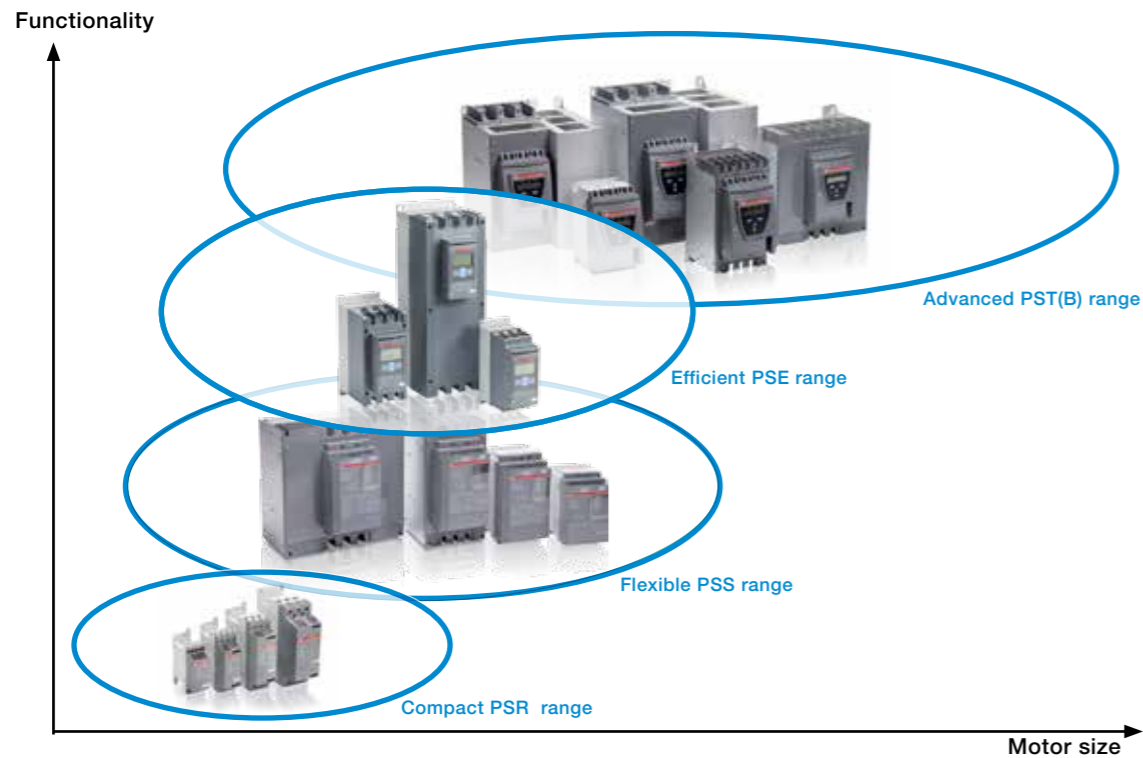
The latest addition to ABB’s softstarter family is the efficient PSE range. This softstarter has been equipped with all the most important features making it a very efficient choice. During the development process, great focus has been put into making sure that both the softstarter and the process are even more reliable. Furthermore, the softstarter has been equipped with built-in by-pass to reduce wiring and a back-lit display to provide a hassle free and easy setup and monitoring.

**The complete range of softstarters**

ABB’s softstarter portfolio now consists of four different ranges making it possible to find a suitable softstarter for almost any possible application and motor size all the way up to 1800 A. The softstarter family consists of the compact PSR, the flexible PSS, the efficient PSE and the advanced PST(B) range.

**Semiconductor fuses changed to knife type**

The Bussmann semiconductor fuses, recommended to be used together with PSS, PSE and PST(B) softstarters, have been changed from screw fixing (DIN43 653) to knife fixing (DIN43 620). This will make it possible to use the standard OS type switch fuses from ABB.



News ..... 2  
 Contents ..... 3  
 Softstarters ..... 4  
 Applications..... 6

**PSR - The compact range**

Description ..... 8  
 Overview ..... 9  
 Ordering details..... 10  
 Accessories ..... 11  
 Technical data ..... 12  
 UL ratings ..... 13

**PSS - The flexible range**

Description ..... 14  
 Overview ..... 16  
 Ordering details..... 18  
 Accessories ..... 22  
 Technical data ..... 23  
 UL ratings ..... 25

**PSE - The efficient range**

Description ..... 26  
 Overview ..... 28  
 Ordering details..... 30  
 Accessories ..... 32  
 Technical data ..... 33  
 UL ratings ..... 35

**PST(B) - The advanced range**

Description ..... 36  
 Overview ..... 38  
 Ordering details..... 40  
 Accessories ..... 44  
 Technical data ..... 45  
 UL ratings ..... 49

**FBP FieldBusPlug**

DeviceNET, MODBUS-RTU and CANopen..... 50  
 Profibus DP ..... 52

**Wall mounting instructions**

Dimensions ..... 55  
 Circuit diagrams ..... 59  
 ProSoft (selection tool) ..... 62  
 Coordination tables..... 62  
 Certifications and approvals ..... 63

# Softstarters

From the moment the first electric motor was developed, engineers have tried to come up with ways of avoiding the electrical and mechanical problems that usually occur when starting a motor. High inrush currents, current spikes and excessive mechanical wear are some of the problems that need to be avoided. One way is to use a Star-Delta starter. This method is for many applications an insufficient solution since it handles neither problems with current spikes or torque peaks nor provides a way to perform a soft stop. A softstarter on the other hand, will provide far better performance during the start and allows for soft stops of the motor.

ABB has been producing softstarters since the beginning of the 1980's. Over 30 years' experience has been incorporated into the design of today's product ranges. Modern power electronics matched with smart circuitry and software gives users of ABB's softstarters, with several state-of-the-art design features, superior control of current and voltage levels during motor start and stop.

## The solution to both mechanical and electrical problems

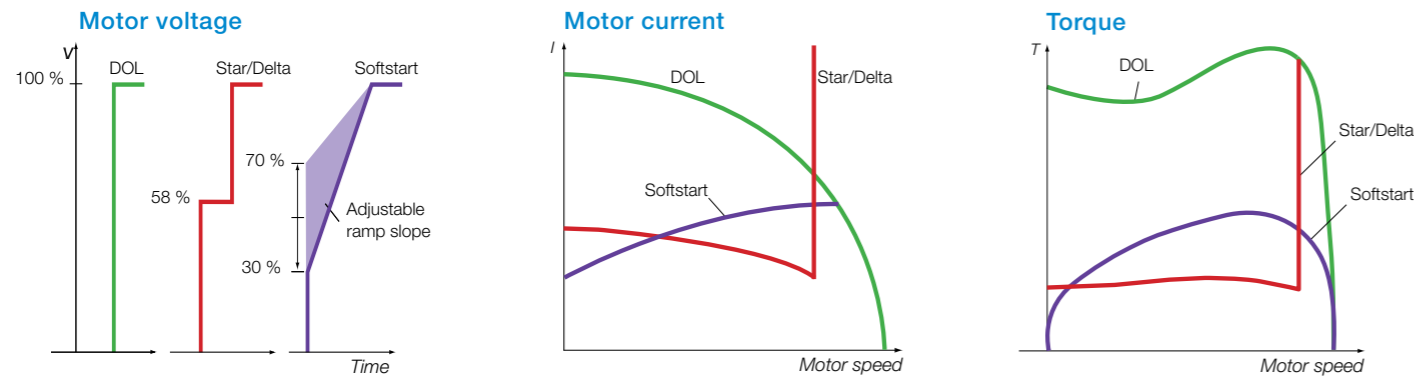
AC motors, "the workhorses of the industry", are used to drive fans, crushers, agitators, pumps, conveyors and more. Depending on the motor installation, torque and current peaks occur. These peaks are everyday reality for production plants

all over the world, causing problems in several ways:

- Electrical problems due to voltage and current transients arising from Direct-On-Line or Star-Delta starts. The transients may overload the local supply network and cause unacceptable voltage variations that interfere with other electrical equipment connected to the network.
- Mechanical problems that address the entire drive chain, from motor to driven equipment, causing a big need for service and repair work.
- Operational problems, such as damage to products on conveyor belts.
- Water hammering and pressure surges in pipe systems when starting and stopping pumps.

The financial consequences of the problems above are considerable. Every technical problem and every breakdown costs money in repairs and lost production.

By choosing ABB's softstarter, all of these problems could be avoided. Whether the choice is the PSR, PSS, PSE or the PST(B), ABB's softstarters all allow smooth start and stops while keeping mechanical and electrical stresses to a minimum.



Graphs showing the basic differences between Direct-On-Line starting (DOL), Star-Delta starting and soft starting in terms of the motor voltage (V), motor current (I) and motor torque (T).

# Softstarters

## ABB's softstarters – The complete range

ABB offers four different ranges of softstarters to cover every customer need for solutions with motor sizes up to 1800 A. This page describes the main characteristics of the different softstarter ranges.

### PSR – The compact range

The PSR softstarter is the most compact of all the softstarter ranges. A compact softstarter also allows for the design of compact starting equipment. A PSR together with a MMS (manual motor starter) makes up a far more compact starting solution than a Star-Delta starter, for instance.

By including a built-in by-pass the energy losses inside the softstarter are reduced. And with only three potentiometers, the setup of the PSR could not be easier. Still, the optimized ramping characteristics will ensure a very smooth start and stop for all applications.

### PSS – The flexible range

The PSS is the most flexible of the four softstarter ranges from ABB. It allows both in-line and inside delta connections. As with the PSR, few settings are needed to get it up and running. Connecting an external current transformer makes it possible to activate the current limit function which will allow you to keep the current at a pre-set level also when starting heavy-duty applications. The PSS softstarter is the ideal solution when looking for a robust solid state starting solution where handling many starts per hour is required.

### PSE – The efficient range

The PSE softstarter is the world's first compact softstarter with both built-in electronic overload for motor protection and torque control for excellent control of pumps. A compact design, packed with functionality, makes the PSE a very efficient starting solution.

An illuminated, language neutral display and a four button keypad makes it easy to take advantage of all the advanced features of the PSE softstarter. The display provides all the necessary information both during ramping and continuous operation.

**PSR18 - 600 - 70**

- Control supply voltage: 70 = 100-250 V AC  
11 = 24 V AC/DC
- Operational voltage: 600 V
- Current rating: 18 A
- Softstarter range

### PST(B) – The advanced range

The PST(B) softstarter is the most advanced softstarter in the range with almost all imaginable functionality included. Advanced protection of the motor, softstarter and load ensures a trouble-free operation. Problems are detected before the motor needs to be stopped thanks to a pre-warning system that minimizes downtime.

The torque control of the PST(B) was developed in cooperation with well-known pump manufacturers to ensure the best possible stop of pumps, without the risk of water hammering and pressure surges.

With the full-text LCD display in your own language, pre-programmed application settings and event logging, setup and operation could not be easier.

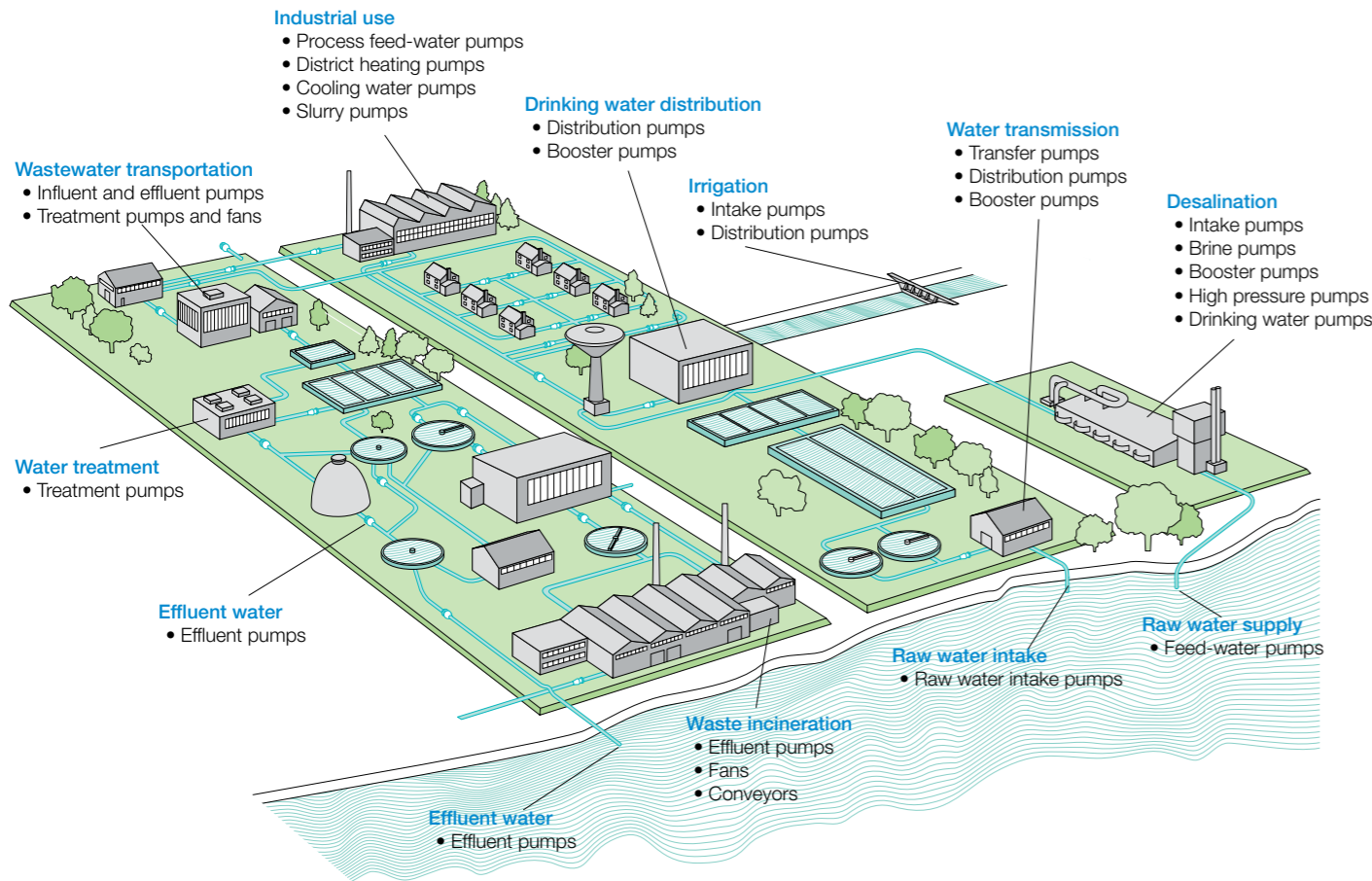
By using the ABB's FieldBusPlug, you can decide at any time which bus protocol to use. The fieldbus system will allow you to setup, control and monitor the softstarter.

PSR	PSS	PSE	PST(B)	• Standard O Optional – Not available
•	–	•	• 1)	Built-in by-pass 1) on PSTB
–	•	–	•	Inside delta connection
–	–	•	O	Coated PCBs
–	–	•	•	Display and keypad
–	–	•	•	Torque control
–	O	•	•	Settable current limit function
–	–	•	•	Electronic motor overload protection
–	–	–	•	PTC input for motor protection
–	–	–	•	Phase imbalance protection
–	–	–	•	Phase reversal protection
–	–	•	•	Locked rotor protection
–	•	•	•	Thyristor overtemperature protection
–	–	•	•	Underload protection
–	–	–	•	Programmable warning functions
–	–	•	•	Analog output
O	–	O	•	FieldBus communication
–	–	O	•	Event log
–	–	O	O	External keypad

# Applications

## Pumps

Water is the most important resource in the world and water facilities can be found everywhere. Examples of water applications are freshwater and wastewater systems, circulating water for heating, cooling and irrigation.



### Common questions:

- How to avoid voltage drops when starting?
- ABB's softstarter will reduce the starting current and thereby avoid the voltage drops.
- How to avoid water hammering when stopping?
- Use our softstarters equipped with an optimized stop ramp. Or even better, with torque control.
- How to ensure high reliability in harsh environments?
- Use our softstarters equipped with coated circuit boards to better withstand those environments.
- How to protect my pumping equipment in the best possible way?
- Use ABB's softstarters equipped with our special designed protections such as overload, underload, and locked rotor protection.

# Applications

## Fans



### Common questions:

- How to avoid extended voltage drops due to long starting time?
- Use ABB's softstarter equipped with current limit to keep control of the starting current.
- How to extend the life of the driving belts?
- Our softstarters will reduce the mechanical stress during start, thus avoiding slipping belts.
- How to ensure the operation of the fan?
- A softstarter with underload protection will detect broken belts, making the operator immediately aware of the problem.

## Compressors



### Common questions:

- How to ensure a long life of the compressor?
- Using a softstarter for starting will reduce the accelerating torque, thereby minimizing the mechanical stress.
- How to build a compact compressor unit?
- Using a compact softstarter like PSR or PSE will allow a much more compact starting equipment than for instance a Star-Delta starter.

## Conveyor belts



### Common questions:

- How to reduce the need for service and repair of the conveyor belt?
- A softstarter from ABB will ensure starts with minimal mechanical stress on the conveyor belt.
- How to avoid that the conveyor belt is running in the wrong direction?
- Use a softstarter with phase reversal protection.
- How to improve the efficiency of the conveyor belt?
- Using softstarters with high and low current warnings allow you to load on and off the conveyor belt.
- How to ensure a successful start even after longer times without operation?
- A softstarter with kick start function will provide sufficient torque to be able to overcome the initial high friction from a temporary jammed belt.

# PSR – The compact range

## Description



### Product description

- Wide rated operational voltage 208–600 V
- Rated control supply voltage 24 V AC/DC or 100–240 V AC
- Rated operational current 3–105 A
- Wide ambient temperature range, -25 to +60 °C
- Built-in by-pass on all sizes, saving energy and reducing installation time
- Potentiometer settings
- Run signal relay on all devices
- TOR signal relay on PSR25 ... PSR105
- Optional fieldbus communication using Profibus, Modbus, Devicenet or CANopen
- DIN rail mounting on PSR3 ... PSR45
- Screw mounting on all sizes
- Connection kits for easy connection with ABB's manual motor starters
- Sophisticated algorithm eliminating the DC-component and thereby providing excellent starting performance

The PSR range is the most compact of all ABB's softstarter ranges. The compact PSR range makes it possible to fit many devices into the same enclosure. A PSR together with a MMS (manual motor starter) makes up a far more compact starting solution than a Star-Delta starter, for instance.

### Flexible mounting

PSR softstarters from 3 to 45 A are possible to mount on a DIN-rail, ensuring quick and easy mounting. Naturally, all sizes can be screw mounted.

### Few settings

The setup of the PSR is easily done and confirmed using the three clearly marked potentiometers on the front.

### Built-in by-pass for energy saving

The built-in by-pass on all sizes does not only save energy; it will also ensure the most compact ABB's softstarter design and reduce the installation time. Thanks to the reduced heat generation, the softstarter can be mounted inside high IP class enclosures.

### Suitable for stopping pumps

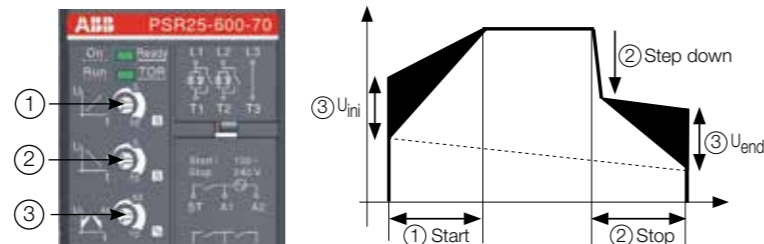
Even without using torque control, the PSR range is designed to reduce water hammering. Compared to the direct stops of a Star-Delta starter or a DOL starter the PSR is superior. See the stop ramp with step-down voltage below.

### System concept with manual motor starters

All PSR softstarter sizes can easily be connected to the corresponding manual motor starters from ABB by using the special designed connection kits. This makes both the mounting and the connection easier and will provide a very compact starting solution containing short circuit and thermal protection, isolation function and soft starter - everything that you need.

### Settings

- Start = 1 ... 20 sec  
Stop = 0 ... 20 sec - including the step down voltage.
- Step down = 2% reduction for each second increased stop ramp  
Stop ramp 10 sec -> step down 80% (20% reduction)
- $U_{ini}$  = 40 ... 70% results in end voltage = 30 ... 60%



# PSR – The compact range

## Overview



	PSR3 ... PSR16				PSR25 ... PSR30				PSR37... PSR45		PSR60 ... PSR105			
	<b>Softstarter, type</b>													
Normal start In-line connected	PSR3	PSR6	PSR9	PSR12	PSR16	PSR25	PSR30	PSR37	PSR45	PSR60	PSR72	PSR85	PSR105	
	(400 V) kW	1.5	3	4	5.5	7.5	11	15	18.5	22	30	37	45	55
	IEC, max. A	3.9	6.8	9	12	16	25	30	37	45	60	72	85	105
(440-480 V) hp	2	3	5	7.5	10	15	20	25	30	40	50	60	75	
UL, max FLA	3.4	6.1	9	11	15.2	24.2	28	34	46.2	59.4	68	80	104	
	<b>400 V, 40 °C</b>													
Using manual motor starters type 1 coordination will be achieved	<b>Manual motor starter (50 kA) type</b>			MS116			MS132			MS450		MS495		—
Using gG fuses type 1 coordination will be achieved	<b>Fuse protection (50 kA) gG Fuse</b>													
	10 A	16 A	25 A	32 A	50 A	63 A	100 A	125 A	200 A	250 A				
Suitable switch fuse for the above gG fuses	<b>Switch fuse, type</b>						OS32GD			OS125GD		OS250D		
Overload protection is used to protect the motor from over heating	<b>Thermal overload relay</b>													
	TF42				TF65				TF96		TF140DU			
The line contactor is not required for the softstarter itself but often used to open if OL trips	<b>Line contactor, type</b>													
	AF9		AF12	AF16	AF26	AF30	AF38	AF52	AF65	AF80	AF96	AF116		
Using by-pass will reduce the power loss and allow more starts per hour	<b>By-pass contacts</b>													
	Built-in													

# PSR – The compact range

## Ordering details



# PSR – The compact range

## Accessories

### PSR3 ... PSR105

Rated operational voltage  $U_o$ , 208-600 V AC

Rated control supply voltage,  $U_c$ , 100-240 V AC

Motor power

230 V P kW	400 V P kW	500 V P kW	IEC Max rated operational current $I_e$ A	Type	Order code	Weight kg 1 piece
0.75	1.5	2.2	3.9	PSR3-600-70	1SFA896103R7000	0.450
1.5	3	4	6.8	PSR6-600-70	1SFA896104R7000	0.450
2.2	4	4	9	PSR9-600-70	1SFA896105R7000	0.450
3	5.5	5.5	12	PSR12-600-70	1SFA896106R7000	0.450
4	7.5	7.5	16	PSR16-600-70	1SFA896107R7000	0.450
5.5	11	15	25	PSR25-600-70	1SFA896108R7000	0.650
7.5	15	18.5	30	PSR30-600-70	1SFA896109R7000	0.650
7.5	18.5	22	37	PSR37-600-70	1SFA896110R7000	1.000
11	22	30	45	PSR45-600-70	1SFA896111R7000	1.000
15	30	37	60	PSR60-600-70	1SFA896112R7000	2.200
22	37	45	72	PSR72-600-70	1SFA896113R7000	2.270
22	45	55	85	PSR85-600-70	1SFA896114R7000	2.270
30	55	55	105	PSR105-600-70	1SFA896115R7000	2.270

Rated operational voltage  $U_o$ , 208-600 V AC

Rated control supply voltage,  $U_c$ , 24 V AC/DC

0.75	1.5	2.2	3.9	Type	Order code	Weight kg 1 piece
0.75	1.5	2.2	3.9	PSR3-600-11	1SFA896103R1100	0.450
1.5	3	4	6.8	PSR6-600-11	1SFA896104R1100	0.450
2.2	4	4	9	PSR9-600-11	1SFA896105R1100	0.450
3	5.5	5.5	12	PSR12-600-11	1SFA896106R1100	0.450
4	7.5	7.5	16	PSR16-600-11	1SFA896107R1100	0.450
5.5	11	15	25	PSR25-600-11	1SFA896108R1100	0.650
7.5	15	18.5	30	PSR30-600-11	1SFA896109R1100	0.650
7.5	18.5	22	37	PSR37-600-11	1SFA896110R1100	1.000
11	22	30	45	PSR45-600-11	1SFA896111R1100	1.000
15	30	37	60	PSR60-600-11	1SFA896112R1100	2.200
22	37	45	72	PSR72-600-11	1SFA896113R1100	2.270
22	45	55	85	PSR85-600-11	1SFA896114R1100	2.270
30	55	55	105	PSR105-600-11	1SFA896115R1100	2.270



PSR3 ... PSR16



PSR25 ... PSR30



PSR37 ... PSR45



PSR60 ... PSR105



PSR16-MS116



PSR30-MS132



PSR45-MS450



PSR105-MS495



PSR-FAN3-45A



PSR-FAN60-105A



PS-FBPA



PSLW

### Connection kit

For softstarter type	Type	Order code	Pack <sup>ing</sup> piece	Weight kg 1 piece
PSR3...PSR16 with MS116 or MS132	PSR16-MS116	1SFA896211R1001	1	0.022
PSR25...PSR30 with MS132-12...MS132-32	PSR30-MS132	1SFA896212R1001	1	0.040
PSR37...PSR45 with MS450	PSR45-MS450	1SFA896213R1001	1	0.034
PSR60...PSR105 with MS495	PSR105-MS495	1SAM501903R1001	1	0.050

### Fan

For softstarter type	Type	Order code	Pack <sup>ing</sup> piece	Weight kg 1 piece
PSR3...PSR45	PSR-FAN3-45A	1SFA896311R1001	1	0.010
PSR60...PSR105	PSR-FAN60-105A	1SFA896313R1001	1	0.013

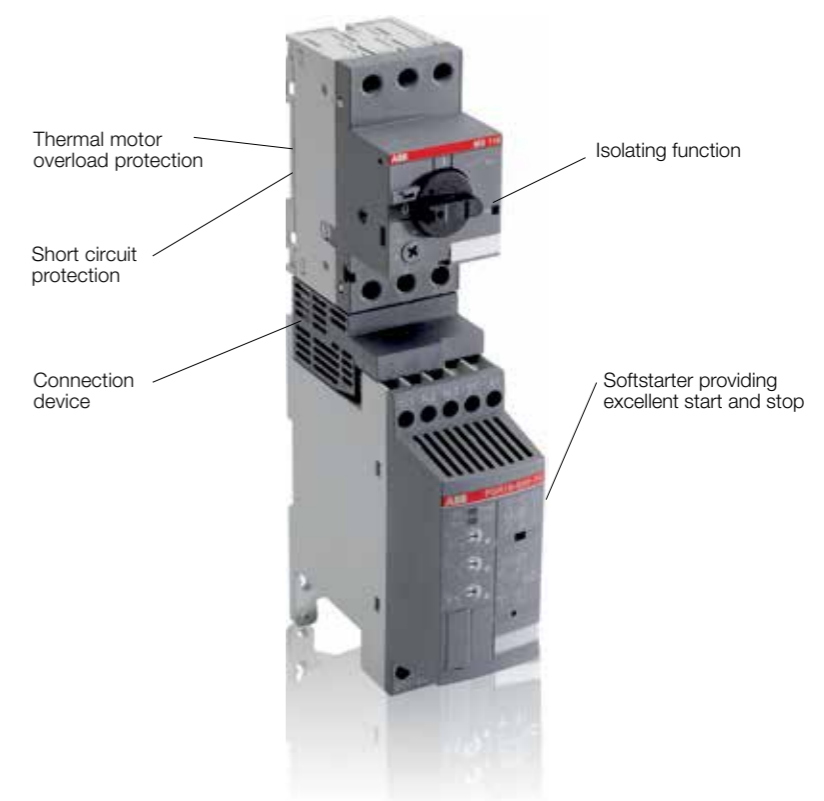
### Terminal enlargements

For softstarter type	Type	Order code	Pack <sup>ing</sup> piece	Weight kg 1 piece
PSR60...105	PSLW-72	1SFA899002R1072	1	0.150
Wire range mm2	1x10...50, 2x10...25			

### FieldBusPlug connection accessory

For softstarter type	Type	Order code	Pack <sup>ing</sup> piece	Weight kg 1 piece
The same accessory for all sizes	PS-FBPA	1SFA896312R1002	1	0.060
ABB's FieldBusPlug suitable for all sizes. See page 50-53				

### Connection kit



# PSR – The compact range

## Technical data

Rated insulation voltage $U_i$	600 V												
Rated operational voltage $U_o$	208...600 V +10%/-15%, 50/60 Hz ±5%												
Rated control supply voltage $U_c$	100...240 V AC, 50/60Hz ±5% or 24 V AC/DC, +10%/-15%												
Power consumption	PSR3	PSR6	PSR9	PSR12	PSR16	PSR25	PSR30	PSR37	PSR45	PSR60	PSR72	PSR85	PSR105
Supply circuit	at 100-240 V AC: 12 VA; at 24 V AC/DC: 5 W; 10 VA												
Max. Power loss at rated $I_o$	PSR3	PSR6	PSR9	PSR12	PSR16	PSR25	PSR30	PSR37	PSR45	PSR60	PSR72	PSR85	PSR105
	0.7 W	2.9 W	6.5 W	11.5 W	20.5 W	25 W	36 W	5.5 W	8.1 W	3.6 W	5.2 W	7.2 W	6.6 W
Starting capacity at $I_o$	4 x $I_o$ for 6 sec.												
Number of starts per hour	See table below for details												
standard	10 <sup>1)</sup>												
with aux. fan	20 <sup>1)</sup>												
Service factor	100%												
Ambient temperature	during operation: -25 °C to +60 °C <sup>2)</sup> ; during storage: -40 °C to +70 °C												
Maximum altitude	4000 m <sup>3)</sup>												
Degree of protection	PSR3	PSR6	PSR9	PSR12	PSR16	PSR25	PSR30	PSR37	PSR45	PSR60	PSR72	PSR85	PSR105
main circuit	IP20						IP10						
control circuit	IP20												
Connectable cable area	PSR3-PSR16: 1 x 0.75-2.5mm <sup>2</sup> ; PSR25-PSR30: 1 x 2.5-10mm <sup>2</sup> ; PSR37-PSR45: 1 x 6-35mm <sup>2</sup> ; PSR60-PSR105: 1 x 10-95mm <sup>2</sup>												
main circuit	2 x 0.75-2.5mm <sup>2</sup> ; 2 x 2.5-10mm <sup>2</sup> ; 2 x 6-16mm <sup>2</sup> ; 2 x 6-35mm <sup>2</sup>												
control circuit	PSR3-PSR16: 1 x 0.75-2.5mm <sup>2</sup> ; PSR25-PSR105: 1 x 0.75-2.5mm <sup>2</sup> ; 2 x 0.75-1.5mm <sup>2</sup>												
Signal relays	PSR3-PSR16: PSR25-PSR105												
for run signal													
resistive load	240 V AC, 3 A/24 V DC, 3 A						240 V AC, 3 A/24 V DC, 3 A						
AC-15 (contactor)	240 V AC, 0.5 A/24 V DC, 0.5 A						240 V AC, 0.5 A/24 V DC, 0.5 A						
for top ramp signal													
resistive load	-						240 V AC, 3 A/24 V DC, 3 A						
AC-15 (contactor)	-						240 V AC, 0.5 A/24 V DC, 0.5 A						
LED	for On/Ready: green; for Run/Top of ramp: green												
Settings	Ramp time during start: 1-20 sec.; Ramp time during stop: 0-20 sec.; Initial- and end voltage: 40-70%												

<sup>1)</sup> Valid for 50% on time and 50% off time. If other data is required, contact your sales office.

<sup>2)</sup> Above 40 °C up to max. 60 °C reduce the rated current with 0.8% per °C.

<sup>3)</sup> When used at high altitudes above 1000 meters up to 4000 meters you need to derate the rated current using the following formula.

$$[\% \text{ of } I_o = 100 - \frac{x-1000}{150}] \quad x = \text{actual altitude for the softstarter}$$

## Number of starts per hour using PSR softstarters

Motor current $I_o$	Starts/hour without auxiliary fan						Starts/hour with auxiliary fan					
	10	20	30	40	50	100	10	20	30	40	50	100
3 A	PSR3						PSR3					
6 A	PSR6			PSR9			PSR6			PSR9		
9 A	PSR9		PSR12		PSR16		PSR9		PSR12		PSR16	
12 A	PSR12		PSR16		PSR25		PSR12		PSR16		PSR25	
16 A	PSR16		PSR25		PSR30		PSR16		PSR25		PSR30	
25 A	PSR25		PSR30		PSR37		PSR25		PSR30		PSR37	
30 A	PSR30		PSR37		PSR45		PSR30		PSR37		PSR45	
37 A	PSR37		PSR45		PSR60		PSR37		PSR45		PSR60	
45 A	PSR45		PSR60		PSR72		PSR45		PSR60		PSR72	
60 A	PSR60		PSR72		PSR85		PSR60		PSR72		PSR85	
72 A	PSR72		PSR85		PSR105		PSR72		PSR85		PSR105	
85 A	PSR85		PSR105		-		PSR85		PSR105		-	
105 A	PSR105		-		-		PSR105		-		-	

Data based on an ambient temperature of 40°, starting current of 4 x  $I_o$  and ramp time 6 seconds.

For more optimized selections, or to use PSR for heavy-duty starts, please use the softstarter selection tool.

# PSR – The compact range

## UL ratings

### UL ratings

Softstarter Type	Motor power P (hp) and full load current FLA (A)					Max. fuse A, Type
	Max FLA A	$U_o$ 200 V/208 V hp	$U_o$ 220 V/240 V hp	$U_o$ 440 V/480 V hp	$U_o$ 550 V/600 V hp	
PSR3	3.4	0.5	0.75	2	2	35 A J-Type
PSR6	6.1	1	1.5	3	5	35 A J-Type
PSR9	9	2	2	5	7.5	35 A J-Type
PSR12	11	3	3	7.5	10	35 A J-Type
PSR16	15.2	3	5	10	10	35 A J-Type
PSR25	24.2	7.5	7.5	15	20	60 A J-Type
PSR30	28	7.5	10	20	25	60 A J-Type
PSR37	34	10	10	25	30	90 A J-Type
PSR45	46.2	15	15	30	40	90 A J-Type
PSR60	59.4	20	20	40	50	110 A J-Type
PSR72	68	20	25	50	60	125 A J-Type
PSR85	80	25	30	60	75	150 A J-Type
PSR105	104	30	40	75	100	200 A J-Type



# PSS – The flexible range

## Description



### Product description

- Rated operational voltage 208–690 V AC
- Rated control supply voltage 110–120 V AC or 220–240 V AC
- Rated operational current 18–300 A (Up to 515 A inside delta)
- Wide ambient temperature range, -25 to +60 °C
- Settings done by rotating switches
- Designed for continuous operation without by-pass
- By-pass signal relay allowing easy control of external by-pass contactor
- Fault signal relay (NO or NC)
- Current limit function as an option

The PSS is the most flexible of the four softstarter ranges from ABB. It allows both in-line and inside delta connections. It is the ideal solution when looking for a robust solid state starting solution where many starts per hour are required.

### Flexible connection

The PSS softstarter can be connected both in line and inside delta. The inside delta connection makes it possible to select a smaller size softstarter matching the inside delta current. All functionality will still remain the same.

### Replacement for Star-Delta starters

As the PSS can be connected inside-delta it makes for a cost-efficient replacement of an existing Star-Delta starter. You can reuse the two sets of motor cables as well as the contactors and thermal overload.

### Solid state starting solution

The robust design of the PSS softstarter has no moving mechanical parts. It is dimensioned to handle many starts per hour, which can be required for, e.g., elevator applications.

### Few settings

The setup of the PSS softstarter is easily done using the three rotating switches to adjust the start and stop and the dip switch to select between in-line or inside-delta connection. This will also give a quick and easy overview of the used settings.

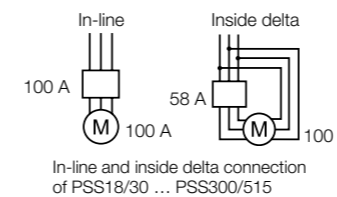
### Possible to use current limit

Using an external current transformer will make it possible to activate the current limit function. This will allow you to keep the current at a pre-set level also when starting heavy-duty applications.

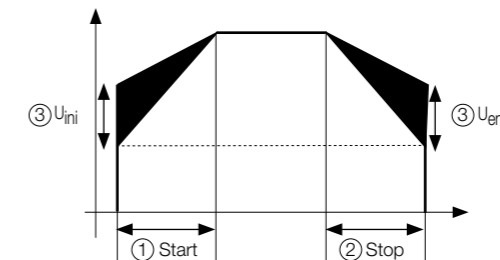
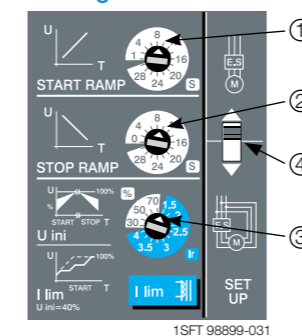
# PSS – The flexible range

## Description

The PSS softstarter can be selected according to the rated motor power in normal duty applications like pumps, compressors, elevators, escalators, short conveyor belts and bow thrusters. See page 18-19. For heavy-duty applications like centrifugal fans, crushers, mixers, mills, stirrers and long conveyor belts, select a softstarter from page 20-21.



### Settings



- ① Ramp time START = 1 ... 30 sec
- ② Ramp time STOP = 0 ... 30 sec
- ③ Initial voltage  $U_{ini}$  and end voltage = 30 ... 70%  
Level of current limit = 1.5 ...  $4xI_n$   
When current limit is used, initial voltage and end voltage is fixed at 40%
- ④ Switch for in-line or inside delta connection





# PSS – The flexible range

## Overview



PSS18/30...PSS44/76

PSS50/85...PSS72/124

Normal start In-line connected	PSS18/30...PSS44/76				PSS50/85...PSS72/124						
	(400 V) kW	7.5	15	18.5	22	25	30	37			
IEC, max. A	18	30	37	44	50	60	72				
(440-480 V) hp	10	20	25	30	30	40	50				
UL, max FLA	18	28	34	40	47	56	67				
400 V, 40° C											
Using MCCB type 1 coordination will be achieved											
MCCB (50 kA), type											
T2S160											
To achieve type 2 coordination semi-conductor fuses must be used											
Fuse protection (65 kA), semi-conductor fuses, Bussmann, type											
170M1564		170M1566		170M1568		170M1569		170M1570		170M1571	
Suitable switch fuse for the recommended semi-conductor fuses											
Switch fuse, type											
OS32GD03P			OS63GD03P			OS125GD03P					
Overload protection is used to protect the motor from over heating											
Thermal overload relay, type											
TF42DU				TA75DU							
The line contactor is not required for the softstarter itself but often used to open if OL trips											
Line contactor, type											
AF16		AF30		AF38		A50		A63		A75	
The by-pass contactor will reduce the power loss of the softstarter. All softstarters can be operated without by-pass											
By-pass contactor, type											
AF9		AF16		AF26		AF30		A40		A50	
Must be used if current limit function is required											
Current transformers, type											
PSCT-30 1 turn		PSCT-40 1 turn		PSCT-50 1 turn		PSCT-60 1 turn		PSCT-75 1 turn		PSCT-100 1 turn	

A50 ... A300 might be replaced by AF50 ... AF300  
The table above is an overview of possible combinations of devices.  
Complete coordination tables are available at [www.abb.com/lowvoltage](http://www.abb.com/lowvoltage)

# PSS – The flexible range

## Overview



PSS85/147...PSS142/245

PSS175/300...PSS300/515

Normal start In-line connected	PSS85/147...PSS142/245			PSS175/300...PSS300/515		
	(400 V) kW	45	55	75	90	132
IEC, max. A	85	105	142	175	250	300
(440-480 V) hp	60	75	100	125	150	200
UL, max FLA	85	105	125	156	225	248
400 V, 40° C						
Using MCCB type 1 coordination will be achieved						
MCCB (50 kA), type						
T2S160		T3S250		T4S320		T5S400
To achieve type 2 coordination semi-conductor fuses must be used						
Fuse protection (65 kA), semiconductor fuses, Bussmann, type						
170M1572		170M3819		170M5809		170M5810
170M5813		170M5813		170M5813		170M6813
Suitable switch fuse for the recommended semi-conductor fuses						
Switch fuse, type						
OS125GD03P		OS250D03P		OS400D03P		OS630D03P
Overload protection is used to protect the motor from over heating						
Thermal overload relay, type						
TA110DU		TA200DU		TA450DU		
The line contactor is not required for the softstarter itself but often used to open if OL trips						
Line contactor, type						
A95		A110		A145		A185
A260		A300				
The by-pass contactor will reduce the power loss of the softstarter. All softstarters can be operated without by-pass						
By-pass contactor, type						
A50		A63		A95		A145
A210						
Must be used if current limit function is required						
Current transformers, type						
PSCT-125 1 turn		PSCT-150 1 turn		PSCT200 1 turn		PSCT-250 1 turn
PSCT-400 1 turn						

**How to select correct size**  
By using the guide here, you can quickly select a suitable softstarter for the most common applications.  
If a more precise selection is required, you can use the softstarter selection tool available at [www.abb.com/lowvoltage](http://www.abb.com/lowvoltage)

**Quick guide for selection**

<p><b>Normal start class 10</b></p> <p>Ordering - see page 18-19</p>	<p><b>Heavy-duty start class 30</b></p> <p>Ordering - see page 20-21</p>
--	--

**Typical applications**

• Bow thruster	• Centrifugal pump	• Centrifugal fan	• Conveyor belt (long)
• Compressor	• Conveyor belt (short)	• Crusher	• Mill
• Elevator	• Escalator	• Mixer	• Stirrer

**! If more than 10 starts/h**  
**Select one size larger than the standard selection**

# PSS – The flexible range

## Normal starts, class 10, in-line, ordering details



# PSS – The flexible range

## Normal starts, class 10, inside delta, ordering details



### PSS18/30 ... PSS300/515

Rated operational voltage,  $U_e$ , 208-500 V

Motor power			IEC Max rated operational current $I_e$ A	Type <sup>*)</sup>	Order code <sup>**)</sup>	Weight kg 1 piece
400 V P kW	500 V P kW	690 V P kW				
7.5	11	-	18	PSS18/30-500□■	1SFA892001R∇00▼	2.30
15	18.5	-	30	PSS30/52-500□■	1SFA892002R∇00▼	2.30
18.5	22	-	37	PSS37/64-500□■	1SFA892003R∇00▼	2.30
22	25	-	44	PSS44/76-500□■	1SFA892004R∇00▼	2.30
25	30	-	50	PSS50/85-500□■	1SFA892005R∇00▼	3.60
30	37	-	60	PSS60/105-500□■	1SFA892006R∇00▼	3.80
37	45	-	72	PSS72/124-500□■	1SFA892007R∇00▼	3.80
45	55	-	85	PSS85/147-500□■	1SFA892008R∇00▼	8.60
55	75	-	105	PSS105/181-500□■	1SFA892009R∇00▼	10.40
75	90	-	142	PSS142/245-500□■	1SFA892010R∇00▼	10.40
90	110	-	175	PSS175/300-500□■	1SFA892011R∇00▼	20.50
132	160	-	250	PSS250/430-500□■	1SFA892013R∇00▼	22.00
160	200	-	300	PSS300/515-500□■	1SFA892014R∇00▼	22.00



PSS18/30-500 ... 44/76-500



PSS50/85-500 ... 72/124-500  
PSS18/30-690 ... 72/124-690



PSS85/147-500 ... 142/245-500  
PSS85/147-690 ... 142/245-690



PSS175/300-500 ... 300/515-500  
PSS175/300-690 ... 300/515-690

Rated operational voltage,  $U_e$ , 400-690 V

7.5	11	15	18	PSS18/30-690□■	1SFA893001R∇00▼	2.30
15	18.5	25	30	PSS30/52-690□■	1SFA893002R∇00▼	2.30
18.5	22	30	37	PSS37/64-690□■	1SFA893003R∇00▼	2.30
22	25	37	44	PSS44/76-690□■	1SFA893004R∇00▼	2.30
25	30	45	50	PSS50/85-690□■	1SFA893005R∇00▼	3.60
30	37	55	60	PSS60/105-690□■	1SFA893006R∇00▼	3.80
37	45	59	72	PSS72/124-690□■	1SFA893007R∇00▼	3.80
45	55	75	85	PSS85/147-690□■	1SFA893008R∇00▼	8.60
55	75	90	105	PSS105/181-690□■	1SFA893009R∇00▼	10.40
75	90	132	142	PSS142/245-690□■	1SFA893010R∇00▼	10.40
90	110	160	175	PSS175/300-690□■	1SFA893011R∇00▼	20.50
132	160	220	250	PSS250/430-690□■	1SFA893013R∇00▼	22.00
160	200	257	300	PSS300/515-690□■	1SFA893014R∇00▼	22.00

<sup>\*)</sup> Add code letter in type for:  
Rated control supply voltage,  $U_c$   
□ F = 110-120 V, 50/60 Hz  
L = 220-240 V, 50/60 Hz  
Fault signal relay  
■ no code letter = NO  
C = NC

<sup>\*\*)</sup> Add code number in order code for:  
Fault signal relay  
∇ 1 = NO  
2 = NC  
Rated control supply voltage,  $U_c$   
▼ 1 = 110-120 V, 50/60 Hz  
2 = 220-240 V, 50/60 Hz

### PSS18/30 ... PSS300/515

Rated operational voltage,  $U_e$ , 208-500 V

Motor power			IEC Max rated operational current $I_e$ A	Type <sup>*)</sup>	Order code <sup>**)</sup>	Weight kg 1 piece
400 V P kW	500 V P kW	690 V P kW				
15	18.5	-	30	PSS18/30-500□■	1SFA892001R∇00▼	2.30
25	30	-	52	PSS30/52-500□■	1SFA892002R∇00▼	2.30
30	37	-	64	PSS37/64-500□■	1SFA892003R∇00▼	2.30
37	45	-	76	PSS44/76-500□■	1SFA892004R∇00▼	2.30
45	55	-	85	PSS50/85-500□■	1SFA892005R∇00▼	3.60
55	75	-	105	PSS60/105-500□■	1SFA892006R∇00▼	3.80
59	80	-	124	PSS72/124-500□■	1SFA892007R∇00▼	3.80
75	90	-	147	PSS85/147-500□■	1SFA892008R∇00▼	8.60
90	110	-	181	PSS105/181-500□■	1SFA892009R∇00▼	10.40
132	160	-	245	PSS142/245-500□■	1SFA892010R∇00▼	10.40
160	200	-	300	PSS175/300-500□■	1SFA892011R∇00▼	20.50
220	295	-	430	PSS250/430-500□■	1SFA892013R∇00▼	22.00
257	355	-	515	PSS300/515-500□■	1SFA892014R∇00▼	22.00



PSS18/30-500 ... 44/76-500



PSS50/85-500 ... 72/124-500  
PSS18/30-690 ... 72/124-690



PSS85/147-500 ... 142/245-500  
PSS85/147-690 ... 142/245-690



PSS175/300-500 ... 300/515-500  
PSS175/300-690 ... 300/515-690

Rated operational voltage,  $U_e$ , 400-690 V

15	18.5	25	30	PSS18/30-690□■	1SFA893001R∇00▼	2.30
25	30	45	52	PSS30/52-690□■	1SFA893002R∇00▼	2.30
30	37	55	64	PSS37/64-690□■	1SFA893003R∇00▼	2.30
37	45	59	76	PSS44/76-690□■	1SFA893004R∇00▼	2.30
45	55	75	85	PSS50/85-690□■	1SFA893005R∇00▼	3.60
55	75	90	105	PSS60/105-690□■	1SFA893006R∇00▼	3.80
59	80	110	124	PSS72/124-690□■	1SFA893007R∇00▼	3.80
75	90	132	147	PSS85/147-690□■	1SFA893008R∇00▼	8.60
90	110	160	181	PSS105/181-690□■	1SFA893009R∇00▼	10.40
132	160	220	245	PSS142/245-690□■	1SFA893010R∇00▼	10.40
160	200	257	300	PSS175/300-690□■	1SFA893011R∇00▼	20.50
220	295	400	430	PSS250/430-690□■	1SFA893013R∇00▼	22.00
257	355	500	515	PSS300/515-690□■	1SFA893014R∇00▼	22.00

<sup>\*)</sup> Add code letter in type for:  
Rated control supply voltage,  $U_c$   
□ F = 110-120 V, 50/60 Hz  
L = 220-240 V, 50/60 Hz  
Fault signal relay  
■ no code letter = NO  
C = NC

<sup>\*\*)</sup> Add code number in order code for:  
Fault signal relay  
∇ 1 = NO  
2 = NC  
Rated control supply voltage,  $U_c$   
▼ 1 = 110-120 V, 50/60 Hz  
2 = 220-240 V, 50/60 Hz

# PSS – The flexible range

## Heavy-duty starts, class 30, in-line, ordering details



# PSS – The flexible range

## Heavy-duty starts, class 30, inside delta, ordering details



### PSS18/30 ... PSS300/515

#### Rated operational voltage $U_n$ , 208-500 V

Motor power				IEC Max rated operational current $I_n$ A	Type <sup>*)</sup>	Order code <sup>**)</sup>	Weight kg 1 piece
400 V P kW	500 V P kW	690 V P kW					
5.5	7.5	-	13	PSS18/30-500	1SFA892001R	2.30	
7.5	11	-	18	PSS30/52-500	1SFA892002R	2.30	
15	18.5	-	30	PSS37/64-500	1SFA892003R	2.30	
18.5	22	-	37	PSS44/76-500	1SFA892004R	2.30	
22	25	-	44	PSS50/85-500	1SFA892005R	3.60	
25	30	-	50	PSS60/105-500	1SFA892006R	3.80	
30	37	-	60	PSS72/124-500	1SFA892007R	3.80	
37	45	-	72	PSS85/147-500	1SFA892008R	8.60	
45	55	-	85	PSS105/181-500	1SFA892009R	10.40	
55	75	-	105	PSS142/245-500	1SFA892010R	10.40	
75	90	-	142	PSS175/300-500	1SFA892011R	20.50	
90	110	-	175	PSS250/430-500	1SFA892013R	22.00	
132	160	-	250	PSS300/515-500	1SFA892014R	22.00	



PSS18/30-500 ... 44/76-500



PSS50/85-500 ... 72/124-500  
PSS18/30-690 ... 72/124-690



PSS85/147-500 ... 142/245-500  
PSS85/147-690 ... 142/245-690



PSS175/300-500 ... 300/515-500  
PSS175/300-690 ... 300/515-690

#### Rated operational voltage $U_n$ , 400-690 V

5.5	7.5	11	13	PSS18/30-690	1SFA893001R	2.30
7.5	11	15	18	PSS30/52-690	1SFA893002R	2.30
15	18.5	25	30	PSS37/64-690	1SFA893003R	2.30
18.5	22	30	37	PSS44/76-690	1SFA893004R	2.30
22	25	37	44	PSS50/85-690	1SFA893005R	3.60
25	30	45	50	PSS60/105-690	1SFA893006R	3.80
30	37	55	60	PSS72/124-690	1SFA893007R	3.80
37	45	59	72	PSS85/147-690	1SFA893008R	8.60
45	55	75	85	PSS105/181-690	1SFA893009R	10.40
55	75	90	105	PSS142/245-690	1SFA893010R	10.40
75	90	132	142	PSS175/300-690	1SFA893011R	20.50
90	110	160	175	PSS250/430-690	1SFA893013R	22.00
132	160	220	250	PSS300/515-690	1SFA893014R	22.00

<sup>\*)</sup> Add code letter in type for:  
Rated control supply voltage,  $U_c$   
□ F = 110-120 V, 50/60 Hz  
L = 220-240 V, 50/60 Hz  
Fault signal relay  
■ no code letter = NO  
C = NC

<sup>\*\*)</sup> Add code number in order code for:  
Fault signal relay  
▽ 1 = NO  
2 = NC  
Rated control supply voltage,  $U_c$   
▽ 1 = 110-120 V, 50/60 Hz  
2 = 220-240 V, 50/60 Hz

### PSS18/30 ... PSS300/515

#### Rated operational voltage $U_n$ , 208-500 V

Motor power				IEC Max rated operational current $I_n$ A	Type <sup>*)</sup>	Order code <sup>**)</sup>	Weight kg 1 piece
400 V P kW	500 V P kW	690 V P kW					
11	15	-	22	PSS18/30-500	1SFA892001R	2.30	
15	18.5	-	30	PSS30/52-500	1SFA892002R	2.30	
25	30	-	52	PSS37/64-500	1SFA892003R	2.30	
30	37	-	64	PSS44/76-500	1SFA892004R	2.30	
37	45	-	76	PSS50/85-500	1SFA892005R	3.60	
45	55	-	85	PSS60/105-500	1SFA892006R	3.80	
55	75	-	105	PSS72/124-500	1SFA892007R	3.80	
59	80	-	124	PSS85/147-500	1SFA892008R	8.60	
75	90	-	147	PSS105/181-500	1SFA892009R	10.40	
90	110	-	181	PSS142/245-500	1SFA892010R	10.40	
132	160	-	245	PSS175/300-500	1SFA892011R	20.50	
160	200	-	300	PSS250/430-500	1SFA892013R	22.00	
220	295	-	430	PSS300/515-500	1SFA892014R	22.00	



PSS18/30-500 ... 44/76-500



PSS50/85-500 ... 72/124-500  
PSS18/30-690 ... 72/124-690



PSS85/147-500 ... 142/245-500  
PSS85/147-690 ... 142/245-690



PSS175/300-500 ... 300/515-500  
PSS175/300-690 ... 300/515-690

#### Rated operational voltage $U_n$ , 400-690 V

11	15	18.5	22	PSS18/30-690	1SFA893001R	2.30
15	18.5	25	30	PSS30/52-690	1SFA893002R	2.30
25	30	45	52	PSS37/64-690	1SFA893003R	2.30
30	37	55	64	PSS44/76-690	1SFA893004R	2.30
37	45	59	76	PSS50/85-690	1SFA893005R	3.60
45	55	75	85	PSS60/105-690	1SFA893006R	3.80
55	75	90	105	PSS72/124-690	1SFA893007R	3.80
59	80	110	124	PSS85/147-690	1SFA893008R	8.60
75	90	132	147	PSS105/181-690	1SFA893009R	10.40
90	110	160	181	PSS142/245-690	1SFA893010R	10.40
132	160	220	245	PSS175/300-690	1SFA893011R	20.50
160	200	257	300	PSS250/430-690	1SFA893013R	22.00
220	295	400	430	PSS300/515-690	1SFA893014R	22.00

<sup>\*)</sup> Add code letter in type for:  
Rated control supply voltage,  $U_c$   
□ F = 110-120 V, 50/60 Hz  
L = 220-240 V, 50/60 Hz  
Fault signal relay  
■ no code letter = NO  
C = NC

<sup>\*\*)</sup> Add code number in order code for:  
Fault signal relay  
▽ 1 = NO  
2 = NC  
Rated control supply voltage,  $U_c$   
▽ 1 = 110-120 V, 50/60 Hz  
2 = 220-240 V, 50/60 Hz

# PSS – The flexible range

## Accessories

### Current transformer for current limit function

To be connected to terminals 11 and 12 on the softstarter.

The setting range (1.5 – 4) corresponds to a multiple of the transformer ratio.

Technical data below shows transformer ratio and number of turns for the primary winding.

You can also use your own current transformer with corresponding transformer ratio and with minimum 1 VA.

For softstarter type	Transformer ratio, Number of turns	Type	Order code	Pack <sup>ing</sup> piece	Weight kg 1 piece
PSS18/30	30/1-1 turn	PSCT-30	1SFA899001R1030	1	0.200
PSS30/52	40/1-1 turn	PSCT-40	1SFA899001R1040	1	0.200
PSS37/64	50/1-1 turn	PSCT-50	1SFA899001R1050	1	0.200
PSS44/76	60/1-1 turn	PSCT-60	1SFA899001R1060	1	0.200
PSS50/85	75/1-1 turn	PSCT-75	1SFA899001R1075	1	0.200
PSS60/105	75/1-1 turn	PSCT-75	1SFA899001R1075	1	0.200
PSS72/124	100/1-1 turn	PSCT-100	1SFA899001R1100	1	0.150
PSS85/147	125/1-1 turn	PSCT-125	1SFA899001R1125	1	0.150
PSS105/181	150/1-1 turn	PSCT-150	1SFA899001R1150	1	0.150
PSS142/245	200/1-1 turn	PSCT-200	1SFA899001R1200	1	0.230
PSS175/300	250/1-1 turn	PSCT-250	1SFA899001R1250	1	0.230
PSS250/430	400/1-1 turn	PSCT-400	1SFA899001R1400	1	0.200
PSS300/515	400/1-1 turn	PSCT-400	1SFA899001R1400	1	0.200

### Cable connectors for Cu cables

For softstarter type	Wire range mm <sup>2</sup>	Tightening torque max. Nm	Type	Order code	Pack <sup>ing</sup> piece	Weight kg 1 piece
PSS85/147 ... 142/245	6-120	14	-	1SDA066917R1	3	0.113
PSS85/147 ... 142/245	2 x (50-120)	16	LZ185-2C/120	1SFN074709R1000	3	0.100
PSS175/300 ... 300/515	16-300	25	-	1SDA055016R1	3	0.133

### Cable connectors for Al and Cu cables

For softstarter type	Wire range mm <sup>2</sup>	Tightening torque max. Nm	Type	Order code	Pack <sup>ing</sup> piece	Weight kg 1 piece
PSS85/147 ... 142/245	95-185	31	-	1SDA054988R1	3	0.078
PSS175/300 ... 300/515	185-240	43	-	1SDA055020R1	3	0.133

### Terminal enlargements

For softstarter type	Wire range mm <sup>2</sup>	Type	Order code	Pack <sup>ing</sup> piece	Weight kg 1 piece
PSS18/30-500 ... 44/76-500	1x6 ... 35 2x6 ... 16	PSLW-44	1SFA899002R1044	1	0.100
PSS50/85-500 ... 72/124-500	1x10 ... 50	PSLW-72	1SFA899002R1072	1	0.150
PSS18/30-690 ... 72/124-690	2x10 ... 25				

For softstarter type	Dimensions hole ø mm <sup>2</sup>	bar mm	Type	Order code	Pack <sup>ing</sup> piece	Weight kg 1 piece
PSS85/147 ... 142/245	10.5	17.5 x 5	LW185	1SFN074707R1000	1	0.250
PSS175/300 ... 300/515	10.5	20 x 5	LW300	1SFN075107R1000	1	0.450

### Terminal nut washer

For softstarter type	Req. qty	Type	Order code	Pack <sup>ing</sup> piece	Weight kg 1 piece
PSS85/147 ... 142/245	2	LE185	1SFN074716R1000	2	0.200
PSS175/300 ... 300/515	2	LE300	1SFN075116R1000	2	0.300

### Terminal shrouds

For softstarter type	Suitable for	Req. qty	Type	Order code	Pack <sup>ing</sup> piece	Weight kg 1 piece
PSS85/147 ... 142/245	Cable connectors	2	LT185-AC	1SFN124701R1000	2	0.050
PSS85/147 ... 142/245	Compression lugs	2	LT185-AL	1SFN124703R1000	2	0.220
PSS175/300 ... 300/515	Cable connectors	2	LT300-AC	1SFN125101R1000	2	0.070
PSS175/300 ... 300/515	Compression lugs	2	LT300-AL	1SFN125103R1000	2	0.280

# PSS – The flexible range

## Technical data

Rated insulation voltage U <sub>i</sub>	690 V		
Rated operational voltage U <sub>e</sub>	208 ... 500 V AC, 400 ... 690 V AC + 10%/-15%, 50/60 Hz ±5%		
Rated control supply voltage U <sub>c</sub>	110 ... 120 V or 220 ... 240 V +10%/-15%, 50/60 Hz ±5%		
Rated control circuit voltage U <sub>c</sub>	Internal 24 V DC		
Starting capacity at I <sub>e</sub>	4 x I <sub>e</sub> for 10 sec.		
Number of starts per hour	30 <sup>1)</sup>		
Overload capability	overload class 10		
Service factor	PSS18/30 ... 250/430	PSS300/515	115%
Ambient temperature	during operation -25 °C to +60 °C <sup>2)</sup>		
	during storage -40 °C to +70 °C		
Maximum altitude	4000 m <sup>3)</sup>		
Degree of protection	PSS18/30-500 ... 44/76-500	PSS50/85-500 ... 72/124-500	PSS85/147-500 ... 300/515-500
main circuit	IP20	IP10	IP00
	PSS18/30-690 ... 72/124-690		PSS85/147-690 ... 300/515-690
	IP10		IP00
supply and control circuit	PSS18/30 ... PSS300/515		
	IP20		
Signal relays	by-pass signal Yes		
	fault signal Yes (NO or NC)		
	rated operational voltage, U <sub>e</sub> 250 V AC/24 V DC		
	rated thermal current I <sub>t</sub> 5A		
	rated operational current I <sub>e</sub> at AC-15 (U <sub>e</sub> =250 V) 1.5 A		
Signaling indication LED	ready to start/On green		
	completed start ramp/T.O.R green		
	general fault red		
	external fault red		
Settings	ramp time during start 1-30 sec		
	ramp time during stop 0-30 sec		
	initial voltage during start 30-70%		
	current limit function x CT-ratio 1.5 ... 4 <sup>4)</sup>		
	switch for in-line/inside delta Yes		

<sup>1)</sup> Valid for 50% on time and 50% off time. If other data is required, contact your sales office.

<sup>2)</sup> Above 40 °C up to max. 60 °C reduce the rated current with 0.8% per °C.

<sup>3)</sup> When used at high altitudes above 1000 meters up to 4000 meters you need to derate the rated current using the following formula.

$$[\% \text{ of } I_e = 100 - \frac{x - 1000}{150}] \quad x = \text{actual altitude for the softstarter}$$

<sup>4)</sup> Only if current transformer is connected (accessory).

# PSS – The flexible range

## Technical data

### Cross section of connection cables

		Type of softstarter PSS18/30-500 ... PSS44/76-500		PSS50/85-500 ... PSS72/124-500, PSS18/30-690 ... PSS72/124-690	PSS85/147 ... PSS142/245	PSS175/300 ... PSS300/515
<b>Main circuit</b>						
Connection clamp						
Solid/stranded	1 x mm <sup>2</sup>	2.5–16	6–50			See accessories
Solid/stranded	2 x mm <sup>2</sup>	2.5–16	6–25			See accessories
Tightening torque (recommended)	Nm	2.6	4.5			See accessories
<b>Connection bar</b>						
Width and thickness	mm	–	–			
Hole diameter	mm	–	–	18	28	
Tightening torque (recommended)	Nm	–	–			
<b>Supply and control circuit</b>						
Connection clamp						
Solid/stranded	1 x mm <sup>2</sup>	2.5	2.5	2.5	2.5	
Solid/stranded	2 x mm <sup>2</sup>	–	–	–	–	
Tightening torque (recommended)	Nm	0.5	0.5	0.5	0.5	

### Fuse ratings and power losses

For softstarter	Recommended ABB's overload protection		Max power loss at rated I <sub>e</sub>		Max fuse rating - main circuit <sup>1) 3)</sup>			Power requirements of supply VA
	Type	Current range A	without by-pass <sup>2)</sup> W	with external by-pass W	Bussmann fuses, DIN43 620 (knife)			
					A	Type	size	
PSS18/30	TF42DU	7.6-18	65	13.5	50	170M1564	000	9
PSS30/52	TF42DU	7.6-30	100	14.6	80	170M1566	000	9
PSS37/64	TF42DU	7.6-37	120	17.5	125	170M1568	000	9
PSS44/76	TA75DU	18-44	142	17.5	160	170M1569	000	9
PSS50/85	TA75DU	18-50	160	20.5	160	170M1569	000	10
PSS60/105	TA75DU	18-60	190	22	200	170M1570	000	10
PSS72/124	TA75DU	18-72	226	30.5	250	170M1571	000	10
PSS85/147	TA110DU	65-85	291	56.5	315	170M1572	000	36
PSS105/181	TA110DU	65-105	351	61	400	170M3819	1*	36
PSS142/245	TA200DU	66-142	462	63	450	170M5809	2	36
PSS175/300	TA200DU	66-175	590	117	500	170M5810	2	65
PSS250/430	TA450DU	130-250	815	117	700	170M5813	2	65
PSS300/515	TA450DU	130-300	965	140	900	170M6813	3	65

<sup>1)</sup> For the supply circuit 6 A delayed, for MCB use C characteristics.

<sup>2)</sup> Calculated power loss at operational current (I<sub>op</sub>) without by-pass.

P<sub>tot</sub> = 3 x I<sub>op</sub> + VA value  
Example: PSS 60/105 running at 52 A  
P<sub>tot</sub> = 3 x 52 + 10 = 166W

<sup>3)</sup> Max fuse rating independent if in-line or inside delta connection. In inside delta connections of PSS, the fuses can be placed outside of the delta.

# PSS – The flexible range

## UL ratings

### 3-phase motor rating – in-line

Softstarters	Motor power P (hp) and full load current FLA (A)				
	max. FLA A	U <sub>e</sub> 200 V/208 V hp	U <sub>e</sub> 220 V/240 V hp	U <sub>e</sub> 440 V/480 V hp	U <sub>e</sub> 550 V/600 V hp
PSS18/30	18	5	5	10	15
PSS30/52	28	7.5	10	20	25
PSS37/64	34	10	10	25	30
PSS44/76	40	10	10	30	30
PSS50/85	47	15	15	30	40
PSS60/105	56	15	20	40	50
PSS72/124	67	20	20	50	60
PSS85/147	85	25	30	60	75
PSS105/181	105	30	40	75	100
PSS142/245	125	40	40	100	125
PSS175/300	156	50	60	125	150
PSS250/430	225	75	75	150	200
PSS300/515	248	75	100	200	250

### 3-phase motor rating – inside delta

Softstarters	Motor power P (hp) and full load current FLA (A)				
	Max. FLA A	U <sub>e</sub> 200 V/208 V hp	U <sub>e</sub> 220 V/240 V hp	U <sub>e</sub> 440 V/480 V hp	U <sub>e</sub> 550 V/600 V hp
PSS18/30	30	7.5	10	20	25
PSS30/52	48	15	15	30	40
PSS37/64	58	20	20	40	50
PSS44/76	69	20	25	50	60
PSS50/85	81	25	30	60	75
PSS60/105	96	30	30	75	75
PSS72/124	116	40	40	75	100
PSS85/147	147	50	50	100	150
PSS105/181	181	60	60	150	150
PSS142/245	215	75	75	150	200
PSS175/300	270	75	100	200	250
PSS250/430	389	125	150	300	400
PSS300/515	429	150	150	350	400

# PSE – The efficient range

## Description



### Product description

- Wide rated operational voltage 208–600 V AC
- Wide rated control supply voltage 100–250 V, 50/60 Hz
- Rated operational current 18 to 370 A
- Wide ambient temperature range, -25 to +60 °C
- Coated circuit boards for reliable operation in harsh environment
- Built-in by-pass on all sizes, saving energy and reducing installation time
- User friendly HMI with illuminated language neutral display and four button keypad
- Optional external keypad, IP66
- Torque control for excellent control of pumps
- Current limit, adjustable between 1.5–7 x I<sub>n</sub>
- Motor overload protection with classes 10A, 10, 20 and 30
- Motor underload protection to detect pumps running dry
- Locked rotor protection, detecting jammed pumps
- Kick start to start jammed pumps or conveyor belts
- Analog output showing operational current, 4–20 mA
- Optional fieldbus communication using Profibus, Modbus, Devicenet or CANopen
- Sophisticated algorithm eliminating the DC-component and thereby providing excellent starting performance

The PSE softstarter range is the world's first compact softstarter range with torque control. This makes the PSE range an ideal choice for pumping applications where water hammering normally is a big problem. The compactness and advanced functionality of the PSE means that it is also a very efficient solution for other applications such as compressors and fans.

### Torque control

The most important function when stopping pumps is torque control. Since the PSE softstarter is optimized for controlling pumps, this feature is a must.

### Built-in by-pass for energy saving

Using by-pass after reaching full voltage will greatly reduce the power loss and thereby save energy. In the PSE softstarter range, the by-pass is built-in on all sizes which will give the most compact starting solution and reduce the need for wiring during installation.

### Coated circuit boards

All circuit boards in the new PSE softstarter have a protective coating to ensure a reliable operation even in tough environments like wastewater plants, where corrosive gases and acids may exist.

### Motor protection

The PSE softstarter is equipped with built-in electronic overload protection, preventing the motor from overheating. Since no additional overload device is needed, our efficient design saves both space, installation time, and ultimately money.

### Analog output

The analog output terminals can be connected to an analog current meter to show the current during operation. This eliminates the need of an additional current transformer. The analog output signal can also be used as an analog input to a PLC.

### Display and keypad

The setup of the PSE softstarter is done using the four button keypad and the illuminated display, providing a quick and easy setup. While operating, the display will also provide important status information such as current and voltage.

### External keypad

As an option the PSE softstarter can be equipped with an external keypad for easy setup and monitoring of the unit without opening the enclosure door. The keypad can also be used to copy parameters between different softstarters.

# PSE – The efficient range

## Description

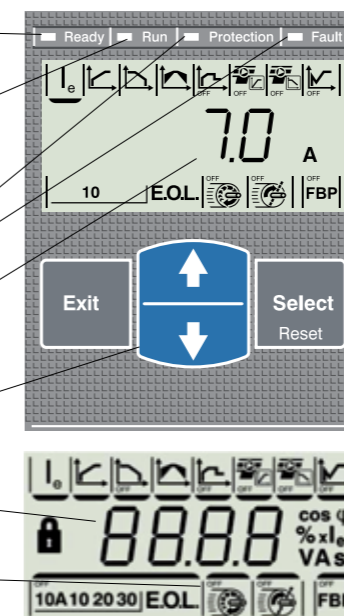
The PSE softstarter can be selected according to the rated motor power in normal duty applications like pumps, compressors, elevators, escalators, short conveyor belts and bow thrusters. See page 30.

For heavy-duty applications like centrifugal fans, crushers, mixers, mills, stirrers and long conveyor belts, select a softstarter from page 31.



### Settings

- Green ready LED  
Flashing - Supply available  
Steady - Main available
- Green run LED  
Flashing - Ramping up/down  
Steady - TOR
- Yellow protection LED
- Red fault LED
- Back-lit display
- User friendly keypad  
Similar as for PST(B)
- Four digits showing values and messages
- Icon's showing functions.  
Language neutral



External keypad with same design as the fixed HMI

# PSE – The efficient range Overview



PSE18 ... PSE105

Normal start In-line connected	Softstarter, type								
	PSE18	PSE25	PSE30	PSE37	PSE45	PSE60	PSE72	PSE85	PSE105
(400 V) kW	7.5	11	15	18.5	22	30	37	45	55
IEC, max. A	18	25	30	37	45	60	72	85	106
(440-480 V) hp	10	15	20	25	30	40	50	60	75
UL, max FLA	18	25	28	34	42	60	68	80	104
Using MCCB only, type 1 coordination will be achieved	400 V, 40 °C								
	MCCB (35 kA), type								
					T2N160			T3N250	
	MCCB (50 kA), type								
				T2S160			T3S250		
To achieve type 2 coordina- tion, semi-conductor fuses must be used	Fuse protection (85 kA), Semiconductor fuses, Bussmann, type								
	170M1563	170M1564	170M1566	170M1567	170M1568	170M1569	170M1571	170M1572	170M3819
Suitable switch fuse for re- commended semi-conductor fuses	Switch fuse, type								
	OS32GD03P			OS63GD03P			OS125GD03P		OS250D03P
The line contactor is not required for the softstarter itself but often used to open if OL trips	Line contactor, type								
	AF26	AF30	AF38	AF52	AF65	AF80	AF96	AF116	
Overload protection is used to protect the motor from over heating	Electronic overload relay, type								
	Built-in								
The by-pass will reduce the power loss of the softstarter.	By-pass, type								
	Built-in								

The table above is an overview of possible combinations of devices.  
Complete coordination tables are available at [www.abb.com/lowvoltage](http://www.abb.com/lowvoltage)

# PSE – The efficient range Overview



PSE142 ... PSE170



PSE210 ... PSE370

Normal start In-line connected	Softstarter, type					
	PSE142	PSE170	PSE210	PSE250	PSE300	PSE370
(400 V) kW	75	90	110	132	160	200
IEC, max. A	143	171	210	250	300	370
(440-480 V) hp	100	125	150	200	250	300
UL, max FLA	130	169	192	248	302	361
Using MCCB only, type 1 coordination will be achieved	400 V, 40 °C					
	MCCB (35 kA), type					
	T3N250		T4N320		T5N400	
	MCCB (50 kA), type					
T3S250		T4S320		T5S400		
To achieve type 2 coordina- tion, semi-conductor fuses must be used	Fuse protection (85kA), Semiconductor fuses, Bussmann, type					
	170M5809	170M5810	170M5812	170M5813	170M6812	170M6813
Suitable switch fuse for re- commended semi-conductor fuses	Switch fuse, type					
	OS400D03P			OS630D03P		
The line contactor is not required for the softstarter itself but often used to open if OL trips	Line contactor, type					
	AF140	AF190	AF205	AF265	AF305	AF370
Overload protection is used to protect the motor from over heating	Electronic overload relay, type					
	Built-in					
The by-pass will reduce the power loss of the softstarter.	By-pass, type					
	Built-in					

**How to select the correct size**  
By using the guide here, you can quickly  
select a suitable softstarter for the most  
common applications.  
If a more precise selection is required,  
you can use the softstater selection tool  
available at [www.abb.com/lowvoltage](http://www.abb.com/lowvoltage)

Quick guide for selection	
Normal start class 10	Heavy-duty start class 30
Ordering - see page 30	Ordering - see page 31
Typical applications	
<ul style="list-style-type: none"> <li>• Bow thruster</li> <li>• Compressor</li> <li>• Elevator</li> </ul>	<ul style="list-style-type: none"> <li>• Centrifugal pump</li> <li>• Conveyor belt (short)</li> <li>• Escalator</li> </ul>
	<ul style="list-style-type: none"> <li>• Centrifugal fan</li> <li>• Crusher</li> <li>• Mixer</li> <li>• Conveyor belt (long)</li> <li>• Mill</li> <li>• Stirrer</li> </ul>
<p><b>!</b> If more than 10 starts/h Select <u>one</u> size larger than the standard selection</p>	

# PSE – The efficient range

## Normal starts, class 10, in-line, ordering details



# PSE – The efficient range

## Heavy-duty starts, class 30, in-line, ordering details



### PSE18 ... PSE370

Rated operational voltage,  $U_o$ , 208-600 V AC

Rated control supply voltage,  $U_c$ , 100-250 V AC, 50/60 Hz

#### Motor power

230 V P kW	400 V P kW	500 V P kW	IEC Max rated operational current $I_e$ A	Type	Order code	Weight kg 1 piece
4	7.5	11	18	PSE18-600-70	1SFA897101R7000	2.4
5.5	11	15	25	PSE25-600-70	1SFA897102R7000	2.4
7.5	15	18.5	30	PSE30-600-70	1SFA897103R7000	2.4
9	18.5	22	37	PSE37-600-70	1SFA897104R7000	2.4
11	22	30	45	PSE45-600-70	1SFA897105R7000	2.4
15	30	37	60	PSE60-600-70	1SFA897106R7000	2.4
18.5	37	45	72	PSE72-600-70	1SFA897107R7000	2.5
22	45	55	85	PSE85-600-70	1SFA897108R7000	2.5
30	55	75	106	PSE105-600-70	1SFA897109R7000	2.5
40	75	90	143	PSE142-600-70	1SFA897110R7000	4.2
45	90	110	171	PSE170-600-70	1SFA897111R7000	4.2
59	110	132	210	PSE210-600-70	1SFA897112R7000	12.4
75	132	160	250	PSE250-600-70	1SFA897113R7000	13.9
90	160	200	300	PSE300-600-70	1SFA897114R7000	13.9
110	200	250	370	PSE370-600-70	1SFA897115R7000	13.9



PSE18 ... PSE105



PSE142 ... PSE170



PSE210 ... PSE370

### PSE18 ... PSE370

Rated operational voltage,  $U_o$ , 208-600 V AC

Rated control supply voltage,  $U_c$ , 100 - 250 V AC, 50/60 Hz

#### Motor power

230 V P kW	400 V P kW	500 V P kW	IEC Max rated operational current $I_e$ A	Type	Order code	Weight kg 1 piece
3	5.5	7.5	12	PSE18-600-70	1SFA897101R7000	2.4
4	7.5	11	18	PSE25-600-70	1SFA897102R7000	2.4
5.5	11	15	25	PSE30-600-70	1SFA897103R7000	2.4
7.5	15	18.5	30	PSE37-600-70	1SFA897104R7000	2.4
9	18.5	22	37	PSE45-600-70	1SFA897105R7000	2.4
11	22	30	45	PSE60-600-70	1SFA897106R7000	2.4
15	30	37	60	PSE72-600-70	1SFA897107R7000	2.5
18.5	37	45	72	PSE85-600-70	1SFA897108R7000	2.5
22	45	55	85	PSE105-600-70	1SFA897109R7000	2.5
30	55	75	106	PSE142-600-70	1SFA897110R7000	4.2
40	75	90	143	PSE170-600-70	1SFA897111R7000	4.2
45	90	110	171	PSE210-600-70	1SFA897112R7000	12.4
59	110	132	210	PSE250-600-70	1SFA897113R7000	13.9
75	132	160	250	PSE300-600-70	1SFA897114R7000	13.9
90	160	200	300	PSE370-600-70	1SFA897115R7000	13.9



PSE18 ... PSE105



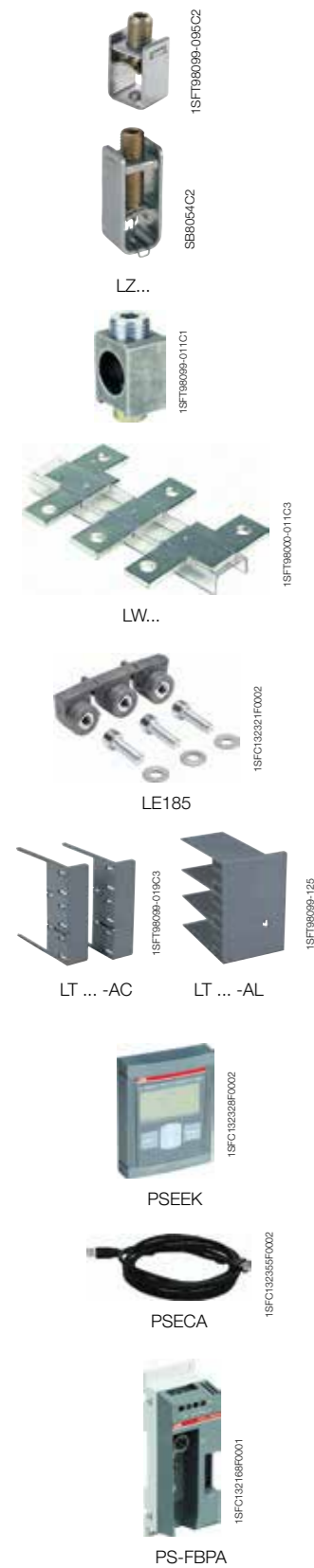
PSE142 ... PSE170



PSE210 ... PSE370



# PSE – The efficient range Accessories



## Cable connectors for Cu cables

For softstarter type	Wire range mm <sup>2</sup>	Tightening torque max. Nm	Type	Order code	Pack <sup>ing</sup> piece	Weight kg 1 piece
PSE142 ... 170	6-120	14	-	1SDA06691R1	3	0.200
PSE142 ... 170	2 x (50-120)	16	LZ185-2C/120	1SFN074709R1000	3	0.100
PSE210 ... 370	16-300	25	-	1SDA055016R1	3	0.133

## Cable connectors for Al and Cu cables

For softstarter type	Wire range mm <sup>2</sup>	Tightening torque max. Nm	Type	Order code	Pack <sup>ing</sup> piece	Weight kg 1 piece
PSE142 ... 170	95-185	31	-	1SDA054988R1	3	0.078
PSE210 ... 370	185-240	43	-	1SDA055020R1	3	0.133

## Terminal enlargements

For softstarter type	Dimensions hole ø mm <sup>2</sup>	bar mm	Type	Order code	Pack <sup>ing</sup> piece	Weight kg 1 piece
PSE18...105	6.5	15 x 3	LW110	1SFN074307R1000	1	0.100
PSE142...170	10.5	17.5 x 5	LW185	1SFN074707R1000	1	0.450
PSE210...370	10.5	20 x 5	LW300	1SFN075107R1000	1	1.230

## Terminal nut washer

For softstarter type	Req. qty	Type	Order code	Pack <sup>ing</sup> piece	Weight kg 1 piece
PSE142...170	2	LE185	1SFN074716R1000	2	0.200
PSE210...370	2	LE300	1SFN075116R1000	2	0.300

## Terminal shrouds

For softstarter type	Suitable for	Req. qty	Type	Order code	Pack <sup>ing</sup> piece	Weight kg 1 piece
PSE142...170	Cable connectors	2	LT185-AC	1SFN124701R1000	2	0.050
PSE142...170	Compression lugs	2	LT185-AL	1SFN124703R1000	2	0.220
PSE210...370	Cable connectors	2	LT300-AC	1SFN125101R1000	2	0.070
PSE210...370	Compression lugs	2	LT300-AL	1SFN125103R1000	2	0.280

## External keypad including a 3m cable

For softstarter type	Type	Order code	Pack <sup>ing</sup> piece	Weight kg 1 piece
PSE18...370	PSEEK	1SFA897100R1001	1	-

## USB-cable for Service Engineer Tool

For softstarter type	Type	Order code	Pack <sup>ing</sup> piece	Weight kg 1 piece
PSE18...370	PSECA	1SFA897201R1001	1	0.130

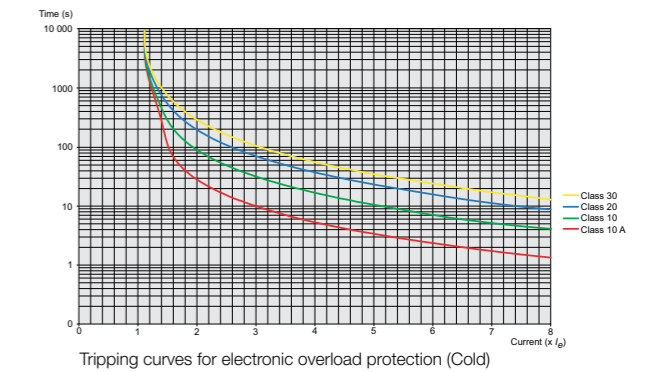
## FieldBusPlug connection accessory

For softstarter type	Type	Order code	Pack <sup>ing</sup> piece	Weight kg 1 piece
The same accessory for all sizes	PS-FBPA	1SFA896312R1002	1	0.060
ABB's FieldBusPlug suitable for all sizes. See page 50-53				

# PSE – The efficient range Technical data

Rated insulation voltage U <sub>i</sub>	600 V
Rated operational voltage U <sub>n</sub>	208 ... 600 V +10%/-15%
Rated control supply voltage U <sub>c</sub>	100 ... 250 V +10%/-15%, 50/60 Hz ±5 %
Rated control circuit voltage U <sub>c</sub>	Internal 24 V DC
Starting capacity at I <sub>s</sub>	4xI <sub>n</sub> for 10 sec.
Number of starts per hour	10 <sup>1)</sup>
Overload capability, Overload class	10
Ambient temperature	
During operation	-25 ... +60 °C <sup>2)</sup>
During storage	-40 ... +70 °C
Maximum Altitude	4000 m <sup>3)</sup>
Degree of protection	
Main circuit	IP00
Supply and control circuit	IP20
Main circuit	
Built-in by-pass	Yes
Cooling system - fan cooled (thermostat controlled)	Yes
HMI for settings	
Display	4 7-segments and icons. Illuminated
Keypad	2 selection keys and 2 navigation keys
Main settings	
Setting current	Size dependent
Ramp time during start	1-30 sec
Ramp time during stop	0-30 sec
Initial/end voltage	30-70%
Current limit	1.5-7xI <sub>n</sub>
Torque control for start	Yes / No
Torque control for stop	Yes / No
Kick start	Off, 30-100%
Signal relays	
Number of signal relays	3
K2	Run signal
K3	TOR (By-pass) signal
K1	Event signal
Rated operational voltage U <sub>n</sub>	250 V AC/24 V DC <sup>4)</sup>
Rated thermal current I <sub>th</sub>	3 A
Rated operational current I <sub>n</sub> at AC-15 (U <sub>n</sub> = 250 V)	1.5 A

Analog output	
Output signal reference	4 ... 20 mA
Type of output signal	I Amp
Scaling	Fixed at 1.2 x I <sub>n</sub>
Control circuit	
Number of inputs	3 (start, stop, reset of faults)
Signal indication LED's	
On / Ready	green flashing / steady
Run / TOR	green flashing / steady
Protection	yellow
Fault	red
Protections	
Electronic overload	Yes (Class 10A, 10, 20, 30)
Locked rotor protection	Yes
Underload protection	Yes
Field bus connection	
Connection for ABB FieldBusPlug	Yes (option)
External keypad	
Display LCD type	
Ambient temperature	
during operation	-25 ... +60 °C
during storage	-40 ... +70 °C
Degree of protection	IP66



<sup>1)</sup> Valid for 50% on time and 50% off time. If other data is required, please contact your sales office

<sup>2)</sup> Above 40 °C up to max. 60 °C reduce the rated current with 0.6% per °C.

<sup>3)</sup> When used at high altitudes above 1000 meters up to 4000 meters you need to derate the rated current using the following formula.

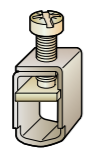
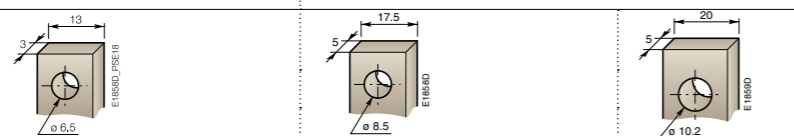
$$[\% \text{ of } I_n = 100 - \frac{x - 1000}{150}] \times x = \text{actual altitude for the softstarter}$$

<sup>4)</sup> A common voltage needs to be used for all 3 signal relays

# PSE – The efficient range

## Technical data

### Cross section of connection cables

		Type of softstarter PSE18 ... PSE105		PSE142 ... PSE170	PSE210 ... PSE370
<b>Main circuit</b>					
Connection clamp 					
Solid/stranded	1 x mm <sup>2</sup>	2.5–70			See accessories
Solid/stranded	2 x mm <sup>2</sup>	2.5–70			See accessories
Tightening torque (recommended)	Nm	9			See accessories
<b>Connection bar</b>					
					
Width and thickness	mm	13		17.5	20
Hole diameter	mm	ø 6.5		ø 8.5	ø 10.2
Tightening torque (recommended)	Nm	9		18	28
<b>Supply and control circuit</b>					
Connection clamp					
Solid/stranded	1 x mm <sup>2</sup>	2.5		2.5	2.5
Solid/stranded	2 x mm <sup>2</sup>	1.5		1.5	1.5
Tightening torque (recommended)	Nm	0.5		0.5	0.5

### Fuse ratings and power losses

For softstarter	Recommended ABB's overload protection		Max power loss at rated I <sub>e</sub> (Internal by-pass)	Max fuse rating - main circuit <sup>1)</sup> Bussmann fuses, DIN43 620 (Knife)			Power requirements supply circuit Holding (VA) / Pull-in (VA)
	Type	Current range A		A	Type	Size	
<b>PSE</b>							
PSE18	Integrated	5.4-18	0.2	40	170M1563	000	16/19.9
PSE25	Integrated	7.5-25	0.4	50	170M1564	000	16/19.9
PSE30	Integrated	9-30	0.5	80	170M1566	000	16/19.9
PSE37	Integrated	11.1-37	0.8	100	170M1567	000	16/19.9
PSE45	Integrated	13.5-45	1.2	125	170M1568	000	16/19.9
PSE60	Integrated	18-60	2.2	160	170M1569	000	16/19.9
PSE72	Integrated	21.6-72	3.1	250	170M1571	000	16/19.9
PSE85	Integrated	25.5-85	4.3	315	170M1572	000	16/19.9
PSE105	Integrated	31.8-106	6.6	400	170M3819	1*	16/19.9
PSE142	Integrated	42.9-143	12.1	450	170M5809	2	16/31
PSE170	Integrated	51.3-171	17.6	500	170M5810	2	16/31
PSE210	Integrated	63-210	8.8	630	170M5812	2	30/700
PSE250	Integrated	75-250	12.5	700	170M5813	2	30/700
PSE300	Integrated	90.6-302	18	800	170M6812	3	30/700
PSE370	Integrated	111-370	27.4	900	170M6813	3	30/700

<sup>1)</sup>For the supply circuit 6 A delayed, for MCB use C characteristics.

# PSE – The efficient range

## UL ratings

### 3-phase motor rating – in-line

Softstarters	Motor power P (hp) and full load current FLA (A)				
	Max FLA A	U <sub>e</sub> 200 V/208 V hp	U <sub>e</sub> 220 V/240 V hp	U <sub>e</sub> 440 V/480 V hp	U <sub>e</sub> 550 V/600 V hp
<b>PSE18</b>	18	5	5	10	15
<b>PSE25</b>	25	7.5	7.5	15	20
<b>PSE30</b>	28	7.5	10	20	25
<b>PSE37</b>	34	10	10	25	30
<b>PSE45</b>	42	10	15	30	40
<b>PSE60</b>	60	20	20	40	50
<b>PSE72</b>	68	20	25	50	60
<b>PSE85</b>	80	25	30	60	75
<b>PSE105</b>	104	30	40	75	100
<b>PSE142</b>	130	40	50	100	125
<b>PSE170</b>	169	60	60	125	150
<b>PSE210</b>	192	60	75	150	200
<b>PSE250</b>	248	75	100	200	250
<b>PSE300</b>	302	100	100	250	300
<b>PSE370</b>	361	125	150	300	350



# PST(B) – The advanced range

## Description



### Description

- Wide rated operational voltage 208–690 V AC
- Wide rated control supply voltage 100–250 V, 50/60 Hz
- Rated operational current 30 to 1050 A (Up to 1810 A inside delta)
- Both in line and inside delta connection
- Coated circuit boards available, for reliable operation even in harsh environments
- Full text display in 14 languages and 4 button keypad for easy setup and operation
- Optional external keypad, IP66
- Built-in by-pass contactor on PSTB (from 370 A) for energy saving and easy installation
- Prepared for external by-pass on PST (30–300 A)
- Torque control for excellent control of pumps
- Current limit, adjustable between  $1.5\text{--}7 \times I_n$
- Fieldbus communication using Profibus, Modbus, Devicenet or CANopen
- Dual motor overload protection with classes 10A, 10, 20 and 30
- Adaptable motor underload protection to detect pumps running dry
- Adaptable locked rotor protection to detect jammed pumps
- PTC protection to protect the motor from overheating
- Adjustable kick start to start jammed pumps
- Programmable output signal relays
- Programmable pre-warning functions
- Event log with time stamp
- Analog output showing current, voltage, power factor etc. 0–10 V, 0–20 mA, 4–20 mA

The PST(B) softstarter is the most advanced softstarter in the ABB product portfolio. It is equipped with almost all imaginable features making it the ideal choice for most applications.

### Torque control

ABB's torque control function is developed together with pump manufacturers to ensure the best possible pump stop, eliminating problems with water hammering and pressure surges.

### By-pass for energy saving

By-passing the softstarter after reaching full voltage saves energy and reduces heat generation. The PST softstarters are equipped with extra terminals making the connection of an external by-pass contactor easier and allow all protection features to be active during by-pass. The PST(B) comes with ABB's AF contactor already built-in, ensuring a compact starting solution requiring minimal wiring.

### Advanced protections

The PST(B) softstarters are equipped with almost all protections imaginable for protecting the motor, the softstarter and the application. To offer more flexibility, all protections can be tailored to your specific needs.

### Flexible analog output

The analog output terminals can be connected to an analog current meter to show the current during operation. This eliminates the need of an additional current transformer. The analog output signal can also be used as an analog input to a PLC.

### Fieldbus communication

ABB's FieldBusPlug supports most common fieldbus protocols. Using a PLC simplifies setup of the softstarter and gives status information in real-time as well as control of the softstarter.

### Display and keypad

The PST(B) softstarter is equipped with a full text display showing all information in clear text in your own language. To make it even easier to setup, there are standard settings for many common applications, such as centrifugal pump. Selecting this will automatically provide all required settings including torque control when stopping.

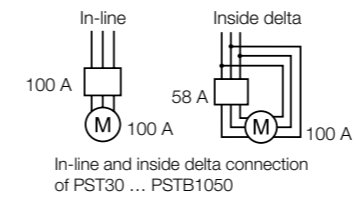
### External keypad

As an option, the PST(B) softstarter can be equipped with an external keypad for easy setup and monitoring of the unit without opening the enclosure door. The keypad can also be used to copy parameters between different softstarters.

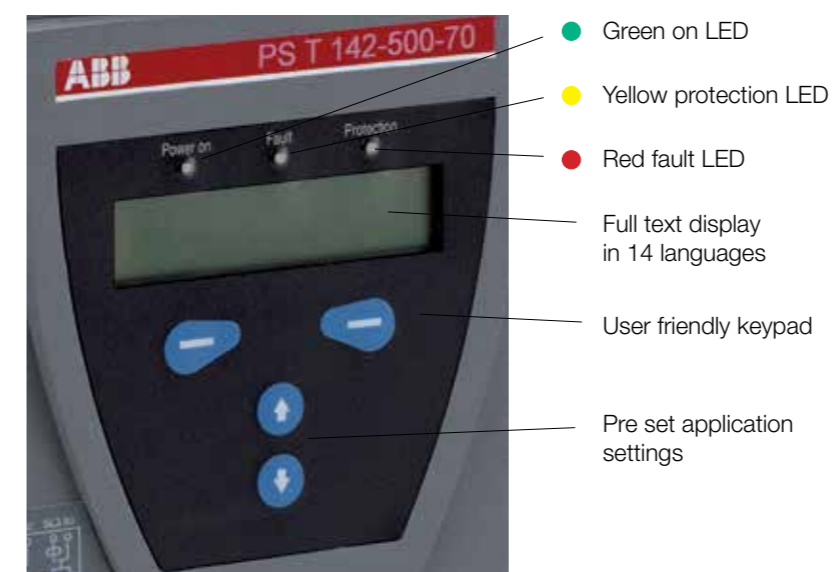
# PST(B) – The advanced range

## Description

The PST softstarter can be selected according to the rated motor power in normal duty applications like pumps, compressors, elevators, escalators, short conveyor belts and bow thrusters. See page 40–41. For heavy-duty applications like centrifugal fans, crushers, mixers, mills, stirrers and long conveyor belts, select a softstarter from page 42–43.



### Settings



External keypad with same design as the fixed HMI

# PST(B) – The advanced range Overview



PST30 ... PST72

PST85 ... PST142

Normal start  
In-line connected

(400 V) kW  
IEC, max. A  
(440-480 V) hp  
UL, max FLA

Softstarter, type									
PST30	PST37	PST44	PST50	PST60	PST72	PST85	PST105	PST142	
15	18.5	22	25	30	37	45	55	75	
30	37	44	50	60	72	85	105	142	
20	25	30	40	40	50	60	75	100	
28	34	42	54	60	68	80	104	130	

400 V, 40 °C

MCCB (50 kA), type

Using MCCB only, type 1 coordination will be achieved.

T2S160					T3S250				
--------	--	--	--	--	--------	--	--	--	--

To achieve a type 2 coordination, semi-conductor fuses must be used.

Fuse protection (65 kA), Semiconductor fuses, Bussmann, type									
170M1566	170M1568	170M1569		170M1570	170M1571	170M1572	170M3819	170M5809	

Suitable switch fuse for recommended semi-conductor fuses.

Switch fuse, type									
OS32GD03P	OS63GD03P			OS125GD03P		OS250D03P	OS400D03P		

The line contactor is not required for the softstarter itself but often used to open if OL trips

Line contactor, type									
AF30	AF38	AF52	AF65		AF80	AF96	AF116	AF140	

Overload protection is used to protect the motor from over heating

Electronic overload relay									
Built-in									

The by-pass contactor will reduce the power loss of the softstarter. All softstarters can be operated without by-pass

By-pass contactor, type									
AF16	AF26		AF30	AF40	AF52		AF65	AF116	

The table above is an overview of possible combinations of devices. Complete coordination tables are available at [www.abb.com/lowvoltage](http://www.abb.com/lowvoltage)

# PST(B) – The advanced range Overview



PST175 ... PST300

PSTB370 ... PSTB470

PSTB570 ... PSTB1050

Normal start  
In-line connected

(400 V) kW  
IEC, max. A  
(440-480 V) hp  
UL, max FLA

Softstarter, type									
PST175	PST210	PST250	PST300	PSTB370	PSTB470	PSTB570	PSTB720	PSTB840	PSTB1050
90	110	132	160	200	250	315	400	450	560
175	210	250	300	370	470	570	720	840	1050
125	150	200	250	300	400	500	600	700	900
156	192	248	302	361	480	590	720	840	1062

400 V, 40 °C

MCCB (50 kA), type

Using MCCB only, type 1 coordination will be achieved.

T4S250		T5S400		T5S630		T6S630	T6S800	T7S1250	T7S1600
--------	--	--------	--	--------	--	--------	--------	---------	---------

To achieve a type 2 coordination, semi-conductor fuses must be used.

Fuse protection (65 kA), Semiconductor fuses, Bussmann, type									
170M5810	170M5812	170M5813	170M6813	170M5813	170M6813		170M8554	170M6018	170M6020 <sup>2)</sup>

Suitable switch fuse for recommended semi-conductor fuses.

Switch fuse, type									
OS400D03P		OS630D03P		OS400D03P	OS630D03P	OS800D03P	1)		

The line contactor is not required for the softstarter itself but often used to open if OL trips

Line contactor, type									
AF190	AF205	AF265	AF305	AF370	AF460	AF580	AF750	AF1350	AF1650

Overload protection is used to protect the motor from over heating

Electronic overload relay, type									
Built-in									

The by-pass contactor will reduce the power loss of the softstarter. All softstarters can be operated without by-pass

By-pass contactor, type									
AF140	AF190		AF205		Built-in				

1) Switch fuse not available. Use Bussmann fuse base 170H3004  
2) PSTB1050-690-70 has 170M6019

### How to select correct size

By using the guide here, you can quickly select a suitable softstarter for the most common applications. If a more precise selection is required, you can use the softstarter selection tool available at [www.abb.com/lowvoltage](http://www.abb.com/lowvoltage)

### Quick guide for selection

Normal start class 10	Heavy-duty start class 30
Ordering - see page 40-41	Ordering - see page 42-43
<b>Typical applications</b>	
<ul style="list-style-type: none"> <li>• Bow thruster</li> <li>• Compressor</li> <li>• Elevator</li> </ul>	<ul style="list-style-type: none"> <li>• Centrifugal pump</li> <li>• Conveyor belt (short)</li> <li>• Escalator</li> <li>• Centrifugal fan</li> <li>• Crusher</li> <li>• Mixer</li> <li>• Conveyor belt (long)</li> <li>• Mill</li> <li>• Stirrer</li> </ul>
<p><b>!</b> If more than 10 starts/h Select <b>one</b> size larger than the standard selection</p>	

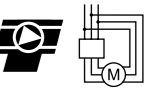
# PST(B) – The advanced range

## Normal starts, class 10, in-line, ordering details



# PST(B) – The advanced range

## Normal starts, class 10, inside delta, ordering details



### PST30 ... PSTB1050

Rated operational voltage  $U_n$ , 208-600 V

Rated control supply voltage  $U_c$ , 100-250 V AC, 50/60 Hz

Motor power

400 V P kW	500 V P kW	690 V P kW	IEC Max rated operational current $I_n$ A	Type*)	Order code**)	Weight kg 1 piece
15	18.5	-	30	PST30-600-70□	1SFA894002R70∇0	4.80
18.5	22	-	37	PST37-600-70□	1SFA894003R70∇0	4.80
22	25	-	44	PST44-600-70□	1SFA894004R70∇0	4.80
25	30	-	50	PST50-600-70□	1SFA894005R70∇0	4.80
30	37	-	60	PST60-600-70□	1SFA894006R70∇0	5.00
37	45	-	72	PST72-600-70□	1SFA894007R70∇0	5.00
45	55	-	85	PST85-600-70□	1SFA894008R70∇0	11.20
55	75	-	105	PST105-600-70□	1SFA894009R70∇0	13.00
75	90	-	142	PST142-600-70□	1SFA894010R70∇0	13.00
90	110	-	175	PST175-600-70□	1SFA894011R70∇0	21.50
110	132	-	210	PST210-600-70□	1SFA894012R70∇0	21.50
132	160	-	250	PST250-600-70□	1SFA894013R70∇0	23.00
160	200	-	300	PST300-600-70□	1SFA894014R70∇0	23.00
200	257	-	370	PSTB370-600-70□	1SFA894015R70∇0	31.00
250	315	-	470	PSTB470-600-70□	1SFA894016R70∇0	31.00
315	400	-	570	PSTB570-600-70□	1SFA894017R70∇0	52.00
400	500	-	720	PSTB720-600-70□	1SFA894018R70∇0	55.00
450	600	-	840	PSTB840-600-70□	1SFA894019R70∇0	60.00
560	730	-	1050	PSTB1050-600-70□	1SFA894020R70∇0	60.00

### PST30 ... PSTB1050

Rated operational voltage  $U_n$ , 400-690 V

Rated control supply voltage  $U_c$ , 100-250 V AC, 50/60 Hz

15	18.5	25	30	PST30-690-70□	1SFA895002R70∇0	4.80
18.5	22	30	37	PST37-690-70□	1SFA895003R70∇0	4.80
22	25	37	44	PST44-690-70□	1SFA895004R70∇0	4.80
25	30	45	50	PST50-690-70□	1SFA895005R70∇0	4.80
30	37	55	60	PST60-690-70□	1SFA895006R70∇0	5.00
37	45	59	72	PST72-690-70□	1SFA895007R70∇0	5.00
45	55	75	85	PST85-690-70□	1SFA895008R70∇0	11.20
55	75	90	105	PST105-690-70□	1SFA895009R70∇0	13.00
75	90	132	142	PST142-690-70□	1SFA895010R70∇0	13.00
90	110	160	175	PST175-690-70□	1SFA895011R70∇0	21.50
110	132	184	210	PST210-690-70□	1SFA895012R70∇0	21.50
132	160	220	250	PST250-690-70□	1SFA895013R70∇0	23.00
160	200	257	300	PST300-690-70□	1SFA895014R70∇0	23.00
200	257	355	370	PSTB370-690-70□	1SFA895015R70∇0	31.00
250	315	450	470	PSTB470-690-70□	1SFA895016R70∇0	31.00
315	400	560	570	PSTB570-690-70□	1SFA895017R70∇0	52.00
400	500	710	720	PSTB720-690-70□	1SFA895018R70∇0	55.00
450	600	800	840	PSTB840-690-70□	1SFA895019R70∇0	60.00
560	730	1000	1050	PSTB1050-690-70□	1SFA895020R70∇0	60.00

\*) Add code letter in type acc. to below:  
□ No code letter = Normal  
T = Coated PCBs

\*\*) Add code number in order code acc. to below:  
∇ 0 = Normal  
2 = Coated PCBs



PST30 ... PST72



PST85 ... PST142



PST175 ... PST300



PSTB370 ... PSTB470



PSTB570 ... PSTB1050



PST30 ... PST72



PST85 ... PST142



PST175 ... PST300



PSTB370 ... PSTB470



PSTB570 ... PSTB1050

### PST30...PSTB1050

Rated operational voltage  $U_n$ , 208-600 V

Rated control supply voltage  $U_c$ , 100-250 V AC, 50/60 Hz

Motor power

400 V P kW	500 V P kW	690 V P kW	IEC Max rated operational current $I_n$ A	Type*)	Order code**)	Weight kg 1 piece
25	30	-	52	PST30-600-70□	1SFA894002R70∇0	4.80
30	37	-	64	PST37-600-70□	1SFA894003R70∇0	4.80
37	45	-	76	PST44-600-70□	1SFA894004R70∇0	4.80
45	55	-	85	PST50-600-70□	1SFA894005R70∇0	4.80
55	75	-	105	PST60-600-70□	1SFA894006R70∇0	5.00
59	80	-	124	PST72-600-70□	1SFA894007R70∇0	5.00
75	90	-	147	PST85-600-70□	1SFA894008R70∇0	11.20
90	110	-	181	PST105-600-70□	1SFA894009R70∇0	13.00
132	160	-	245	PST142-600-70□	1SFA894010R70∇0	13.00
160	200	-	300	PST175-600-70□	1SFA894011R70∇0	21.50
184	250	-	360	PST210-600-70□	1SFA894012R70∇0	21.50
220	295	-	430	PST250-600-70□	1SFA894013R70∇0	23.00
257	355	-	515	PST300-600-70□	1SFA894014R70∇0	23.00
355	450	-	640	PSTB370-600-70□	1SFA894015R70∇0	31.00
450	600	-	814	PSTB470-600-70□	1SFA894016R70∇0	31.00
540	700	-	987	PSTB570-600-70□	1SFA894017R70∇0	52.00
710	880	-	1247	PSTB720-600-70□	1SFA894018R70∇0	55.00
800	1000	-	1455	PSTB840-600-70□	1SFA894019R70∇0	60.00
1000	1250	-	1810	PSTB1050-600-70□	1SFA894020R70∇0	60.00

### PST30 ... PSTB1050

Rated operational voltage  $U_n$ , 400-690 V

Rated control supply voltage  $U_c$ , 100-250 V AC, 50/60 Hz

25	30	45	52	PST30-690-70□	1SFA895002R70∇0	4.80
30	37	55	64	PST37-690-70□	1SFA895003R70∇0	4.80
37	45	59	76	PST44-690-70□	1SFA895004R70∇0	4.80
45	55	75	85	PST50-690-70□	1SFA895005R70∇0	4.80
55	75	90	105	PST60-690-70□	1SFA895006R70∇0	5.00
59	80	110	124	PST72-690-70□	1SFA895007R70∇0	5.00
75	90	132	147	PST85-690-70□	1SFA895008R70∇0	11.20
90	110	160	181	PST105-690-70□	1SFA895009R70∇0	13.00
132	160	220	245	PST142-690-70□	1SFA895010R70∇0	13.00
160	200	257	300	PST175-690-70□	1SFA895011R70∇0	21.50
184	250	315	360	PST210-690-70□	1SFA895012R70∇0	21.50
220	295	400	430	PST250-690-70□	1SFA895013R70∇0	23.00
257	355	500	515	PST300-690-70□	1SFA895014R70∇0	23.00
355	450	600	640	PSTB370-690-70□	1SFA895015R70∇0	31.00
450	600	800	814	PSTB470-690-70□	1SFA895016R70∇0	31.00
540	700	960	987	PSTB570-690-70□	1SFA895017R70∇0	52.00
710	880	1200	1247	PSTB720-690-70□	1SFA895018R70∇0	55.00
800	1000	1400	1455	PSTB840-690-70□	1SFA895019R70∇0	60.00
1000	1250	1700	1810	PSTB1050-690-70□	1SFA895020R70∇0	60.00

\*) Add code letter in type acc. to below:  
□ No code letter = Normal  
T = Coated PCBs

\*\*) Add code number in order code acc. to below:  
∇ 0 = Normal  
2 = Coated PCBs

# PST(B) – The advanced range

## Heavy-duty, class 30, in-line, ordering details



# PST(B) – The advanced range

## Heavy-duty, class 30, inside delta, ordering details



### PST30...PSTB1050

Rated operational voltage  $U_n$ , 208-600 V

Rated control supply voltage  $U_c$ , 100-250 V AC, 50/60 Hz

Motor power

400 V P kW	500 V P kW	690 V P kW	IEC Max rated operational current $I_n$ A	Type*)	Order code**)	Weight kg 1 piece
11	15	-	22	PST30-600-70□	1SFA894002R70∇0	4.80
15	18.5	-	30	PST37-600-70□	1SFA894003R70∇0	4.80
18.5	22	-	37	PST44-600-70□	1SFA894004R70∇0	4.80
22	25	-	44	PST50-600-70□	1SFA894005R70∇0	4.80
25	30	-	50	PST60-600-70□	1SFA894006R70∇0	5.00
30	37	-	60	PST72-600-70□	1SFA894007R70∇0	5.00
37	45	-	72	PST85-600-70□	1SFA894008R70∇0	11.20
45	55	-	85	PST105-600-70□	1SFA894009R70∇0	13.00
55	75	-	105	PST142-600-70□	1SFA894010R70∇0	13.00
75	90	-	142	PST175-600-70□	1SFA894011R70∇0	21.50
90	110	-	175	PST210-600-70□	1SFA894012R70∇0	21.50
110	132	-	210	PST250-600-70□	1SFA894013R70∇0	23.00
132	160	-	250	PST300-600-70□	1SFA894014R70∇0	23.00
160	200	-	300	PSTB370-600-70□	1SFA894015R70∇0	31.00
200	257	-	370	PSTB470-600-70□	1SFA894016R70∇0	31.00
250	315	-	470	PSTB570-600-70□	1SFA894017R70∇0	52.00
315	400	-	570	PSTB720-600-70□	1SFA894018R70∇0	55.00
400	500	-	720	PSTB840-600-70□	1SFA894019R70∇0	60.00
450	600	-	840	PSTB1050-600-70□	1SFA894020R70∇0	60.00



PST30 ... PST72



PST85 ... PST142



PST175 ... PST300



PSTB370 ... PSTB470



PSTB570 ... PSTB1050

### PST30...PSTB1050

Rated operational voltage  $U_n$ , 400-690 V

Rated control supply voltage  $U_c$ , 100-250 V AC, 50/60 Hz

400 V P kW	500 V P kW	690 V P kW	IEC Max rated operational current $I_n$ A	Type*)	Order code**)	Weight kg 1 piece
11	15	18.5	22	PST30-690-70□	1SFA895002R70∇0	4.80
15	18.5	25	30	PST37-690-70□	1SFA895003R70∇0	4.80
18.5	22	30	37	PST44-690-70□	1SFA895004R70∇0	4.80
22	25	37	44	PST50-690-70□	1SFA895005R70∇0	4.80
25	30	45	50	PST60-690-70□	1SFA895006R70∇0	5.00
30	37	55	60	PST72-690-70□	1SFA895007R70∇0	5.00
37	45	59	72	PST85-690-70□	1SFA895008R70∇0	11.20
45	55	75	85	PST105-690-70□	1SFA895009R70∇0	13.00
55	75	90	105	PST142-690-70□	1SFA895010R70∇0	13.00
75	90	132	142	PST175-690-70□	1SFA895011R70∇0	21.50
90	110	160	175	PST210-690-70□	1SFA895012R70∇0	21.50
110	132	184	210	PST250-690-70□	1SFA895013R70∇0	23.00
132	160	220	250	PST300-690-70□	1SFA895014R70∇0	23.00
160	200	257	300	PSTB370-690-70□	1SFA895015R70∇0	31.00
200	257	355	370	PSTB470-690-70□	1SFA895016R70∇0	31.00
250	315	450	470	PSTB570-690-70□	1SFA895017R70∇0	52.00
315	400	560	570	PSTB720-690-70□	1SFA895018R70∇0	55.00
400	500	710	720	PSTB840-690-70□	1SFA895019R70∇0	60.00
450	600	800	840	PSTB1050-690-70□	1SFA895020R70∇0	60.00

\*) Add code letter in type acc. to below:  
□ No code letter = Normal  
T = Coated PCBs

\*\*) Add code number in order code acc. to below:  
∇ 0 = Normal  
2 = Coated PCBs

### PST30...PSTB1050

Rated operational voltage  $U_n$ , 208-600 V

Rated control supply voltage  $U_c$ , 100-250 V AC, 50/60 Hz

Motor power

400 V P kW	500 V P kW	690 V P kW	IEC Max rated operational current $I_n$ A	Type*)	Order code**)	Weight kg 1 piece
18.5	25	-	42	PST30-600-70□	1SFA894002R70∇0	4.80
25	30	-	52	PST37-600-70□	1SFA894003R70∇0	4.80
30	37	-	64	PST44-600-70□	1SFA894004R70∇0	4.80
37	45	-	76	PST50-600-70□	1SFA894005R70∇0	4.80
45	55	-	85	PST60-600-70□	1SFA894006R70∇0	5.00
55	75	-	105	PST72-600-70□	1SFA894007R70∇0	5.00
59	80	-	124	PST85-600-70□	1SFA894008R70∇0	11.20
75	90	-	147	PST105-600-70□	1SFA894009R70∇0	13.00
90	110	-	181	PST142-600-70□	1SFA894010R70∇0	13.00
132	160	-	245	PST175-600-70□	1SFA894011R70∇0	21.50
160	200	-	300	PST210-600-70□	1SFA894012R70∇0	21.50
184	250	-	360	PST250-600-70□	1SFA894013R70∇0	23.00
220	295	-	430	PST300-600-70□	1SFA894014R70∇0	23.00
257	355	-	515	PSTB370-600-70□	1SFA894015R70∇0	31.00
355	450	-	640	PSTB470-600-70□	1SFA894016R70∇0	31.00
450	600	-	814	PSTB570-600-70□	1SFA894017R70∇0	52.00
540	700	-	987	PSTB720-600-70□	1SFA894018R70∇0	55.00
710	880	-	1247	PSTB840-600-70□	1SFA894019R70∇0	60.00
800	1000	-	1455	PSTB1050-600-70□	1SFA894020R70∇0	60.00



PST30 ... PST72



PST85 ... PST142



PST175 ... PST300



PSTB370 ... PSTB470



PSTB570 ... PSTB1050

### PST30...PSTB1050

Rated operational voltage  $U_n$ , 400-690 V

Rated control supply voltage  $U_c$ , 100-250 V AC, 50/60 Hz

400 V P kW	500 V P kW	690 V P kW	IEC Max rated operational current $I_n$ A	Type*)	Order code**)	Weight kg 1 piece
18.5	25	37	42	PST30-690-70□	1SFA895002R70∇0	4.80
25	30	45	52	PST37-690-70□	1SFA895003R70∇0	4.80
30	37	55	64	PST44-690-70□	1SFA895004R70∇0	4.80
37	45	59	76	PST50-690-70□	1SFA895005R70∇0	4.80
45	55	75	85	PST60-690-70□	1SFA895006R70∇0	5.00
55	75	90	105	PST72-690-70□	1SFA895007R70∇0	5.00
59	80	110	124	PST85-690-70□	1SFA895008R70∇0	11.20
75	90	132	147	PST105-690-70□	1SFA895009R70∇0	13.00
90	110	160	181	PST142-690-70□	1SFA895010R70∇0	13.00
132	160	220	245	PST175-690-70□	1SFA895011R70∇0	21.50
160	200	257	300	PST210-690-70□	1SFA895012R70∇0	21.50
184	250	315	360	PST250-690-70□	1SFA895013R70∇0	23.00
220	295	400	430	PST300-690-70□	1SFA895014R70∇0	23.00
257	355	500	515	PSTB370-690-70□	1SFA895015R70∇0	31.00
355	450	600	640	PSTB470-690-70□	1SFA895016R70∇0	31.00
450	600	800	814	PSTB570-690-70□	1SFA895017R70∇0	52.00
540	700	960	987	PSTB720-690-70□	1SFA895018R70∇0	55.00
710	880	1200	1247	PSTB840-690-70□	1SFA895019R70∇0	60.00
800	1000	1400	1455	PSTB1050-690-70□	1SFA895020R70∇0	60.00

\*) Add code letter in type acc. to below:  
□ No code letter = Normal  
T = Coated PCBs

\*\*) Add code number in order code acc. to below:  
∇ 0 = Normal  
2 = Coated PCBs

# PST(B) – The advanced range Accessories



## Cable connectors for Cu cables

For PST85...300 you need 9 pieces if also using the terminals B1, B2, B3 for external by-pass contactor.

For softstarter type	Wire range mm <sup>2</sup>	Tightening torque max. Nm	Type	Order code	Pack <sup>ing</sup> piece	Weight kg 1 piece
PST85 ...142	6-120	14	-	1SDA066917R1	3	0.113
PST85 ...142	2x(50-120)	16	LZ185-2C/120	1SFN074709R1000	3	0.100
PST175 ...PST300	16-300	25	-	1SDA055016R1	3	0.133

## Cable connectors for Al and Cu cables

For PST85...300 you need 9 pieces if also using the terminals B1, B2, B3 for external by-pass contactor.

For softstarter type	Wire range mm <sup>2</sup>	Tightening torque max. Nm	Type	Order code	Pack <sup>ing</sup> piece	Weight kg 1 piece
PST85 ...142	95-185	31	-	1SDA054988R1	3	0.078
PST175 ...300	185-240	43	-	1SDA055020R1	3	0.133
PSTB370 ...470	2x(120-240)	35	-	1SDA013922R1	3	0.225
PSTB570 ...1050	3x(70-185)	45	-	1SDA013956R1	3	0.700

## Terminal extensions

For softstarter type	Dimensions hole ø mm <sup>2</sup>	bar mm	Type	Order code	Pack <sup>ing</sup> piece	Weight kg 1 piece
PST85...142	8.5	17.5x5	LX185 <sup>1)</sup>	1SFN074710R1000	1	0.250
PST175...300	10.5	20x5	LX300 <sup>2)</sup>	1SFN075110R1000	1	0.350
PSTB370...470	10.5	25x5	LX460	1SFN075710R1000	1	0.500
PSTB570...1050	13	40x6	LX750	1SFN076110R1000	1	0.850

## Terminal enlargements

For softstarter type	Dimensions hole ø mm <sup>2</sup>	bar mm	Type	Order code	Pack <sup>ing</sup> piece	Weight kg 1 piece
PST30...72	6.5	15x3	LW110 <sup>1)</sup>	1SFN074307R1000	1	0.100
PST85...142	10.5	17.5x5	LW185 <sup>1)</sup>	1SFN074707R1000	1	0.250
PST175...300	10.5	20x5	LW300 <sup>1)</sup>	1SFN075107R1000	1	0.450
PSTB370...470	10.5	25x5	LW460	1SFN075707R1000	1	0.730
PSTB570...1050	13	40x6	LW750	1SFN076107R1000	1	1.230

## Terminal nut washer

For softstarter type	Req. qty	Type	Order code	Pack <sup>ing</sup> piece	Weight kg 1 piece
PST85...142	1	LE185 <sup>1)</sup>	1SFN074716R1000	2	0.200
PST175...300	3	LE300 <sup>2)</sup>	1SFN075116R1000	2	0.300
PSTB370...470	6	LE460	1SFN075716R1000	6	0.600
PSTB570...1050	6	LE750	1SFN076116R1000	6	0.750

## Terminal shrouds

For softstarter type	Suitable for	Req. qty	Type	Order code	Pack <sup>ing</sup> piece	Weight kg 1 piece
PST85...142	Cable connectors	1 pce and	LT185-AC	1SFN124701R1000	2	0.050
		1 pce	LT460-AC	1SFN125701R1000	2	0.100
PST85...142	Compression lugs	1 pce and	LT185-AL	1SFN124703R1000	2	0.220
		1 pce	LT460-AL	1SFN125703R1000	2	0.800
PST175...300	Cable connectors	3 pcs	LT300-AC <sup>2)</sup>	1SFN125101R1000	2	0.070
PST175...300	Compression lugs	3 pcs	LT300-AL <sup>2)</sup>	1SFN125103R1000	2	0.280
PSTB370...470	Cable connectors	2 pcs	LT460-AC	1SFN125701R1000	2	0.100
PSTB370...470	Compression lugs	2 pcs	LT460-AL	1SFN125703R1000	2	0.800
PSTB570...1050	Cable connectors	2 pcs	LT750-AC	1SFN126101R1000	2	0.120
PSTB570...1050	Compression lugs	2 pcs	LT750-AL	1SFN126103R1000	2	0.825

## External keypad including a 3 m cable

For softstarter type	Type	Order code	Pack <sup>ing</sup> piece	Weight kg 1 piece
PST30...300 PSTB370...1050	PSTEK	1SFA899003R1000	1	0.400

## Marine kit

For softstarter type	Type	Order code	Pack <sup>ing</sup> piece	Weight kg 1 piece
PST85...142	PSTM-2	1SFA899004R1000	1	0.240

## FieldBusPlug

ABB's FiledBusPlug suitable for all sizes. See page 50-53

<sup>1)</sup> Only fits on the motor side  
<sup>2)</sup> Use two sets of the accessories on the line side and one set on the motor side.

# PST(B) – The advanced range Technical data

Rated insulation voltage U <sub>i</sub>	690 V		Control circuit	Number of inputs	2 (start, stop)
Rated operational voltage U <sub>e</sub>	208...600 V, 400...690 V + 10%/-15% 50/60 Hz ±5%			Number of additional programmable inputs	2 (Each input can be programmed to be either: Non, Reset, Enable, Jog, DOL-On, Start motor 2, Start motor 3 or FB-Dis)
Rated control supply voltage U <sub>c</sub>	100...250 V + 10%/-15% 50/60 Hz ±5%		Signalling indication LED	Power on	green
Rated control circuit voltage U <sub>c</sub>	Internal or external 24 V DC			Fault	red
Starting capacity at I <sub>e</sub>	4 x I <sub>e</sub> for 10 sec.		Protection	yellow	
Number of starts per hour	PST30...300 30 <sup>1)</sup>	PSTB370...1050 10 <sup>1)</sup>	Protections	Electronic overload	Yes (Class 10A, 10, 20, 30)
Overload capability	Overload class 10			Dual overload	Yes (separate overload function for start and run)
Service factor	PST(B)30...840 115%	PSTB1050 100 %	PTC connection	Yes	
Ambient temperature	during operation ±0 ... +50 °C <sup>2)</sup>		Locked rotor protection	Yes (Level and delay adjustable)	
	during storage -25 ... +70 °C		Underload protection	Yes (Level and delay adjustable)	
Maximum altitude	4000 m <sup>3)</sup>		Phase imbalance	Yes (Level and delay adjustable)	
Degree of protection	PST30...72 main circuit IP10	PST85...PSTB1050 IP00	High current (8 x I <sub>e</sub> )	Yes	
	Supply and control circuit IP20		Phase reversal protection	Yes	
Main circuit	PST30...300 Built-in by-pass contactor No	PSTB370...1050 Yes	Warnings (pre-warning)	High current	Yes (Level and delay adjustable)
	Cooling system - Fan cooled Yes (thermostat controlled)			Low current (underload)	Yes (Level and delay adjustable)
HMI for settings (Human Machine Interface)	Display Full text			Overload trip	Yes (Level and delay adjustable)
	Languages English, German, Italian, Dutch, Chinese, Finnish, Swedish, French, Spanish, Russian, Portugese, Turkish, Polish and Czech			Overtemp, thyristor (SCR)	Yes
	Keypad 2 selection keys and 2 navigating keys		Start of several motors	Possible to setup and start three different motors	Yes (Different parameter sets)
Signal relays	Number of programmable signal relays 3 (each relay can be programmed to be Run, By-pass or Event signal)		Field bus connection	Connection for ABB FiledBus Plug	Yes
	K4 Default as Run signal		PTC input	Switch off resistance	2825 ohm ± 20%
	K5 Default as TOR (By-pass) signal			Switch on resistance	1200 ohm ± 20%
	K6 Default as Event signal		External keypad	Display	LCD type
	Rated operational voltage, U <sub>e</sub> 250 V AC/24 V DC			Ambient temperature	
	Rated thermal current I <sub>th</sub> 5 A			During operation	±0 ... +50 °C
	Rated operational current I <sub>e</sub> at AC-15 (U <sub>e</sub> =250 V) 1.5 A			During storage	-25 ... +70 °C
Analog output	Output signal reference 0 ... 10 V, 0 ... 20 mA, 4 ... 20 mA			Degree of protection	IP66
	Type of output signal I Amp, U Volt, P kW, P hp, Q kVAR, S kVA, TmpMot, TmpSCR, cosPhi				

<sup>1)</sup> Valid for 50% on time and 50% off time. If other data is required, contact your sales office.

<sup>2)</sup> Above 40 °C up to max. 50 °C reduce the rated current with 0.8% per °C.

<sup>3)</sup> When used at high altitudes above 1000 meters up to 4000 meters you need to derate the rated current using the following formula.

$$[\% \text{ of } I_e = 100 - \frac{x-1000}{150}] \times x = \text{actual altitude for the softstarter}$$

## PSTB Integrated by-pass ratings

Softstarter	PSTB370	PSTB470	PSTB570	PSTB720	PSTB840	PSTB1050
Integrated contactor	AF305		AF460	AF580	AF750	
AC-3 rating (A)	305		460	580	750	

# PST(B) – The advanced range

## Technical data

### Major possible settings and the displayed text and the set default values

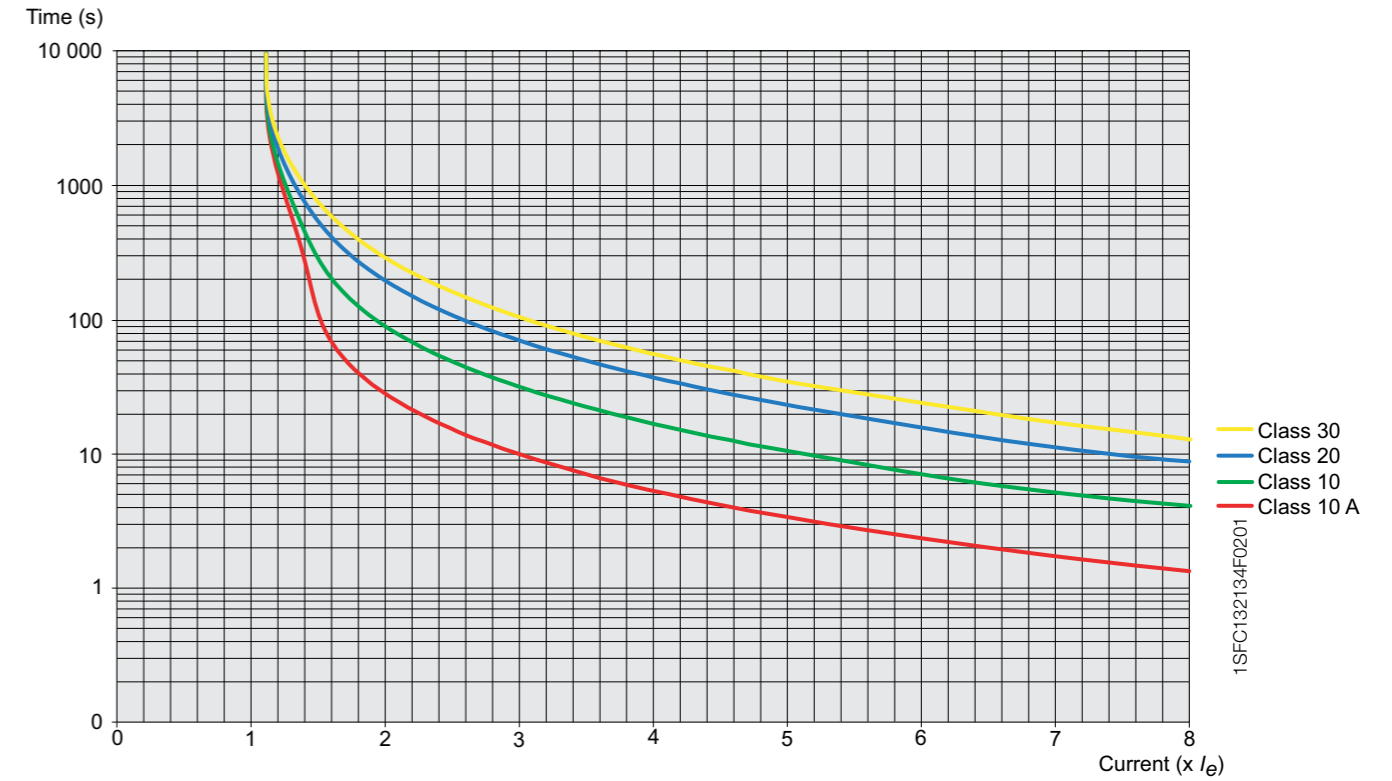
Description	Text on display (Eng)	Values on display	Default value
Setting current for overload, locked rotor etc.	Setting I <sub>l</sub>	9.0 ... 1207 A divided into 19 overlapping ranges.	See table, page 48
Time for start ramp	Start Ramp	1 ... 30 s, 1 ... 120 s (Range depends on Start Range)	10 s
Time for stop ramp	Stop Ramp	0 ... 30 s, 0 ... 120 s (Range depends on Stop Range)	0 s
Initial voltage for start ramp	Init Volt	30 ... 70%	30%
End voltage for stop ramp	End Volt	30 ... 70%	30%
Step down voltage	Step Down	30 ... 100%	100%
Level of the current limit	Current Lim	1.5 ... 7.0 x I <sub>l</sub>	4.0 x I <sub>l</sub>
Selection of kick start	Kick Start	Yes, No	No
Level of kick start if selected	Kick Level	50 ... 100%	50 %
Time for kick start if selected	Kick Time	0.1 ... 1.5 s	0.2
Selectable range for start ramp	Start Range	1 ... 30 s, 1 ... 120 s	1 ... 30 s
Selectable range for stop ramp	Stop Range	0 ... 30 s, 0 ... 120 s	0 ... 30 s
<b>Overload protection</b>	Overload	No, Normal, Dual	Normal
Overload class	OL Class	10 A, 10, 20, 30	10
Overload class, dual type, start class	OL Class S	10A, 10, 20, 30	10
Overload class, dual type, run class	OL Class R	10A, 10, 20, 30	10
Type of operation for overload protection	OL Op	Stop-M, Stop-A, Ind	Stop-M
<b>Locked rotor protection</b>	Locked Rotor	Yes, No	No
Trip level for locked rotor protection	Lock R Lev	0.5 ... 8.0 x I <sub>l</sub>	4.0 x I <sub>l</sub>
Trip time for locked rotor protection	Lock R Time	0.2 ... 10 s	1.0 s
Type of operation for locked rotor protection	Lock R Op	Stop-M, Stop-A, Ind	Stop-M
<b>Underload protection</b>	Underload	Yes, No	No
Trip level for underload protection	Underl Lev	0.4 ... 0.8 x I <sub>l</sub>	0.5 x I <sub>l</sub>
Trip time for underload protection	Underl Time	1 ... 30 s	10 s
Type of operation for underload protection	Underl Op	Stop-M, Stop-A, Ind	Stop-M
<b>Phase imbalance protection</b>	Phase Imb	Yes, No	No
Trip level for phase imbalance protection	Ph Imb Lev	10 ... 80%	80%
Type of operation for phase imbalance protection	Ph Imb Op	Stop-M, Stop-A, Ind	Stop-M
<b>High current protection</b>	High I	Yes, No	No
Type of operation for high current protection	High I Op	Stop-M, Stop-A, Ind	Stop-M
<b>Phase reversal protection</b>	Phase Rev	Yes, No	No
Type of operation for phase reversal protection	Ph Rev Op	Stop-M, Stop-A, Ind	Stop-M
<b>PTC protection</b>	PTC	Yes, No	No
Type of operation for PTC protection	PTC Op	Stop-M, Stop-A	Stop-M
An external bypass contactor is used	Ext ByPass	Yes, No	No
<b>High current warning</b>	Warn I=High	Yes, No	No
Trip level for high current warning	Wa I=H Lev	0.5 ... 5.0 x I <sub>l</sub>	1.2 x I <sub>l</sub>
<b>Low current warning</b>	Warn I=Low	Yes, No	No
Trip level for low current warning	Wa I=L Lev	0.4 ... 1.0 x I <sub>l</sub>	0.8 x I <sub>l</sub>
<b>Overload warning</b>	Warn OL	Yes, No	No
Trip level for overload warning	Wa OL Lev	40 ... 99%	90%
<b>Thyristor overload warning</b>	Warn SCR OL	Yes, No	No
Type of operation for phase loss fault	Ph Loss Op	Stop-M, Stop-A	Stop-M
Type of operation for by-pass doesn't close	BP open Op	Stop-M, Stop-A	Stop-M
Type of operation for by-pass doesn't open	BP closed Op	Stop-M, Stop-A	Stop-M
Type of operation for fieldbus fault	FB Fault Op	Stop-M, Stop-A	Stop-M
Type of operation for frequency fault	Freq F Op	Stop-M, Stop-A	Stop-M
Type of operation for heat sink over temperature fault	HS Temp Op	Stop-M, Stop-A	Stop-M
Type of operation for thyristor short circuit fault	SCR SC Op	Stop-M, Stop-A	Stop-M
Function of programmable input In_0	In0	None, Reset, Enable, Jog, DOL, Start 2, FB-Dis	Reset
Function of programmable input In_1	In1	None, Reset, Enable, Jog, DOL, Start 3, FB-Dis	Reset
Function of programmable relay output K4	Relay K4	Run, TOR, Event	Run
Function of programmable relay output K5	Relay K5	Run, TOR, Event	TOR
Function of programmable relay output K6	Relay K6	Run, TOR, Event	Event
Control of the softstarter with fieldbus	Fieldb Ctrl	Yes, No	No
Number of sequences for sequence start.	No of Seq	No, 2, 3	No
Language to use on display	Language	US/UK, FI, SE, PT, NL, IT, FR, ES, DE, CN, RU, TR, PL, CZ	US/UK
Password for display	Password	No, 1 ... 255	No
Start mode	Start Mode	Volt, Torque	Volt
Stop mode	Stop Mode	Volt, Torque	Volt
Torque limit	Torque limit	20 ... 200%	150%
Analog output	Analogue Out	Yes, No	No
Analog output, reference	Anl Ref	0 ... 10 V, 0 ... 20 mA, 4 ... 20 mA	4 ... 20 mA
Analog output, type of value	Anl Type	I Amp, U Volt, P kW, P hp, Q kVAR, S kVA, TmpMot, TmpSCR, cosPhi	I Amp

# PST(B) – The advanced range

## Technical data

### Tripping curves for the integrated electronic overload protection

All units have an integrated electronic overload protection that can be set to four different tripping classes. Below you find a curve for each tripping class in cold state. These tripping curves are valid for PSE, PST, and PST(B).



Tripping curves for electronic overload protection (Cold) for PSE, PST and PSTB.


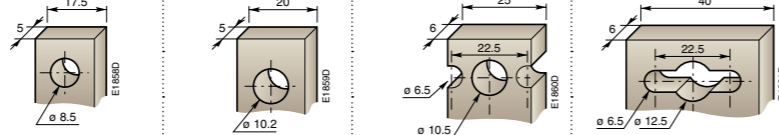




# PST(B) – The advanced range

## Technical data

### Cross section of connection cables

		Type of softstarter				
		PST30 ... 72	PST85 ... 142	PST175 ... 300	PSTB370 ... 470	PSTB570 ... 1050
<b>Main circuit</b>						
Available terminals:	L1, L2, L3	Yes	Yes	Yes	Yes	Yes
	T1, T2, T3	Yes	Yes	Yes	Yes	Yes
(For external by-pass)	B1, B2, B3	Yes	Yes	Yes	No	No
Connection clamp						
						
Solid/stranded	1 x mm <sup>2</sup>	10 ... 95	See accessories			
Solid/stranded	2 x mm <sup>2</sup>	6 ... 35	See accessories			
Tightening torque (recommended)	Nm	6.0	See accessories			
Connection bar						
No						
						
Width and thickness	mm	-				
Hole diameter	mm	-				
Tightening torque (recommended)	Nm	-	18	28	35	45
<b>Supply and control circuit</b>						
Connection clamp						
Yes						
Solid/stranded	1 x mm <sup>2</sup>	2.5				
Solid/stranded	2 x mm <sup>2</sup>	1.5				
Tightening torque (recommended)	Nm	0.5				

### Fuse ratings and power losses

For softstarter	Type	Recommended ABB's overload protection		Max power loss at rated I <sub>e</sub>		Max fuse rating - main circuit <sup>1) 3)</sup>			Power requirements supply circuit Holding (VA) / Pull-in (VA)
		Current range	without by-pass <sup>2)</sup>	with by-pass	Bussmann fuses, DIN43 620 (Knife)				
					A	Type	Size		
<b>PST</b>									
PST30	Integrated	9...35	100	9.5	80	170M1566	000	5	
PST37	Integrated	11...43	120	10.5	125	170M1568	000	5	
PST44	Integrated	13...51	140	13.5	160	170M1569	000	5	
PST50	Integrated	15...58	160	13.5	160	170M1569	000	5	
PST60	Integrated	18...69	190	15.5	200	170M1570	000	5	
PST72	Integrated	22...83	230	17	250	170M1571	000	5	
PST85	Integrated	25...98	270	30.5	315	170M1572	000	10	
PST105	Integrated	32...120	325	35	400	170M3819	1*	10	
PST142	Integrated	43...163	435	37	450	170M5809	2	10	
PST175	Integrated	53...201	540	62	500	170M5810	2	15	
PST210	Integrated	63...241	645	67	630	170M5812	2	15	
PST250	Integrated	75...288	765	67	700	170M5813	2	15	
PST300	Integrated	90...345	920	90	900	170M6813	3	15	
<b>PSTB 600 V</b>									
PSTB370	Integrated	111...425	N/A	90	700	170M5813	2	20/480	
PSTB470	Integrated	141...540	N/A	110	900	170M6813	3	20/480	
PSTB570	Integrated	171...655	N/A	105	900	170M6813	3	25/900	
PSTB720	Integrated	216...828	N/A	110	1250	170M8554	3	25/860	
PSTB840	Integrated	252...966	N/A	170	1500	170M6018 <sup>4)</sup>	3	25/860	
PSTB1050	Integrated	315...1207	N/A	170	1800	170M6020 <sup>4)</sup>	3	25/860	
<b>PSTB 690 V</b>									
PSTB370	Integrated	111...425	N/A	90	700	170M5813	2	20/480	
PSTB470	Integrated	141...540	N/A	110	900	170M6813	3	20/480	
PSTB570	Integrated	171...655	N/A	105	900	170M6813	3	25/900	
PSTB720	Integrated	216...828	N/A	110	1250	170M8554	3	25/860	
PSTB840	Integrated	252...966	N/A	170	1500	170M6018 <sup>4)</sup>	3	25/860	
PSTB1050	Integrated	315...1207	N/A	170	1600	170M6019 <sup>4)</sup>	3	25/860	

<sup>1)</sup> For the supply circuit 6 A delayed, for MCB use C characteristics.

<sup>2)</sup> See PSS page 24

<sup>3)</sup> Max fuse rating independent if in-line or inside delta connection. In inside delta connections of PST, the fuses can be placed outside of the delta. For PSTB the fuses shall be placed inside the delta. Contact ABB for more information.

<sup>4)</sup> DIN43 653

# PST(B) – The advanced range

## UL ratings

### 3-phase motor rating – in-line

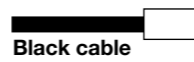
Softstarters	Motor power P (hp) and full load current FLA (A)				
	Max. FLA A	U <sub>e</sub> 200V/208 V hp	U <sub>e</sub> 220 V/240 V hp	U <sub>e</sub> 440 V/480 V hp	U <sub>e</sub> 550 V/600 V hp
PST30	28	7.5	10	20	25
PST37	34	10	10	25	30
PST44	42	10	15	30	40
PST50	54	15	20	40	50
PST60	60	20	20	40	50
PST72	68	20	25	50	60
PST85	80	25	30	60	75
PST105	104	30	40	75	100
PST142	130	40	50	100	125
PST175	156	50	60	125	150
PST210	192	60	75	150	200
PST250	248	75	100	200	250
PST300	302	100	100	250	300
PSTB370	361	125	150	300	350
PSTB470	480	150	200	400	500
PSTB570	590	200	250	500	600
PSTB720	720	250	300	600	700
PSTB840	840	300	350	700	800
PSTB1050	1062	400	450	900	1000

### 3-phase motor rating – inside delta

Softstarters	Motor power P (hp) and full load current FLA (A)				
	Max. FLA A	U <sub>e</sub> 200 V/208 V hp	U <sub>e</sub> 220 V/240 V hp	U <sub>e</sub> 440 V/480 V hp	U <sub>e</sub> 550 V/600 V hp
PST30	42	10	15	30	40
PST37	54	15	20	40	50
PST44	72	20	25	50	60
PST50	80	25	30	60	75
PST60	104	30	40	75	100
PST72	104	30	40	75	100
PST85	130	40	50	100	125
PST105	156	50	60	125	150
PST142	192	60	75	150	200
PST175	248	75	100	200	250
PST210	302	100	100	250	300
PST250	361	125	150	300	350
PST300	480	150	200	400	500
PSTB370	590	200	250	500	600
PSTB470	720	250	300	600	700
PSTB570	840	300	350	700	800
PSTB720	1247	400	500	1000	1200
PSTB840	1454	500	600	1200	1500
PSTB1050	1839	600	700	1500	1800

# FBP FieldBusPlug

## DeviceNet, MODBUS-RTU and CANopen, ordering details



### DeviceNet FieldBusPlug

Ready-made DeviceNet fieldbus interface with various cable lengths.

- Applicable on all FBP motor starters and other devices
- Degree of protection IP65, diagnostic LED

Designation	Cable length	Type	Order code	Pack <sup>ing</sup> piece	Weight kg 1 piece
DeviceNet-FBP	0.25 m	DNP21-FBP.025	1SAJ230000R1003	1	0.09
DeviceNet-FBP	0.50 m	DNP21-FBP.050	1SAJ230000R1005	1	0.10
DeviceNet-FBP	1.00 m	DNP21-FBP.100	1SAJ230000R1010	1	0.13
DeviceNet-FBP	5.00 m	DNP21-FBP.500	1SAJ230000R1050	1	0.36

### MODBUS-RTU FieldBusPlug

Ready-made MODBUS-RTU fieldbus interface with various cable lengths.

- Applicable on all FBP motor starters and other devices
- Degree of protection IP65, diagnostic LED

Designation	Cable length	Type	Order code	Pack <sup>ing</sup> piece	Weight kg 1 piece
MODBUS-RTU-FBP	0.25 m	MRP21-FBP.025	1SAJ250000R0003	1	0.09
MODBUS-RTU-FBP	0.50 m	MRP21-FBP.050	1SAJ250000R0005	1	0.10
MODBUS-RTU-FBP	1.00 m	MRP21-FBP.100	1SAJ250000R0010	1	0.13
MODBUS-RTU-FBP	5.00 m	MRP21-FBP.500	1SAJ250000R0050	1	0.36

### CANopen FieldBusPlug

Ready-made CANopen fieldbus interface with various cable lengths.

- Applicable on all FBP motor starters and other devices
- Degree of protection IP65, diagnostic LED

Designation	Cable length	Type	Order code	Pack <sup>ing</sup> piece	Weight kg 1 piece
CANopen-FBP	0.25 m	COP21-FBP.025	1SAJ230100R1003	1	0.09
CANopen-FBP	0.50 m	COP21-FBP.050	1SAJ230100R1005	1	0.10
CANopen-FBP	1.00 m	COP21-FBP.100	1SAJ230100R1010	1	0.13

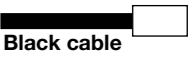


#### To connect the PST softstarter to a DeviceNet or CANopen fieldbus system...

you need specific software for PLC setup, (EDS file) which is available at [www.abb.com/lowvoltage](http://www.abb.com/lowvoltage) on the Softstarter pages. Look under the documentation-link named Software. If you need help or advice, please contact your local ABB office.

# FBP FieldBusPlug

## DeviceNet, MODBUS-RTU and CANopen accessories, ordering details



### Accessories for the DeviceNet, MODBUS-RTU and CANopen bus connector

#### DeviceNet, MODBUS-RTU and CANopen round cable for bus junctions

Ready-made bus cable with an M12 connector and an open cable end.

Designation	Cable length	Type	Order code	Pack <sup>ing</sup> piece	Weight kg 1 piece
Round cable with female connector	0.50 m	DNF11-FBP.050	1SAJ923002R0005	1	0.04
Round cable with male connector	0.50 m	DNM11-FBP.050	1SAJ923003R0005	1	0.04



#### DeviceNet, MODBUS-RTU and CANopen round cable for bus extension

Ready-made bus cable with M12 male and female connectors

Designation	Cable length	Type	Order code	Pack <sup>ing</sup> piece	Weight kg 1 piece
Extension cable	1.00 m	DNX11-FBP.100	1SAJ923001R0010	1	0.08
Extension cable	3.00 m	DNX11-FBP.300	1SAJ923001R0030	1	0.20
Extension cable	5.00 m	DNX11-FBP.500	1SAJ923001R0050	1	0.31
Round cable	100.00 m	DNC11-FBP.999	1SAJ923004R0001	1	5.60



#### DeviceNet, MODBUS-RTU and CANopen round cable connectors

Bus cable and coupling accessories

Designation	Type	Order code	Pack <sup>ing</sup> piece	Weight kg 1 piece
Male connector for round cable	DNM11-FBP.0	1SAJ923005R0001	5	0.15
Female connector for round cable	DNF11-FBP.0	1SAJ923006R0001	5	0.15



#### DeviceNet, MODBUS-RTU and CANopen termination resistor

Designation	Type	Order code	Pack <sup>ing</sup> piece	Weight kg 1 piece
Termination Resistor, 120 Ohm	DNR11-FBP.120	1SAJ923007R0001	1	0.02



# FBP FieldBusPlug

## Profibus DP, ordering details



PDP22-FBP

### Profibus DP FieldBusPlug

Ready-made Profibus DP fieldbus interface with various cable lengths.

- Supports PROFIBUS DP V0 and V1
- Applicable on all FBP motor starters and other devices
- Degree of protection IP65, diagnostic LED



Designation	Cable length	Type	Order code	Pack <sup>ing</sup> piece	Weight kg 1 piece
Profibus DP FBP	0.25 m	PDP22-FBP.025	1SAJ240100R1003	1	0.09
Profibus DP FBP	0.50 m	PDP22-FBP.050	1SAJ240100R1005	1	0.10
Profibus DP FBP	1.00 m	PDP22-FBP.100	1SAJ240100R1010	1	0.13
Profibus DP FBP	2.00 m	PDP22-FBP.200	1SAJ240100R1020	1	0.20
Profibus DP FBP	5.00 m	PDP22-FBP.500	1SAJ240100R1050	1	0.36

### Profibus DP FieldBusPlug for four devices

PDQ22 is a member of the ABB's FieldBusPlug family of bus connectors. It allows the connection of up to four devices to Profibus DP by just using one Profibus node access. This allows a cost efficient device integration for devices that are located physically nearby. PDQ22 supports DP-V0 and DP-V1. The degree of protection is IP66. There are separate diagnosis LEDs for bus and device status.



PDQ22-FBP

**Note that the accessory PDQ22-FBP only works with the PSR and PSE and not with the PST(B) softstarter.**

Designation	Type	Order code	Pack <sup>ing</sup> piece	Weight kg 1 piece
Quadruple bus connector	PDQ22-FBP	1SAJ240200R0050	1	0.20
DINrail adapter for PDQ22-FBP	CDA11-FBP.0	1SAJ929300R0001	1	0.11
Fixing bracket for passive plug of connection cable	CDP11-FBP.0	1SAJ929100R0001	1	0.50

### Configuration software

This cable and software can be used for setup and commissioning of the softstarter as well as to keep back-up of the parameter settings.

Designation	Type	Order code	Pack <sup>ing</sup> piece	Weight kg 1 piece
USB to FBP interface cable	UTF21-FBP	1SAJ929400R0002	1	
PDP22/PDQ22 Device Type Manager (DTM) incl. FDT/DTM frame application	PBDTM-FBP	1SAJ924012R0005	1	

### To connect the PST softstarter to a Profibus DP fieldbus system...

you need specific software for PLC setup, (GSD file) which is available at [www.abb.com/lowvoltage](http://www.abb.com/lowvoltage) on the softstarter pages. Look under the documentation-link named Software. If you need help or advice, please contact your local ABB office.

PDP21 is replaced by PDP22.  
Use PDP22 with the GSD-file Abb\_082d.gsd regardless if the PLC is a DP/V0 or DP/V1.

# FBP FieldBusPlug

## Profibus DP accessories, ordering details



### Accessories for the Profibus DP Bus Connector



#### Profibus DP Round cable for Bus Junctions

Ready-made bus cable with an M12 connector and an open cable end.

- Application on bus junctions such as e.g. Profibus DB couplers or devices with an integrated Profibus DB interface

Designation	Cable length	Type	Order code	Pack <sup>ing</sup> piece	Weight kg 1 piece
Round cable with female connector	0.50 m	PDF11-FBP.050	1SAJ924002R0005	1	0.04
Round cable with male connector	0.50 m	PDM11-FBP.050	1SAJ924003R0005	1	0.04

#### Profibus DP round cable for bus extension

Ready-made bus cable with M12 male and female connectors

Round cable on coil

Designation	Cable length	Type	Order code	Pack <sup>ing</sup> piece	Weight kg 1 piece
Extension cable	0.50 m	PDX11-FBP.050	1SAJ924001R0005	1	0.04
Extension cable	1.00 m	PDX11-FBP.100	1SAJ924001R0010	1	0.08
Extension cable	3.00 m	PDX11-FBP.300	1SAJ924001R0030	1	0.20
Extension cable	5.00 m	PDX11-FBP.500	1SAJ924001R0050	1	0.31
Round cable	100.00 m	PDC11-FBP.999	1SAJ924004R1000	1	5.60

#### Profibus DP accessories for bus extension

Designation	Type	Order code	Pack <sup>ing</sup> piece	Weight kg 1 piece
Male Connector for round cable	PDM11-FBP.0	1SAJ924005R0001	5	0.03
Female Connector for round cable	PDF11-FBP.0	1SAJ924006R0001	5	0.03

#### Profibus DP termination resistor, miscellaneous accessories

Designation	Type	Order code	Pack <sup>ing</sup> piece	Weight kg 1 piece
Termination resistor, 150 Ohm	PDR11-FBP.150	1SAJ924007R0001	1	0.03
Feeding connector 24V DC, Code B-A	PDV11-FBP.0	1SAJ924008R0001	1	0.04
Feeding connector 24V DC, Code A-A	PDV12-FBP.0	1SAJ924011R0001	1	0.04
Adaptor M12-Dsub9-M12 Cable length 0.50m	PDA11-FBP.050	1SAJ924009R0001	1	0.04
Adaptor M12-Dsub9-M12 Cable length 2 x 0.50m	PDA12-FBP.050	1SAJ924010R0001	1	0.04

#### Extension cable

Designation	Cable length	Type	Order code	Pack <sup>ing</sup> piece	Weight kg 1 piece
Extension cable (female/male), shielded	0.3 m	CDP15-FBP.030	1SAJ929140R0003	1	
Extension cable (female/male), shielded	0.6 m	CDP15-FBP.060	1SAJ929140R0006	1	
Extension cable (female/male), shielded	1.5 m	CDP15-FBP.150	1SAJ929140R0015	1	0.20
Extension cable (male/open), shielded	1.5 m	CDP16-FBP.150	1SAJ929150R0015	1	0.20



PDF11-FBP.050



PDM11-FBP.050



PDX11-FBP



PDM11-FBP



PDF11-FBP



PDR11-FBP.150



PDV11-FBP,  
PDV12-FBP



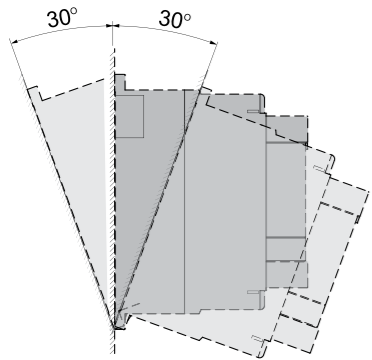
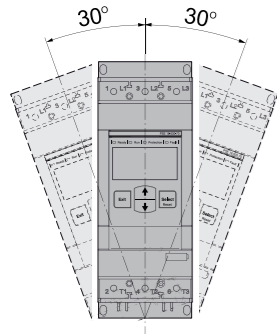
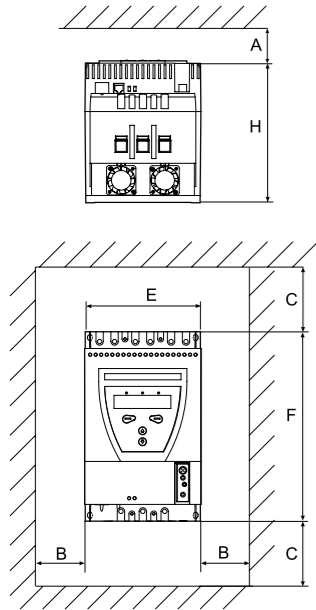
PDA11-FBP.050



PDA12-FBP.050

# Wall mounting instructions Softstarters

## Minimum distance to wall/front



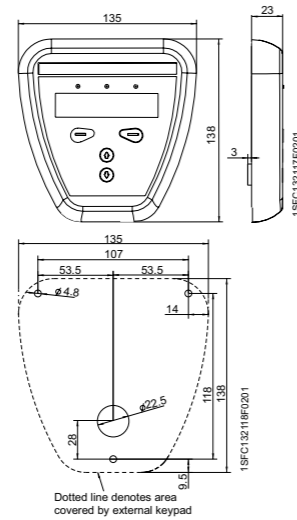
Dimensions in mm

## Dimensions

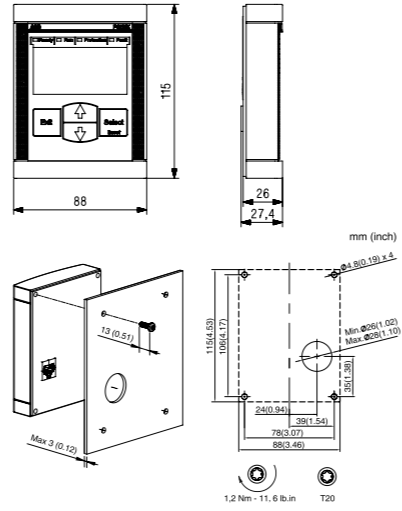
Softstarter, type	A	B	C	E	F	H
<b>PSR</b>						
PSR3 ... 16	25	0*	0	45	140	114
PSR25 ... 30	25	0*	0	45	160	128
PSR37 ... 45	25	0*	0	54	187	153
PSR60 ... 105	25	0*	0	70	220	180
<b>PSS ... -500 for 500 V</b>						
PSS18/30 ... 44/76	20	10	100	120	200	162
PSS50/85 ... 72/124	20	10	100	140	250	162
PSS85/147 ... 142/245	20	10	100	181	340	265
PSS175/300 ... 300/515	20	10	100	356	340	265
<b>PSS ... -690 for 690 V</b>						
PSS18/30 ... 72/124	20	10	100	140	250	163
PSS85/147 ... 142/245	20	10	100	181	340	265
PSS175/300 ... 300/515	20	10	100	356	340	265
<b>PSE</b>						
PSE18 ... 105	20	10	100	90	245	185.5
PSE142 ... 170	20	10	100	130	295	219.5
PSE210 ... 370	20	10	100	190	550	236.5
<b>PST</b>						
PST30 ... 72	20	10	100	160	260	196
PST85 ... 142	20	10	100	186	390	270
PST175 ... 300	20	10	100	360	420	270
<b>PSTB</b>						
PSTB370 ... 470	20	15	150	365	460	361
PSTB570 ... 1050	20	15	150	435	515	381

\*] 5 mm for the 24 V DC version

## Dimensions PSTEK

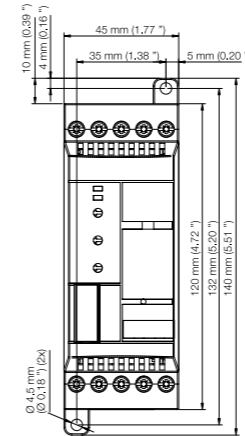
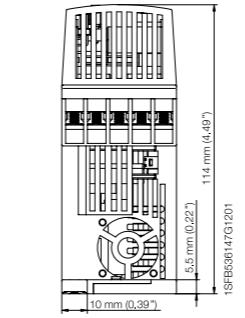


## PSEK

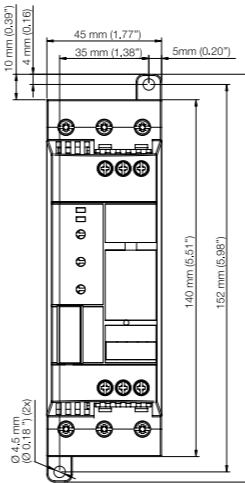
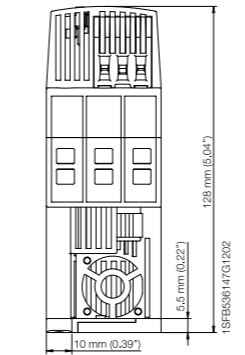


# Dimensions Softstarters, type PSR

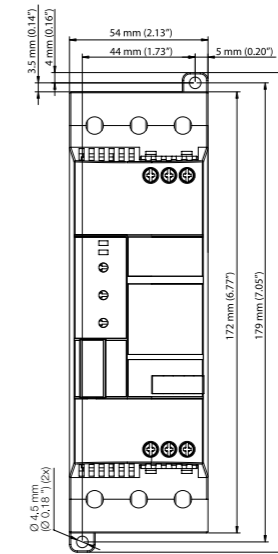
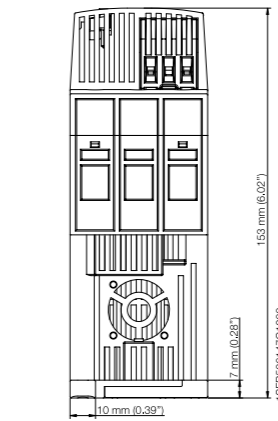
## PSR3 ... 16



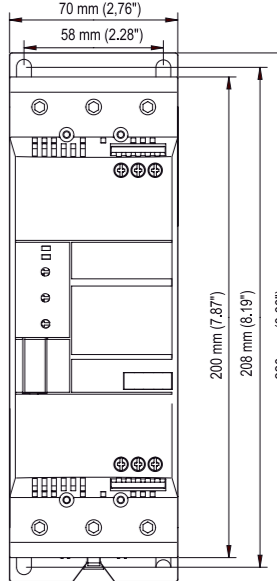
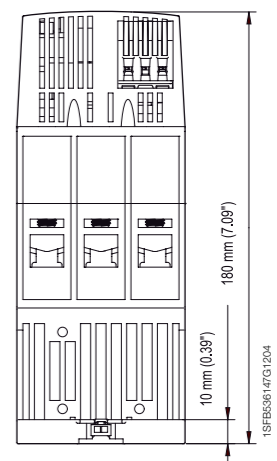
## PSR25 ... 30



## PSR37 ... 45



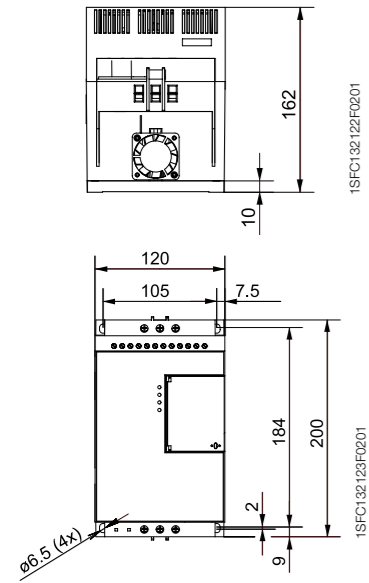
## PSR60 ... 105



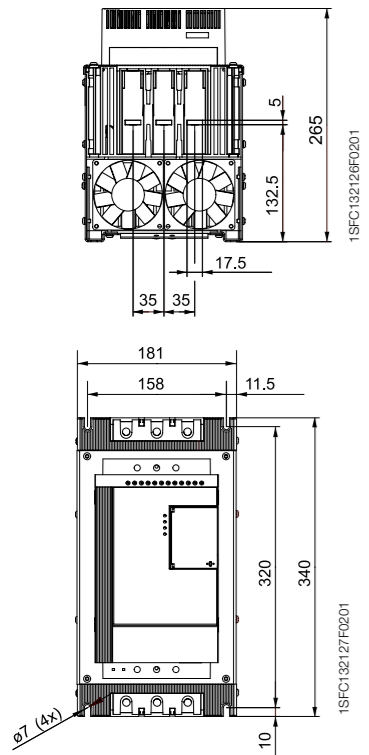
Dimensions in mm (and inches)

# Dimensions Softstarters, type PSS

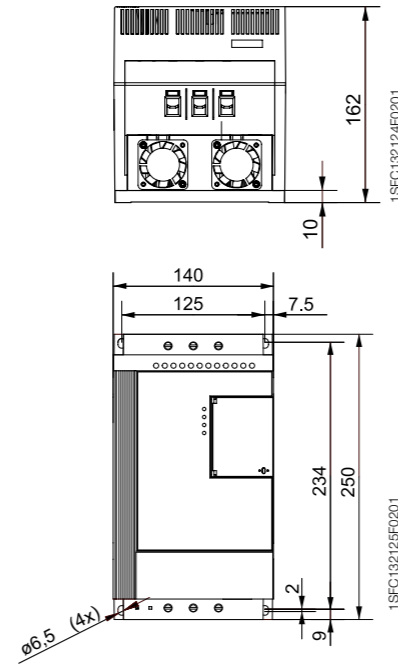
PSS18/30-500 ... 44/76-500



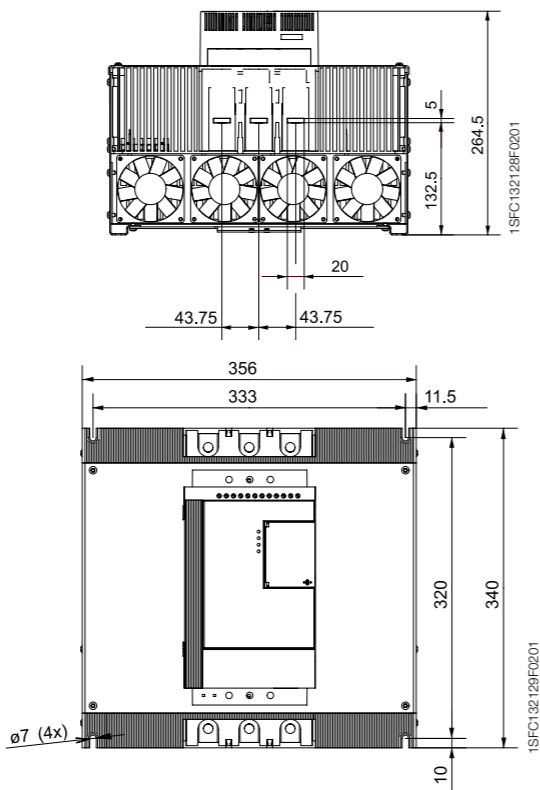
PSS85/147-500 ... 142/245-500  
PSS85/147-690 ... 142/245-690



PSS50/85-500 ... 72/124-500  
PSS18/30-690 ... 72/124-690

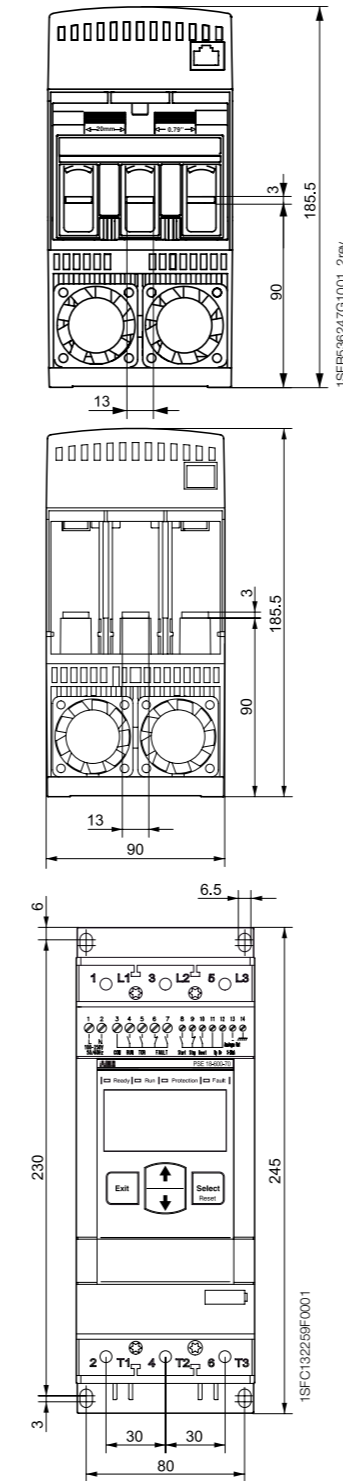


PSS 175/300-500 ... 300/515-500  
PSS 175/300-690 ... 300/515-690

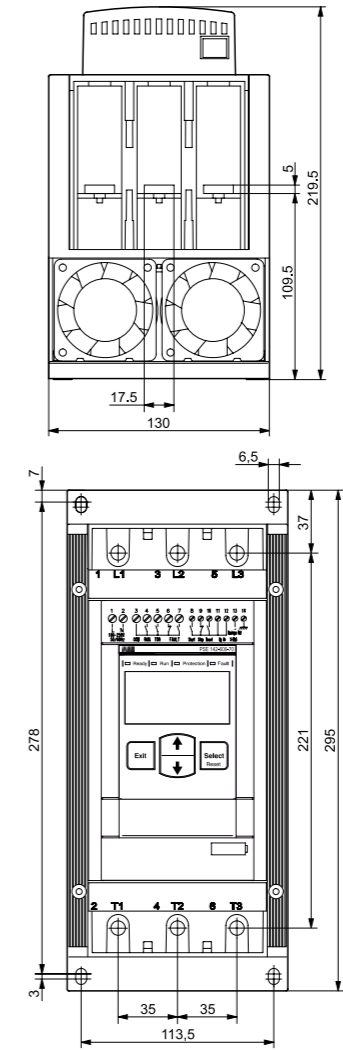


# Dimensions Softstarters, type PSE

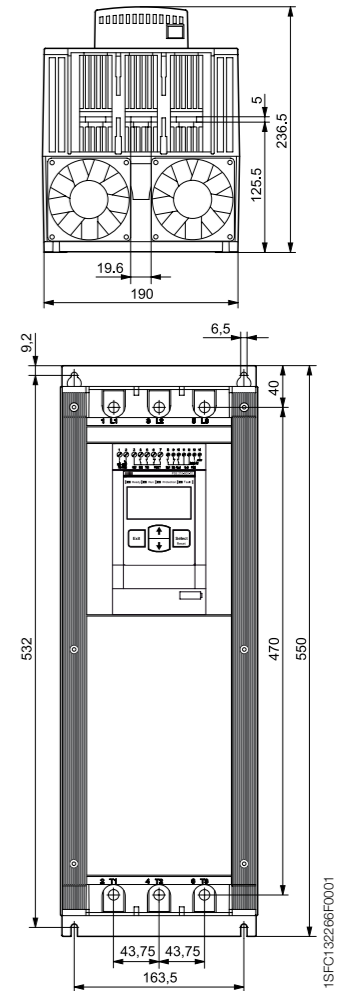
PSE18 ... 105



PSE142 ...170

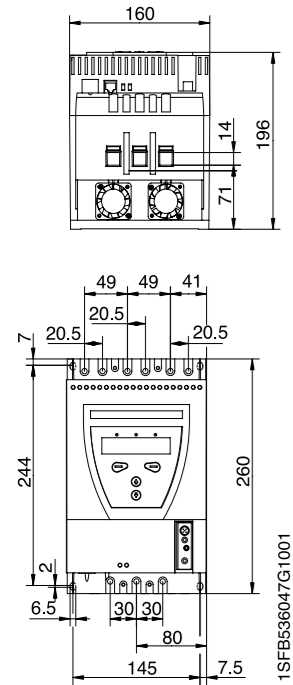


PSE210 ... 370



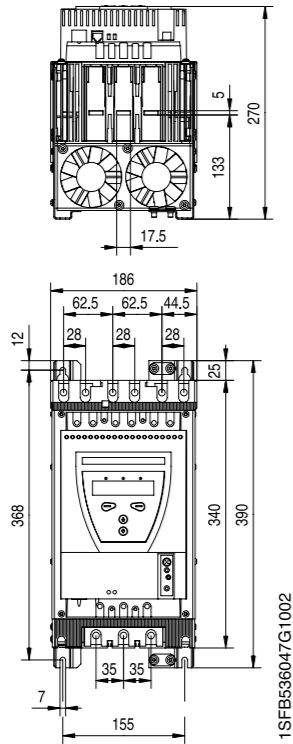
# Dimensions Softstarters, type PST and PSTB

PST30 ... 72



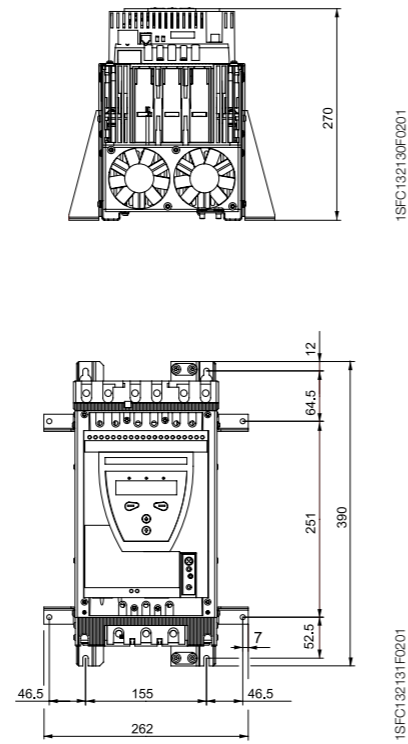
1SFB536047G1001

PST85 ...142



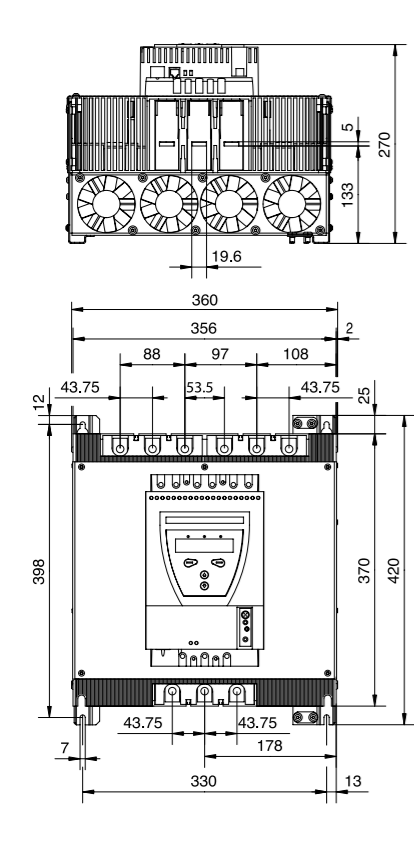
1SFB536047G1002

PST85 ...142 with marine kit



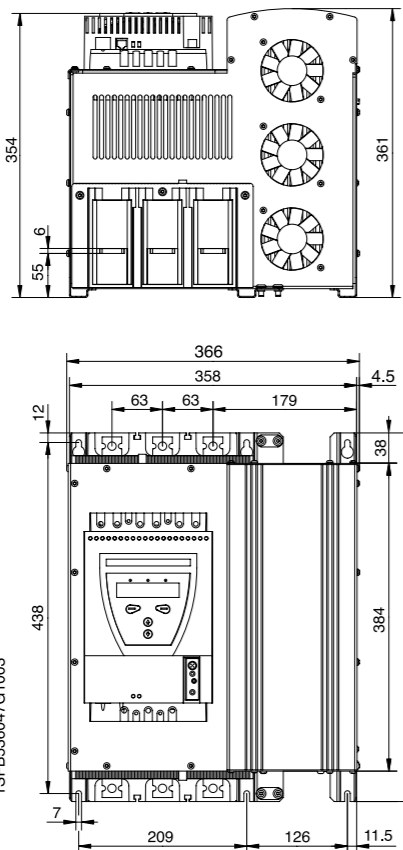
1SFC132131F0201

PST175 ... 300



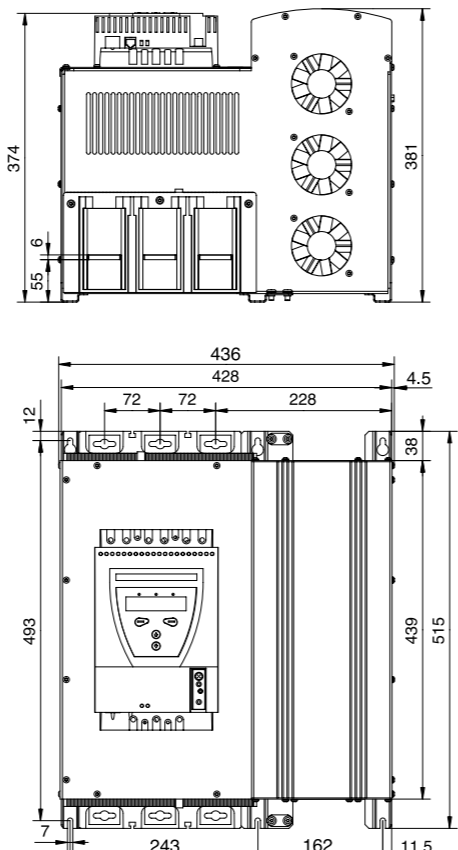
1SFB536047G1003

PSTB370 ... 470



1SFB536047G1004

PSTB570 ... 1050

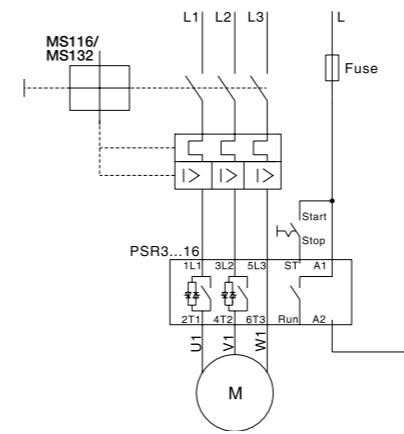


1SFB536047G1005

# Circuit diagrams Softstarters, type PSR

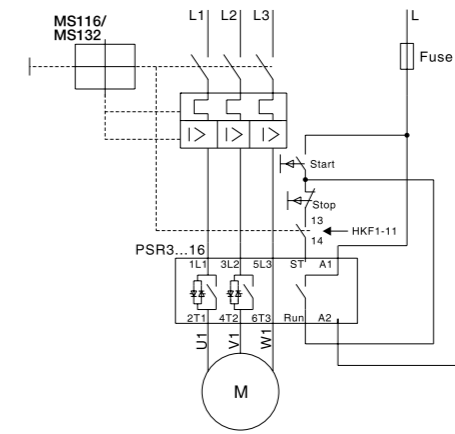
PSR3 ...16

A) With MMS



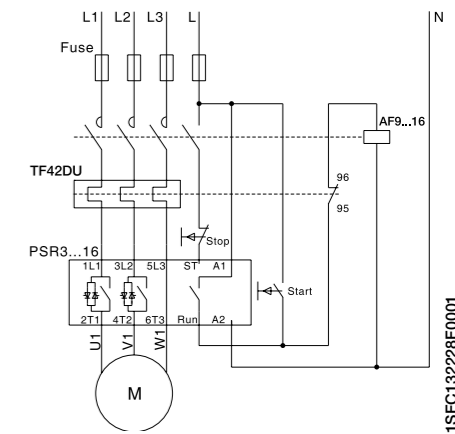
1SFC132226F0001

B) With MMS and auxiliary contact



1SFC132227F0001

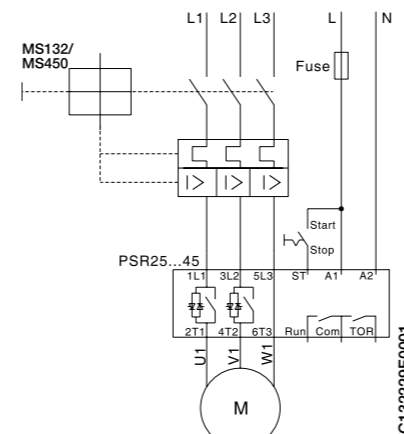
C) With fuses, contactor and O.L.



1SFC132228F0001

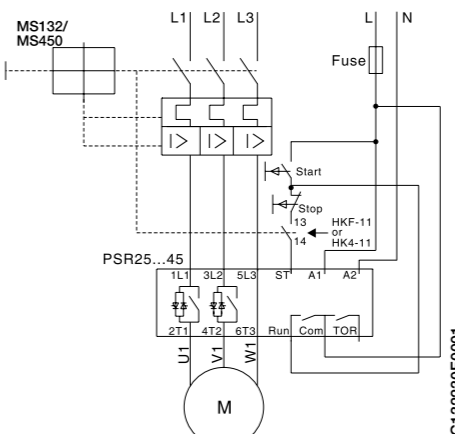
PSR25 ... 45

D) With MMS



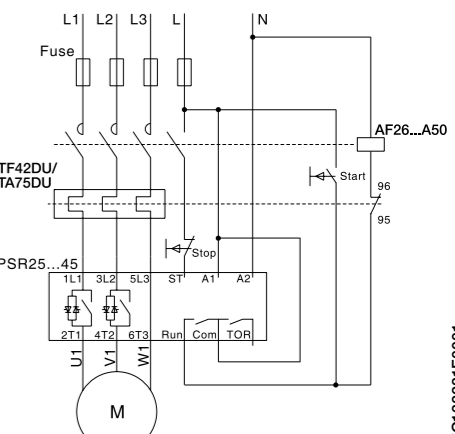
1SFC132229F0001

E) With MMS and auxiliary contact



1SFC132230F0001

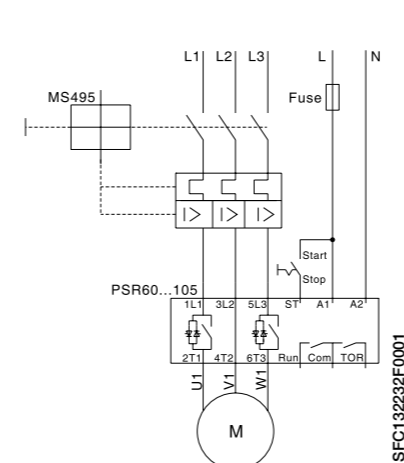
F) With fuses, contactor and O.L.



1SFC132231F0001

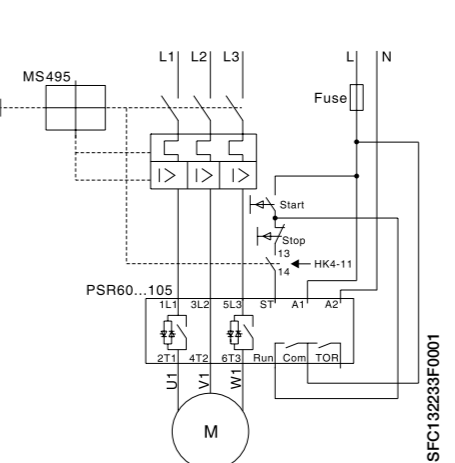
PSR60 ... 105

G) With MMS



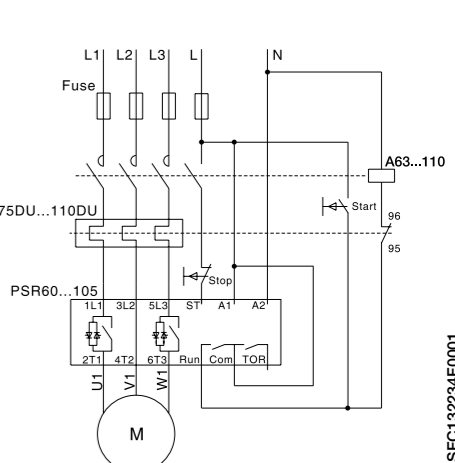
1SFC132232F0001

H) With MMS and auxiliary contact



1SFC132233F0001

I) With fuses, contactor and O.L.



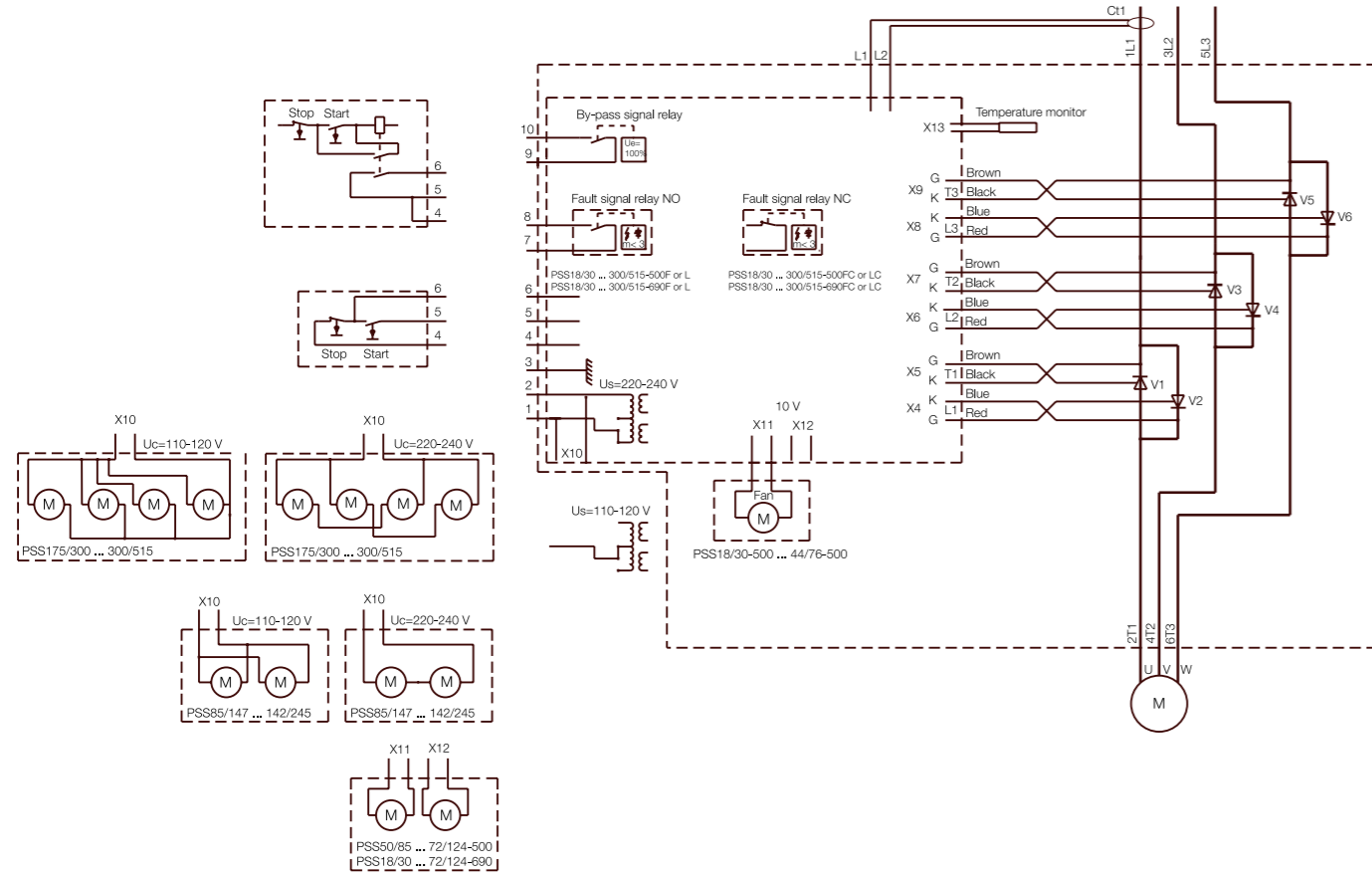
1SFC132234F0001

Dimensions in mm

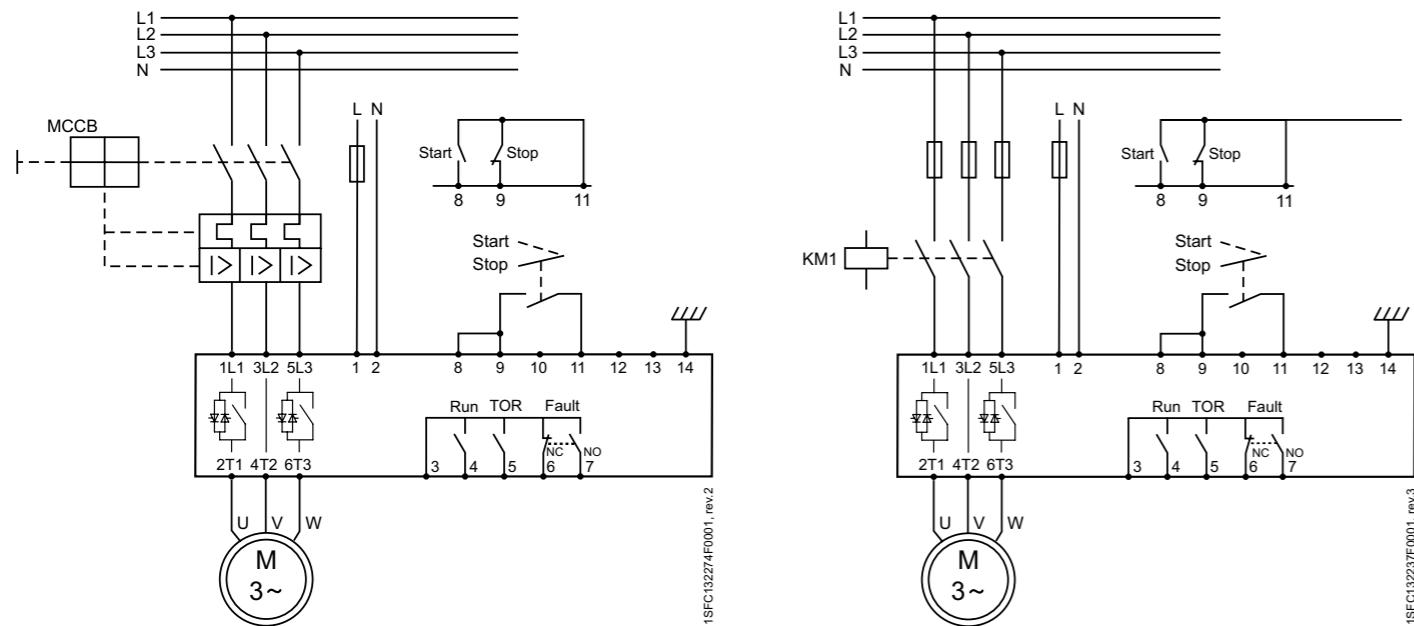
# Circuit diagrams

## Softstarters, type PSS and PSE

### PSS18/30...300/515



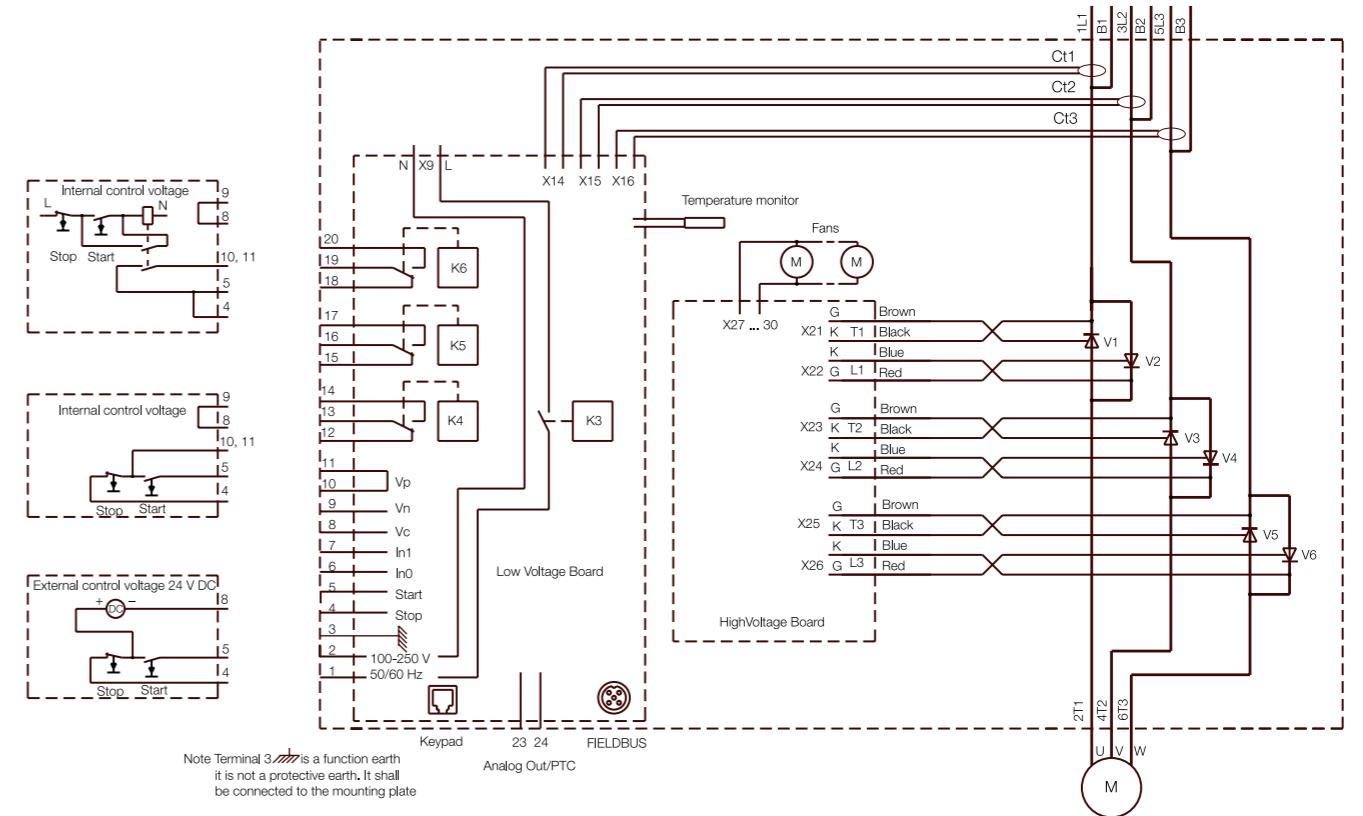
### PSE18 ... 370



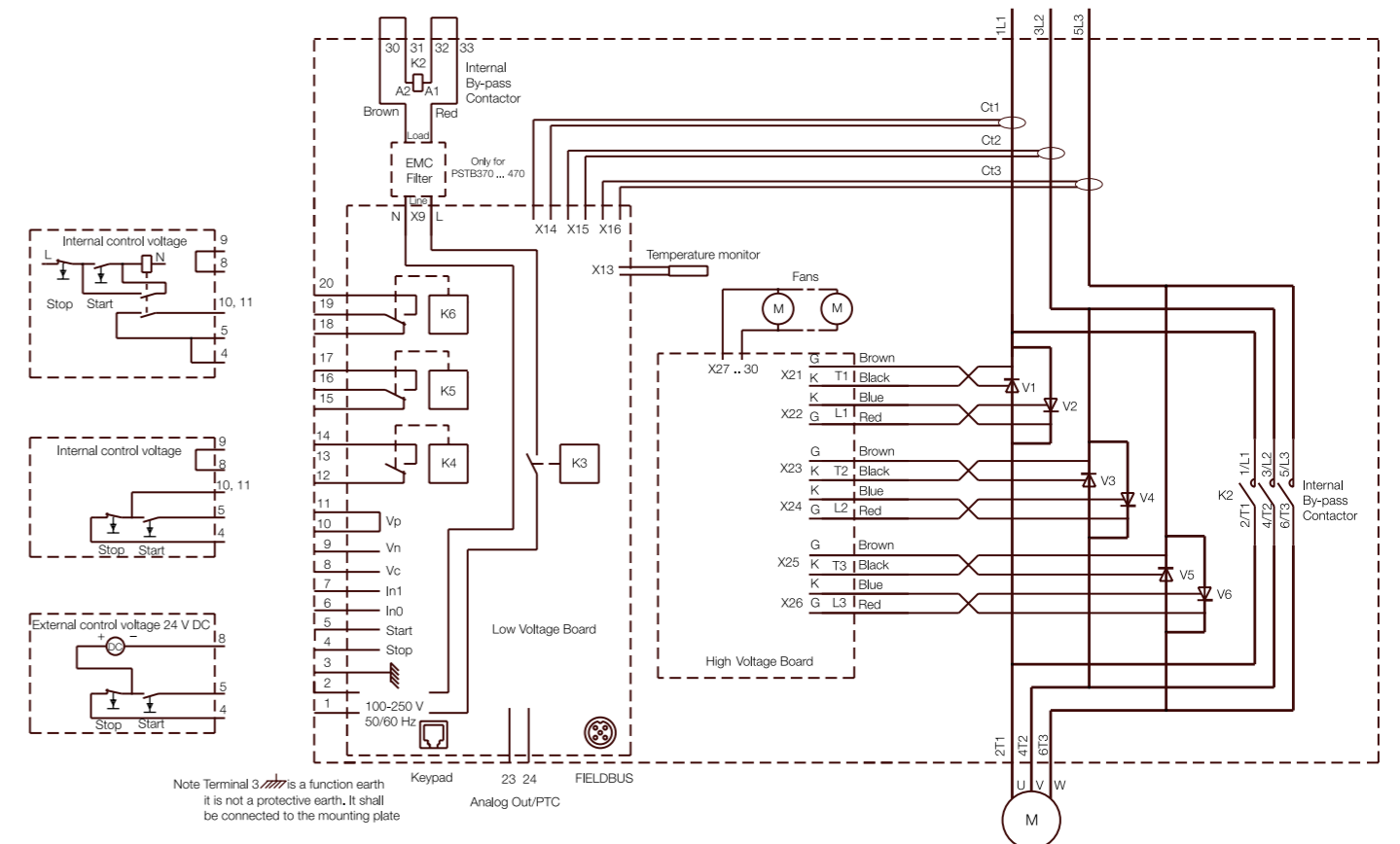
# Circuit diagrams

## Softstarters, type PST and PSTB

### PST30...300



### PSTB370...1050



For more circuit diagrams see [www.abb.com/lowvoltage](http://www.abb.com/lowvoltage), choose Control Products, Softstarters and Softstarters once more.

For more circuit diagrams see [www.abb.com/lowvoltage](http://www.abb.com/lowvoltage), choose Control Products, Softstarters and Softstarters once more.

# Softstarter selection tool and coordination tables

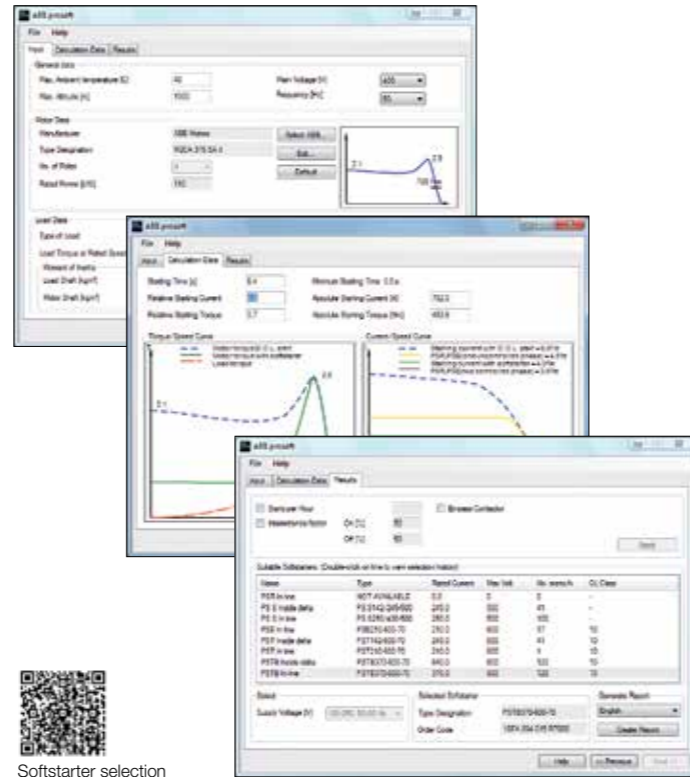
## Softstarter selection tool

The selection of a softstarter can be done according to this catalog. This will work fine in the majority of cases but by using the softstarter selection tool, a more optimized selection will be achieved. Especially in extremely heavy-duty applications with several minutes starting time, the use of the selection tool is recommended.

When using the softstarter selection tool, the selection is done in three steps, which can be seen as three different tabs in the program:

1. Input tab – Type in the general data and information about the motor and about the load. Try to use as accurate data as possible to get the most accurate results.
2. Calculation tab – Here it is possible to see how long the start will be depending on how high the current is. This tab will indicate which settings should be used and it might affect the selection.
3. The selection tab – Select which of the suggested softstarters to use. Here it is also possible to generate a report about the selection.

The softstarter selection tool can be downloaded from [www.abb.com/lowvoltage](http://www.abb.com/lowvoltage) by choosing Support "Online Product Selection Tools", Online Tools, Softstarters.



Softstarter selection

## Coordination tables

Coordination is a combination of electrical apparatus which is safe for the surroundings and personnel, even if an overload or a fault should occur in the system. ABB's coordination tables are available for different combinations of products. The softstarter coordination tables are available with different protection devices (MMS, MCCB and semiconductor fuses), different coordination types (type 1 and type 2), different kA-ratings and for different connections (In-line and inside delta).

The coordination tables can be found on [www.abb.com/lowvoltage](http://www.abb.com/lowvoltage) by clicking "Online Product Selection Tools" and "Coordination Tables for motor protection".



Coordination tables

## SoftstarterCare™ – Service Engineer Tool

The service engineer tool makes softstarter commissioning easier than it has ever been. With the tool, tuning of parameters can be made on a PC. By just plugging the PC to the softstarter, using ABB's cable (1SFA897201R1001), the parameter settings can be uploaded to the softstarter. This makes it very fast and easy to set up multiple PSE softstarters. Service Engineer Tool gives you:

- Access to all parameters on the HMI available on a PC
- Access to additional parameters that can't be reached from the HMI
- Access to the PSE event log
- PSE softstarter status information
- Trouble shooting form with pre-filled softstarter information
- Access to upgrade the softstarter firmware



SoftstarterCare 64bits



SoftstarterCare 32bits

# Certifications and approvals

The table below shows the approvals and certifications for different softstarters.

For approvals and/or certificates not listed below, please contact your local ABB sales office.

## Certifications and approvals

Abbreviation approved in	Certifications							Approvals: ship classification societies		
	CE EU	UL USA	cULus Canada USA	CSA Canada	CCC China	GOST Russia	ANCE Mexico	C-tick Australia	ABS American Bureau of Shipping	GL Germany
PSR3 ... PSR105	•	• <sup>1)</sup>	•	• <sup>1)</sup>	•	•	–	•	–	–
PSS18/30 ... PSS300/515	•	•	–	•	•	•	•	•	–	–
PSE18 ... PSE370	•	• <sup>1)</sup>	•	• <sup>1)</sup>	•	•	•	•	–	–
PST30 ... PSTB1050	•	• <sup>1)</sup>	•	• <sup>1)</sup>	•	•	•	•	•	•

• **Standard design approved**, the company labels bear the certification mark when this is required.

1) Covered by cULus certificate

## Directives and standards

No. 2006/95/EC	Low voltage equipment
No. 2004/108/EC	Electromagnetic compatibility
EN 60947-1	Low-voltage switchgear and controlgear - Part 1: General rules
EN 60947-4-2	AC semiconductor motor controllers and starters
UL 508	Industrial Control Equipment
CSA C22.2 No 14	Industrial Control Equipment

## Material available on [www.abb.com/lowvoltage](http://www.abb.com/lowvoltage)

The following material is a selection of all softstarter related material that is available on [www.abb.com/lowvoltage](http://www.abb.com/lowvoltage). Just click on "Control Products", "Softstarters", "Softstarters".

- Product catalogs and brochures
- Certificates and approvals
- Circuit diagrams and application diagrams
- Dimension drawings (2D and 3D)
- Manuals
- eds- and gsd-files for fieldbus connection
- Softstarter selection tool





# Contact us

**ABB AB**

**Low Voltage Products**

**Control Products**

SE-721 61 VÄSTERÅS, Sweden

[www.abb.com/lowvoltage](http://www.abb.com/lowvoltage)

**Note**

We reserve the right to make technical changes or modify the contents of this document without prior notice. With regard to purchase orders, the agreed particulars shall prevail. ABB does not accept any responsibility whatsoever for potential errors or possible lack of information in this document.

We reserve all rights in this document and in the subject matter and illustrations contained therein. Any reproduction, disclosure to third parties or utilization of its contents - in whole or in parts - is forbidden without prior written consent of ABB.

Copyright© 2013 ABB

All rights reserved



To get more information, install QR code reader on your mobile device, scan the code and see more.